

Important safeguard

- Use this appliance only as described in this instruction manual.

As with any electrical appliance, the instructions aim to cover as many situations as possible. Caution and common sense should be used when operating and installing this air conditioner.

- This appliance has been manufactured to cool and dehumidify domestic environments and must not be used for other purposes.
- It is dangerous to alter or modify the unit's characteristics in any way.
- The appliance must be installed in accordance with the relevant national legislation.
- Should repairs be necessary, contact the nearest authorized Repair Service Center. Unauthorized servicing can be dangerous.
- The appliance is not intended for use by persons (including children) with reduced physical, sensory or mental capabilities, or lack of experience and knowledge, unless they have been given supervision or instruction concerning use of the appliance by a person responsible for their safety.
Children should be supervised to ensure that they do not play with the appliance.
- If the power cable is damaged, it must be replaced by the manufacturer or an authorized technical service centre in order to avoid all risk.
- Always ensure the appliance is plugged into a grounded 3-prong outlet. If you have any doubts check with a qualified electrician.
- Do not use extension cables.
- Before cleaning or maintenance operations, always unplug the unit from the outlet.
- Do not pull on or place strain on the power cord when moving the appliance.
- The appliance should not be installed where the atmosphere may contain combustible gases, oil or sulphur, or near heat sources.
- Do not rest hot or heavy objects on the appliance.
- Clean the filters at least once a week.
- Avoid using heaters near the unit.

- The unit should be transported in a vertical position. If this is not possible secure the unit at an angle, do not lie it horizontally.
- Before transporting the unit, drain the unit. After transportation, wait at least 6 hours before switching the unit on.
- The packaging materials can be recycled. You are therefore recommended to place them in the special containers for differentiated waste collection.
- This appliance is fitted with a special safety device. When the compressor switches off, this device prevents it from switching on again for at least 3 minutes.
- **WARNING:** Changes or modifications not expressly approved by the party responsible for compliance could void the user's authority to operate the equipment.

Specific warnings for appliances with R410A refrigerant gas

R410A refrigerant gas conforms to EC regulations on the environment.

Avoid perforating the refrigerant circuit of the appliance.

ENVIRONMENTAL INFORMATION:

This unit contains fluorinated greenhouse gases covered by the Kyoto Protocol.

Maintenance and disposal must be carried out by qualified personnel only (R410A, GWP=1975).

Save these instructions

This product is for household only

INTRODUCTION

Thank you for choosing a De'Longhi product. Please take a few moments to read the instructions to avoid risks or damage to the appliance.

DESCRIPTION

Description of the appliance (see page 3 - A)

- A1 air outlet grille
- A2 control panel
- A3 handles
- A4 castor wheels
- A5 BioSilver filter
- A6 air intake grille
- A7 air exhaust hose housing
- A8 air intake grille
- A9 power cable
- A10 drainage hose with 2 caps
- A11 remote control signal receiver
- A12 remote control compartment

Descrizione of the accessories (see page 3 - B)

- B1 wall flange with cap
- B2 air exhaust hose
- B3 hose adaptor
- B4 accessory for wall mounting
- B5 window bracket with pins
- B6 additional window bracket
- B7 window outlet
- B8 remote control
- B9 end of season dust cover
- B10 end of season accessories bag

Electrical connection

Before plugging the appliance into the the electrical receptacle, check that:

- The outlet's power supply corresponds to the value indicated on the rating label on the back of the appliance;
- The outlet and electrical circuit are adequate for the appliance;
- The outlet is a 3-hole grounded outlet (⚡). If this is not the case, you must choose another outlet. Failure to follow these important safety instructions absolves the manufacturer of all liability.

If it becomes necessary, the power cable must be replaced by a qualified professional only.

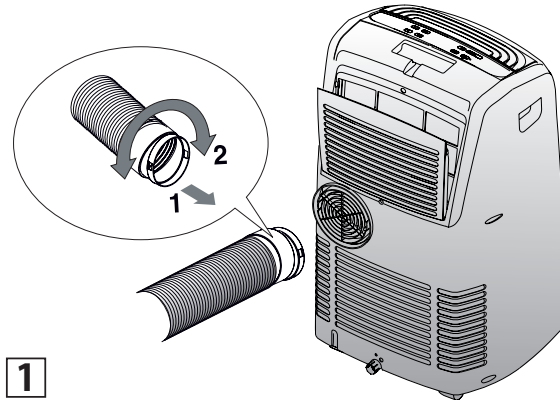
The instructions below will enable you to prepare your air conditioner for operation as efficiently as possible. Before use, make sure the air intake and outlet grilles are unobstructed.

USE

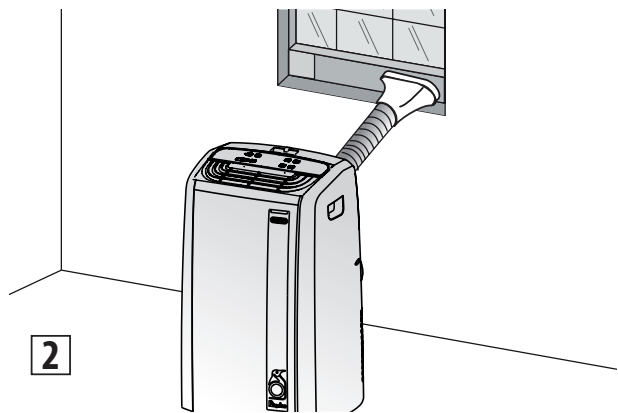
AIR CONDITIONING WITHOUT INSTALLATION

For optimal results set-up in a double-hung window:

- 1) Place the bracket in the window sill, extend the bracket fully within the window frame, fix the bracket by using the pin then lower the window onto the bracket, (should the window bracket be too large for the window. The plastic can be cut with a saw by a qualified professional.)
- 2) Screw the hose adaptor **B3** to the hose's end **B2**.
- 3) Fit the air exhaust hose in the housing at the back of the appliance. Insert it as shown in figure 1.

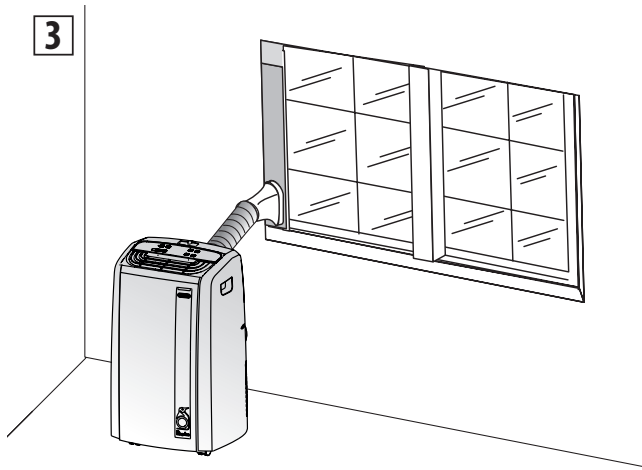


- 4) Connect the window outlet **B7** to the other end of the exhaust hose.
- 5) Insert the window outlet end of the exhaust hose into the slot of the window bracket (fig. 2).

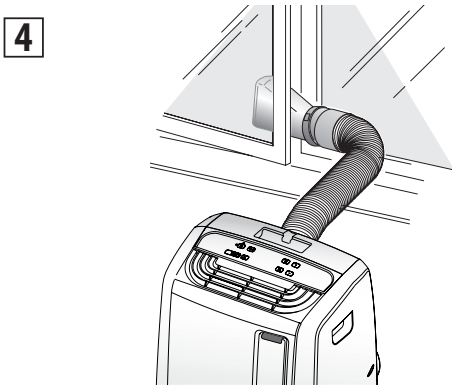


Other set-up methods:

- Thanks to the locking pins, it's possible to use the window bracket also for sliding windows. Position the hole of the bracket so to allow a correct installation of the exhaust hose (see figure 3).



- If you have a casement window (figure 4) follow steps 2 & 3 and place the window outlet **B7** outside the window to exhaust the hot air.



For help with installation, operation, and for all accessories and spare/replacement parts, please contact our toll free customer service call center at:

1-800-322-3848 [US only]

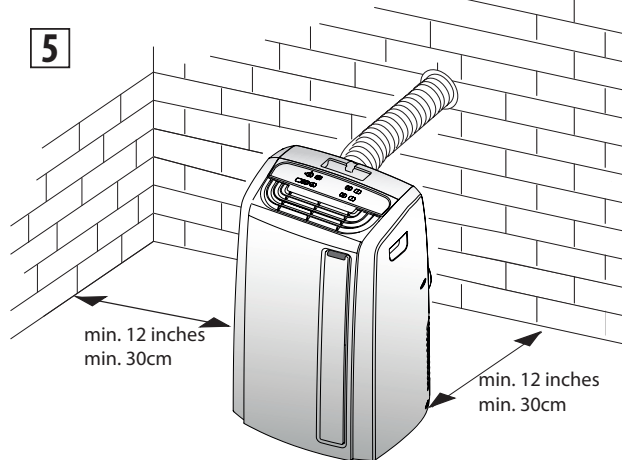
1-888-335-6644 [Canada only]

01-800-711-8805 (Mexico only)

or log onto our website at www.delonghi.com

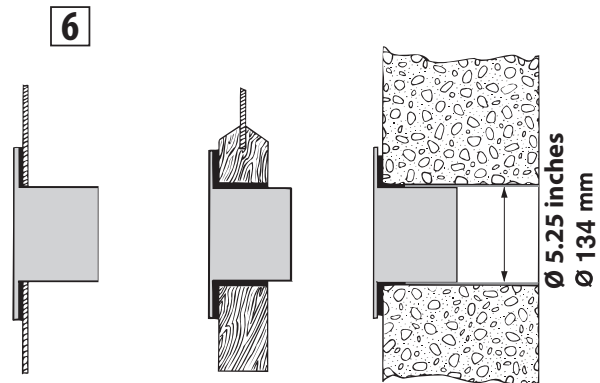
SEMI-PERMANENT INSTALLATION

If required, your appliance can also be installed semi-permanently (Fig. 5).



Proceed as follows:

- Drill a hole \varnothing 5,25 inches (134 mm) in an outside wall or through a window pane. Respect the dimensions and height of the hole given in figure 6 and 7.

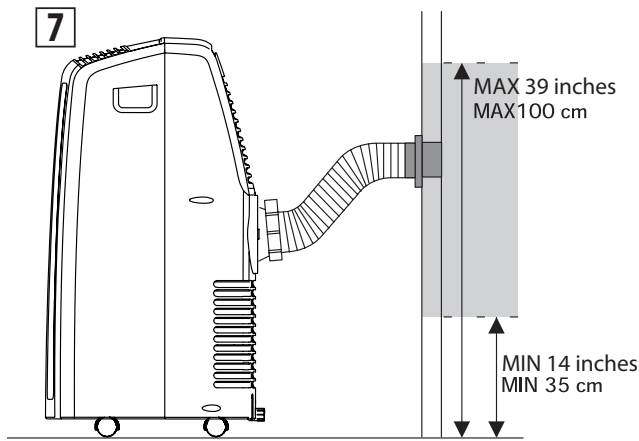


in the window panel

in the wooden kickboard of a French window

in the wall: you are recommended to insulate the section of wall using suitable insulation.

- Fit the wall flange **B1** into the hole.
- Fit the air exhaust hose **B2** in the relevant housing located on the rear side of the appliance. (fig. 1).
- Fit the end of the hose **B2** to the wall flange **B1** as shown in fig. 7.
- When the hose **B2** is not connected, the drilled hole can be closed with the flange cap **B1**.

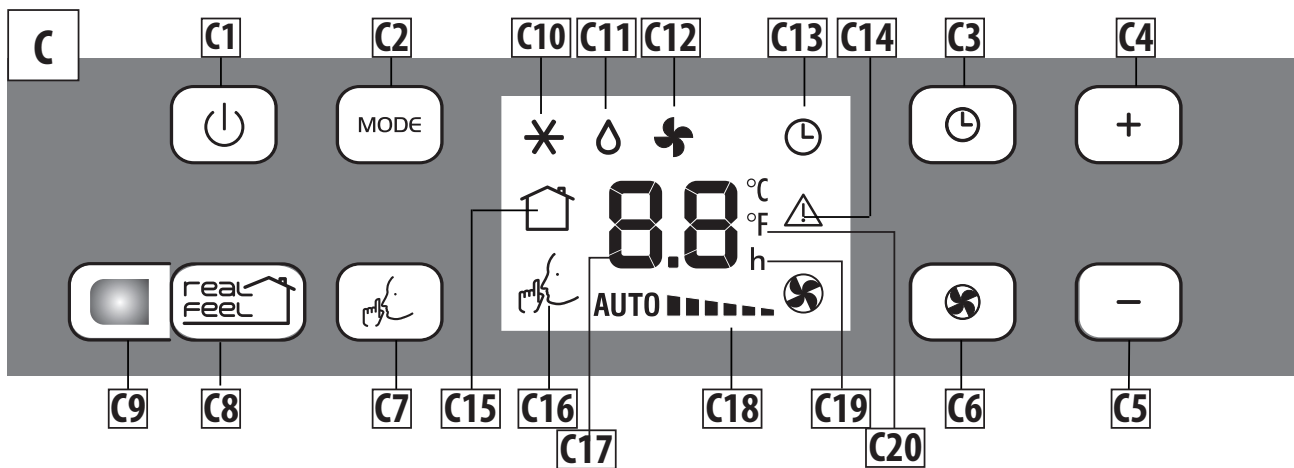


NOTE: As special tools are required for installation, we suggest you have the appliance installed by specialized personnel.

NOTE: When installing the air conditioner semi-permanently, you should leave a door slightly open little as 1/2" (1 cm) to guarantee correct ventilation and room pressure.

NOTE: Keep the air hoses as short and free of curves as possible to avoid constrictions.

CONTROL PANEL



DESCRIPTION OF THE CONTROL PANEL (C)

- C1** ON/STAND-BY button
- C2** **MODE** selection button (conditioning, dehumidifying, fan)
- C3** Timer button
- C4** Increase temperature/programmed operation time button
- C5** Decrease temperature/programmed operation time button
- C6** Fan speed selection button (LOW/MED/HIGH/AUTO)
- C7** WHISPER COOL selection button
- C8** REAL FEEL selection button
- C9** REAL FEEL light
- C10** Air-conditioning symbol
- C11** Dehumidifying symbol
- C12** Fan symbol

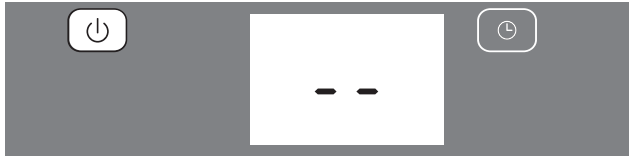
- C13** Timer symbol
- C14** Alarm symbol
- C15** REAL FEEL symbol
- C16** WHISPER COOL symbol
- C17** Temperature value set, programmed delayed ON/OFF time
- C18** Fan speed indicator
- C19** Timer indicator
- C20** Temperature selected scale indicator

Note: The panel buttons are backlit but only the buttons relevant to the active function will be on.

After few seconds of the control panel inactivity, its brightness will be automatically reduced and in the next few minutes it will be further reduced.

OPERATING FROM THE CONTROL PANEL

TURNING THE APPLIANCE ON/OFF



Before plugging the appliance check the caps on back of the unit are correctly inserted on drainage hose A10.

Plug the appliance into electrical receptacle. Two lines appear on the display indicating that the appliance is in stand-by and the buttons and light on.

Touch button (C1) to switch the appliance on.

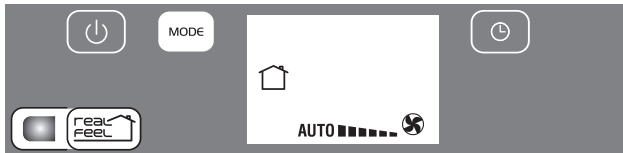
When turned on, the air conditioner starts operating in the same mode as when it was turned off.

Note: If you don't switch on the appliance, after a few minutes, the and buttons switch off and the display fades to reduce energy consumption.

To turn off the appliance, touch the button, then unplug the appliance.

Note: Never switch off the appliance by unplugging it: always use the button, wait a few minutes and then unplug. Doing so, the appliance will run a check of the operating conditions.

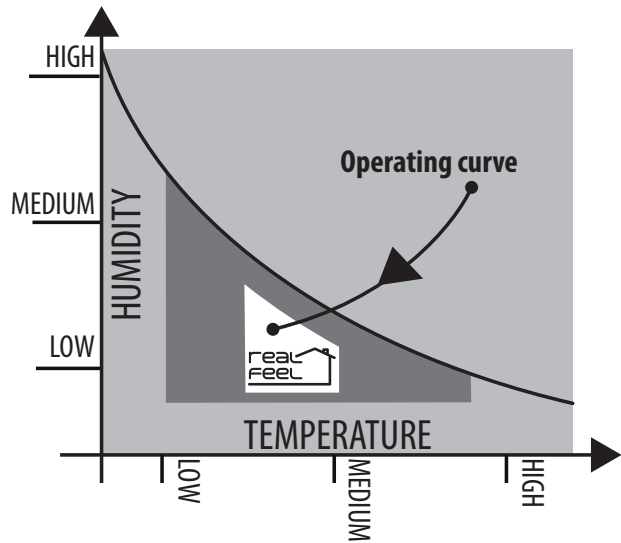
REAL FEEL FUNCTION



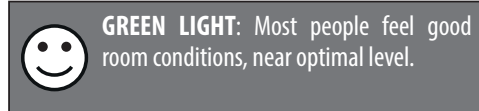
REAL FEEL is the innovative De'Longhi technology that works simultaneously on temperature reduction and humidity control, securing best comfort level.

With traditional systems, during working time, optimal comfort conditions may be reached but not secured over time. With REAL FEEL, once optimal comfort is reached, PAC automatically modulates compressor action and fan speed, to keep it over time.

To activate the function, touch button.

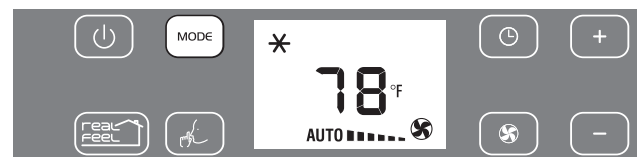


REAL FEEL light (C9) changes color when approaching the best comfort level (see following diagram).



- The well-being feeling is a subjective condition: for this reason, different people may judge differently the same environmental conditions.
- In particularly severe environmental conditions (large size of the environment, high temperature or humidity outside, poor insulation of the room, too many of people or strong heat load in the room, strong exposure to the sun ...) this device may not be able to reach the best comfort level.

AIR CONDITIONING MODE



Ideal for hot muggy weather when you need to cool and dehumidify the room. To set this mode:

- Touch repeatedly the **MODE** button until the conditioning symbol is displayed: the display shows the desired temperature.
- Press + (C4) or - (C5) buttons to adjust the desired temperature.
- Select the fan speed by pressing the button (C6).

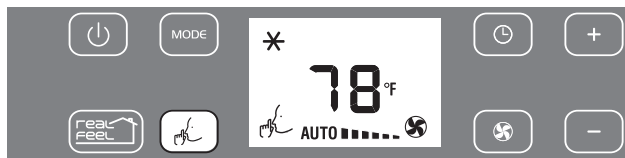
You can choose:

- Minimum speed: for silent operation.
- Medium speed: reduces noise levels while maintaining a comfortable temperature.
- Maximum speed: to achieve the target temperature as rapidly as possible.

AUTO the appliance automatically selects the most suitable fan speed in relation to the temperature set on the digital display and current room temperature.

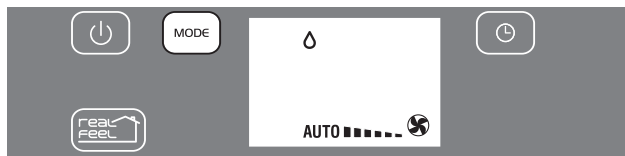
The most suitable indoor temperature for the room during the summer varies from 75°F to 81°F (24 to 27°C). You are recommended, however, not to set a temperature much below the outdoor temperature.

WHISPER COOL (available in conditioning mode only)



By activating this function, the operating noise is further reduced. To activate it, touch the **WHISPER COOL** button (C7). The display shows the relative symbol (C16).

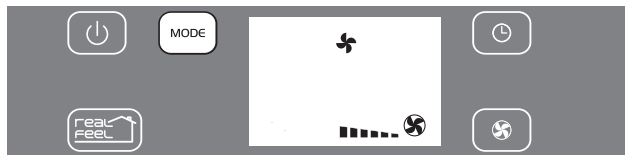
DEHUMIDIFYING MODE



Ideal to reduce room humidity (spring and autumn, damp rooms, rainy periods, etc). In dehumidifying mode, the appliance **MUST** be set-up in the same way as for air conditioning, with the air exhaust hose (B2) attached to enable the moisture to be discharged outside. To set this mode:

- Touch repeatedly the **MODE** button until the dehumidifying symbol is displayed.

FAN MODE



When using the appliance in this mode, the air exhaust hose (B2) does not need to be connected.

To set this mode:

- Touch repeatedly the **MODE** button until the fan symbol is displayed.
- Select the fan speed by pressing the fan speed button (C6).

You can choose:

- Minimum speed: for silent operation.

Medium speed: reduces noise levels but still maintains a good fan power.

Maximum speed: for maximum fan power.

CHANGING TEMPERATURE SCALE



The temperature can be displayed in °F or °C. To change the temperature scale, turn off the unit by touching the power button, then keep touched the **MODE** button for approximately 20 seconds. The appliance emits a beep to confirm.

SETTING THE TIMER



The timer can be used to delay appliance start up or shutdown. This avoids wasting electricity by not operating the appliance when it is not needed.

How to program delayed start up

- Plug the appliance into an electrical receptacle and turn the unit to standby.
- Touch the timer button (C3): the timer symbol (C13) and the number of hours come on.
- Use the + (C4) or - (C5) buttons to set the number of hours delay before the appliance comes on.
- The appliance works using the mode previously set. The appliance can be set to come on within the next 24 hours.
- A few second after set, the setting is memorised, the timer symbol is lit and the display shows that the appliance is in standby.

To delete the setting, touch two times the timer button (C3). The timer symbol (C13) switches off.

How to program delayed shutdown

- With the air conditioning on, in every mode, it is possible to set the delayed shutdown.
- Touch the Timer (C3) button: the timer symbol (C13) and the hours switch on.
- Use the + (C4) or - (C5) buttons to set the number of hours delay before the appliance turns off.

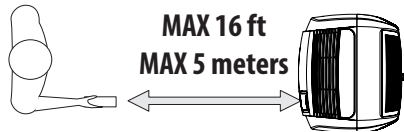
A few second after set, the setting is memorised, the timer symbol is lit and the display shows the current mode.

At the end of the set time the appliance automatically turns in standby mode. To delete the setting, touch two times the timer button (C3). The timer symbol (C13) switches off.

OPERATING FROM THE REMOTE CONTROL

USING THE REMOTE CONTROL

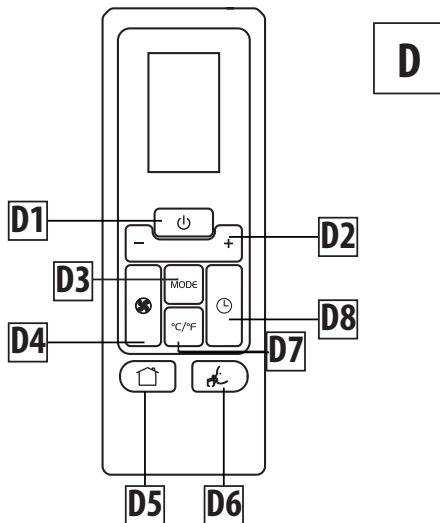
- Point the remote control at the receiver (A11) on the air conditioner. The remote control must be no more than 16 ft (5 meters) away from the appliance (without obstacles between the remote control and the receiver).
- The remote control must be handled with extreme care. Do not drop it or expose it to direct sunlight or sources of heat.



NOTE: The remote control can be safely stored in the appropriate compartment A12 (see figure).

DESCRIPTION OF THE REMOTE CONTROL (D)

- D1) ON/STAND-BY button
- D2) Increase/decrease temperature/programmed operation
- D3) "MODE" selection button
- D4) Fan speed selection button
- D5) **REAL FEEL** selection button
- D6) **WHISPER COOL** selection button
- D7) Switch button °C/°F
- D8) **TIMER** button



INSERTING OR REPLACING THE BATTERIES



- Remove the cover on the rear of the remote control;
- Replace the old batteries with two new R03 "AAA" 1.5V batteries, inserting them correctly (see the instructions inside the battery compartment);
- Replace the cover.


If the remote control unit is replaced or discarded, the batteries must be removed and disposed of in accordance with current legislation as they are harmful to the environment. Do not mix

old and new batteries.

Do not mix alkaline, standard (carbon-zinc) or rechargeable (nickel-cadmium) batteries. Do not dispose of batteries in fire. Batteries may explode or leak. If the remote control is not be used for a certain length of time, remove the batteries.

TURNING THE APPLIANCE ON

- Plug into the electrical receptacle.
- Press the  button (D1) (when turned on, the air conditioner starts operating in the same mode as when it was turned off).
- To switch the appliance off, press button (D1) , then remove the plug.

NOTE: Never switch the appliance off by removing the plug. Always switch it off by pushing on the  button and waiting few minutes before removing the plug. Only in this way the appliance will perform the standard checkings.

FUNCTIONS SELECTION

The controls on the remote control are the same as those on the control panel of the appliance (C). You should therefore refer to the instructions in the chapter "OPERATING FROM THE CONTROL PANEL" to select the desired functions. Press button D7, to switch the temperature display from °C to °F and vice versa.

Note:

- This equipment has been tested and found to comply with the limits for a Class B digital device, pursuant to part 15 of the FCC Rules. These limits are designed to provide reasonable protection against harmful interference in a residential installation.
- This equipment generates, uses and can radiate radio frequency energy and, if not installed and used in accordance with the instructions, may cause harmful interference to radio communications. However, there is no guarantee that interference will not occur in a particular installation. If this equipment does cause harmful interference to radio or television reception, which can be determined by turning the equipment off and on, the user is encouraged to try to correct the interference by one or more of the following measures:
 - Reorient or relocate the receiving antenna.
 - Increase the separation between the equipment and receiver.
 - Connect the equipment into an outlet on a circuit different from that to which the receiver is connected.
 - Consult the dealer or an experienced radio/TV technician

for help.

Changes or modifications not expressly approved by the party responsible for compliance could void the user's authority to operate the equipment.




- This device complies with Part 15 of the FCC Rules. Operation is subject to the following two conditions: (1) this de-

vice may not cause harmful interference, and (2) this device must accept any interference received, including interference that may cause undesired operation.

- This Class B digital apparatus complies with Canadian CAN ICES-3 (B) / NMB-3 (B).

SELF-DIAGNOSIS

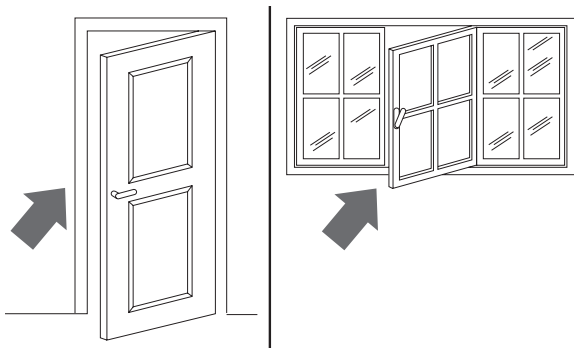
The appliance has a self diagnosis system to identify a number of malfunctions. Error messages are displayed on the appliance display.

IF ... IS DISPLAYED,	IF ... IS DISPLAYED,	IF ... IS DISPLAYED,
		
"Low Temperature" (frost prevention)	Probe Failure (Probe damaged)	"High Level" (Internal tray full)
..WHAT SHOULD I DO? The appliance is fitted with a frost protection device to avoid excessive formation of ice. The appliance starts up again automatically when the defrosting process is completed.	..WHAT SHOULD I DO? If this is displayed, contact your local authorized service center.	..WHAT SHOULD I DO? Empty the internal safety tank following the instructions in the section "End of season operations". If HL alarm reoccurs frequently, contact your local authorized service center.

TIPS FOR CORRECT USE

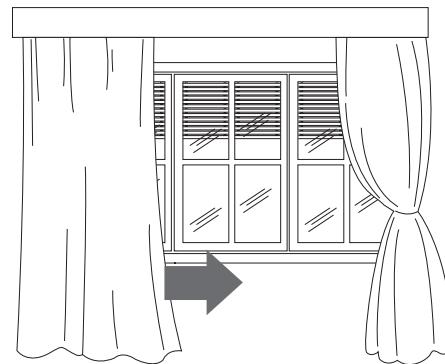
To ensure optimal results from your air conditioner, follow these recommendations:

- close the windows and doors in the room to be air conditioned. When installing the air conditioner semi-permanently, you should leave a door slightly open (as little as 1/2" (1 cm) to guarantee proper ventilation.



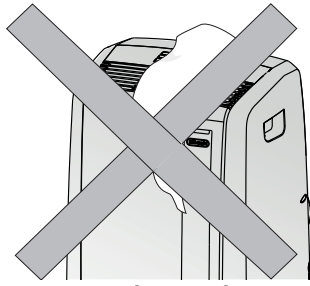
Close doors and windows

- Never use the appliance in very damp rooms (laundries for example).
- Protect the room from direct exposure to the sun by partially closing curtains and/or blinds to make the appliance much more economical to run.



Close blinds or curtains


- Never use the appliance outdoors.
- Make sure there are no heat sources in the room.
- make sure the air conditioner is standing on a level surface.



do not cover the appliance

- Never rest objects of any kind on the air conditioner.
- Never obstruct the air intake or outlet grilles.

CLEANING

Before cleaning or maintenance, turn the appliance off by touching the  button, then unplug from the electrical receptacle.

CLEANING THE CABINET

You should clean the appliance with a slightly damp cloth then dry with a dry cloth. For safety reasons, never wash the air conditioner with water.

Precautions

Never use petrol, alcohol or solvents to clean the appliance. Never spray insecticide liquids or similar.

CLEANING THE BIO SILVER AIR FILTER

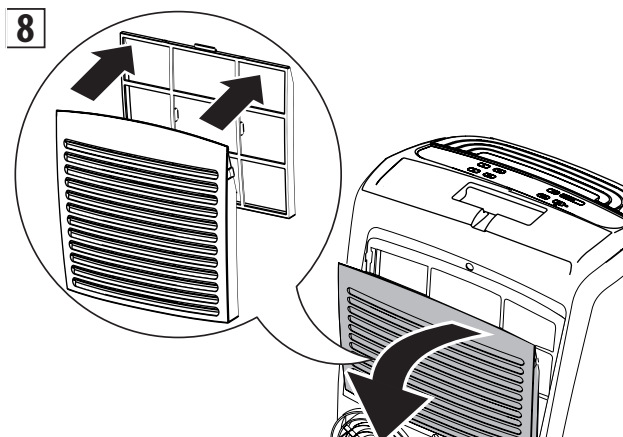
If the filter is dirty, air circulation is compromised and the efficiency of the appliance decreases.

It is therefore good practice to clean the filter at regular intervals. The frequency depends on the duration and conditions of operation.

If the unit is used constantly or systematically, you are recommended to clean the filter once a week.

The filter is housed in the intake grille.

To clean the filter, extract as shown in fig. 8



Use a vacuum cleaner to remove the dust collected on the filter. If it is very dirty, immerse in warm water and rinse a number of times. The water should never be hotter than 104°F (40°C). After washing the filter, allow it to dry completely before repositioning it.

The BioSilver filter helps capture dust and pollen and helps reduce the growth of bacteria and mold on the filter.

START OF SEASON CHECKS

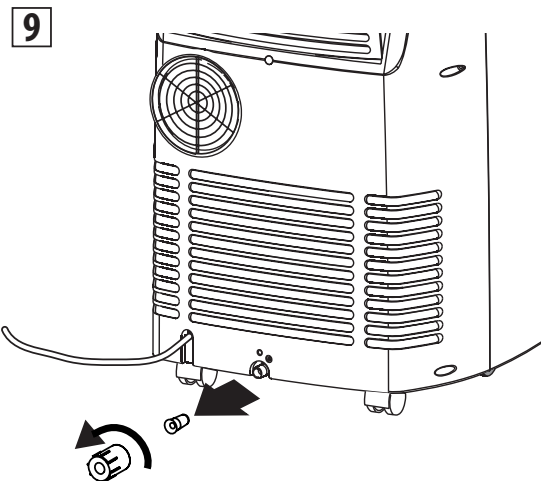
Make sure the power cable and plug are undamaged and the ground connection is efficient.

Follow the installation instructions precisely.

END OF SEASON OPERATIONS

To drain all water from the circuit, remove the external cap by unscrewing it in the anticlockwise direction then, remove the internal cap from the drainage on the back of the appliance and allow the water to drain out into a basin (fig. 9).

In order to properly storage the appliance at the end of the season, we suggest you cover it with the supplied end of season dust cover **B9** and you put the accessories in the relevant end of season accessories bag **B10**.



When the appliance is empty, replace the caps.

Clean the filter and dry thoroughly before putting back.

TECHNICAL SPECIFICATIONS

Power supply voltage	see rating label
Max. absorbed power during air conditioning	"
Refrigerant	"
Cooling capacity	"

LIMIT CONDITIONS

Room temperature for air conditioning	64 ÷ 104°F 18 ÷ 40°C
---------------------------------------	----------------------

Transport, filling, cleaning, recovery and disposal of refrigerant should be performed by a technical service centre appointed by the manufacturer only.

The appliance should be disposed of by a specialist centre appointed by the manufacturer only.

TO AVOID DAMAGE TO THE UNIT:

NEVER TRANSPORT OR TURN THE APPLIANCE UPSIDE DOWN OR ON ITS SIDE. IF THIS OCCURS, WAIT 6 HOURS BEFORE TURNING THE APPLIANCE ON, 24 HOURS IS RECOMMENDED. After the unit has been on its side, oil needs to return to the compressor to ensure proper function. Without allowing the unit this time (6-24 hours) the unit may function for only a short time, and then the compressor will break down from lack of oil.

ELECTRICAL CONNECTION

This appliance is equipped with a 3 prong grounded plug. The plug must be connected into an outlet that is properly installed and grounded in the accordance with all local codes and ordinances. Do not modify the plug provided with the appliance. If it will not fit the outlet, have a proper outlet installed by a qualified electrician or relocate the unit to a proper outlet. If the household electrical supply does not meet the above specifications, or if you are not sure your home has an effective electrical ground, have a qualified electrician or your local electrical utility company check it and correct any problems.

SAFETY PLUG

The appliance is fitted with a safety plug to protect the power cable.

If power is cut off, unplug from the outlet and make sure the power cable is undamaged.

If the cable is damaged, call the service center immediately.

If power cuts off frequently and the power cable is undamaged, contact a qualified electrician.

OPERATION OF THE SAFETY PLUG


If the safety device incorporated in the plug trips and cuts off the power supply, check that the power cable and plug are not damaged.

If the power cable is undamaged, to restore operation press the "RESET" button.

To verify correct operation of the plug, press the "TEST" button periodically and make sure the appliance disconnects. If this is not the case, contact the service center.

To restore operation, press the "RESET" button.

TROUBLESHOOTING

PROBLEM	CAUSE	SOLUTION
The air conditioner does not come on	it is not plugged into the the electrical receptacle	plug into the electrical receptacle
	there is no current	wait
	the internal safety device has tripped	call the Service Center
The air conditioner works for a short time only	there are bends or kinks in the air exhaust hose	position the air hose correctly, keeping it as short and free of curves as possible to avoid bottlenecks
	something is preventing the air from being discharged	check and remove any obstacles obstructing air discharge
The air conditioner works, but does not cool the room	windows, doors and/or curtains open ed	close doors, windows and curtains, bearing in mind the "TIPS FOR CORRECT USE" given previously
	there are heat sources in the room (oven, hairdryer, etc.)	eliminate the heat sources
	the air exhaust hose is detached from the appliance	fit the air exhaust hose in the housing at the back of the appliance (fig. 1).
	dust filter clogged	clean or replace the filter as described previously
	the technical specification of the appliance is not adequate for the room in which it is located.	
During operation, there is an unpleasant smell in the room	filter clogged	clean the filter as described previously
The air conditioner does not operate for about three minutes after restarting it	prevents the appliance from being restarted until three minutes have elapsed since it was last turned off	wait. This delay is part of normal operation.
The symbol  and one of the following messages: <i>HL/PF</i>	the appliance has a self diagnosis system to identify a number of malfunctions.	see the SELF-DIAGNOSIS chapter

De'Longhi is the distributor of Kenwood home appliances.

This warranty applies to all home appliances with De'Longhi or Kenwood brand names

LIMITED WARRANTY

We warrant each De'Longhi AIR CONDITIONER to be free from defects in material and workmanship. From the purchase date, our obligation under this warranty is to provide two(2) year free parts and labor on the entire AIR CONDITIONER, with an additional four (4) years free on any part of the sealed system consisting of the compressor, evaporator, condenser and factory connected refrigerant tubing. Labor and all other parts during the additional four (4) year warranty are to be paid by the owner. All AIR CONDITIONERS in need of repair are to be shipped to an authorized De'Longhi service center at the owner's expense, and De'Longhi will then incur the return shipping costs. After the first six (6) years of ownership, all expenses (all parts, labor and shipping) are to be paid by the owner of the unit. This warranty shall apply only if the AIR CONDITIONER is used in accordance with the factory directions that accompany it, and on an Alternating Current (AC) circuit. This warranty is in lieu of all other warranties and representations, expressed or implied, and all other obligations or liabilities on our part. We do not authorize any other person or company to assume for us any liability in connection with the sale or use of our AIR CONDITIONER. This warranty shall not apply to any AIR CONDITIONER that has been repaired or altered outside our factory nor shall it apply to any AIR CONDITIONER that has been subjected to misuse, negligence or accidents.

If repairs become necessary, see contact information below:

U.S. Residents:

Please contact our toll free hotline at **1-800-322-3848**
or log onto our website at www.delonghi.com

CANADA Residents:

Please contact our toll free hotline at **1-888-335-6644**
or log onto our website at www.delonghi.com

MEXICO Residents:

Please contact our toll free hotline at **01-800-711-8805**
or log onto our website at www.delonghi.com

The above warranty is in lieu of all other express warranties and representations. All implied warranties are limited to the applicable warranty period set forth above. This limitation does not apply if you enter into an extended warranty with De'Longhi. Some states/countries do not allow limitations on how long an implied warranty lasts, so the above exclusions may not apply to you. De'Longhi does not authorize any other person or company to assume for it any liability in connection with the sale or use of its appliance.

How does country law apply?

This warranty gives you specific legal rights, and you may also have other rights, which vary from state to state/country to country.