



website <http://www.lgservice.com>

LG

LG

Room Air Conditioner

SERVICE MANUAL

MODELS: *TS-C096EMA0*
TS-H096EMA0
TS-C126EMA0
TS-H126EMA0
TS-C096YDA0
TS-H096YDA0
TS-C126TDA0
TS-H126TDA0

CAUTION

- BEFORE SERVICING THE UNIT, READ THE SAFETY PRECAUTIONS IN THIS MANUAL.
- ONLY FOR AUTHORIZED SERVICE PERSONNEL.

TABLE OF CONTENTS

LG Model Name	3
Safety Precautions	5
Dimensions	10
Symbols Used in this Manual	10
Indoor Unit.....	10
Outdoor Unit.....	13
Product Specifications	14
Installation	18
Selection of the Best Location.....	18
Piping Length and Elevation.....	18
How to Fix Installation Plate	19
Drill a Hole in the Wall	19
Drain hose junction.....	19
Flaring work and connection of piping	20
Flaring work.....	20
Connection of Piping Indoor	20
Connection of the Pipes-Outdoor.....	24
Connecting the cable between indoor unit and outdoor unit	25
Connect the Cable to the Indoor Unit	25
Connect the Cable to the Outdoor Unit	26
Checking the drainage and forming the pipings	27
Checking the Drainage.....	27
Form the Piping.....	27
AIR PURGING	28
Air purging	28
Air purging with vacuum pump	28
Test Running	30
Operation	31
Function of Controls	31
Display Function	35
Self-diagnosis Function.....	35
Remote Control Operations.....	36
Disassembly	37
Indoor Unit.....	37
Schematic Diagram	40
Electric Control Device	40
Wiring Diagram.....	41
Components Location	44
Troubleshooting Guide	46
Refrigeration Cycle Diagram	46
2-way, 3-way Valve	47
Cycle Parts.....	53
Electronic Parts	54
Exploded View	61
Replacement Parts List	63

LG Model Name

2003

1	2	-	3	4	5	6	7	8	9	10
---	---	---	---	---	---	---	---	---	---	----

Code	Type	Code of Model	Meaning																																								
1	Producing Center, Refrigerant	A~Z	L: Chang-won R22 A: Chang-won R410A C: Chang-won R407C T: China K: Turkey R22 E: Turkey R410A H: Thailand N: India Z: Brazil D: Indonesia M: Mexico V: Vietnam S: Out Sourcing																																								
2	Product Type	A~Z	S: Split Type Air Conditioner																																								
3	Cooling/Heating/Inverter	A~Z	C: Cooling only H: Heat pump X: C/O + E/Heater Z: H/P + E/Heater V: AC Inverter C/O N: AC Inverter H/P Q: DC Inverter C/O W: DC Inverter H/P																																								
4, 5	Capacity	0~9	Cooling/Heating Capacity Ex. "09" → 9,000 Btu/h																																								
6	Electric Range	1~9 A~Z	1: 115V/60Hz, 2: 220V/60Hz 3: 208-230V/60Hz 5: 200-220V/50Hz 6: 220-240V/50Hz 7: 110V, 50/60Hz 8: 380-415V/50Hz 9: 380-415V/60Hz A: 220V, 50Hz, 3Phase B: 208~230V, 60Hz, 3Phase C: 575V, 50Hz, 3Phase D: 440~460, 60Hz, 3Phase E: 265V, 60Hz F: 200V, 50/60Hz																																								
7	Chassis	A~Z	Name of Chassis of Unit Ex. LSP → SP Chassis																																								
8	Look	A~Z	Look, Color (Artcool Model)																																								
9	Function	A~Z	<table border="1"> <tr><td>Basic</td><td>A</td></tr> <tr><td>Basic+4Way</td><td>B</td></tr> <tr><td>Plasma Filter</td><td>C</td></tr> <tr><td>Plasma Filter+4 Way</td><td>D</td></tr> <tr><td>Tele+LCD</td><td>E</td></tr> <tr><td>Tele+LCD+Nano plasma+4Way</td><td>F</td></tr> <tr><td>Nano Plasma F+(A/changeove)+A/clean+Low A</td><td>G</td></tr> <tr><td>Nano Plasma F+(A/changeove)+A/clean+4way+Low A</td><td>H</td></tr> <tr><td>Tele+LED+4way</td><td>I</td></tr> <tr><td>Internet</td><td>J</td></tr> <tr><td>Plasma F+4Way+Oxy generator</td><td>K</td></tr> <tr><td>Nano Plasma F+(A/changeove)+A/clean</td><td>L</td></tr> <tr><td>Nano Plasma F+(A/changeove)+A/clean+4way</td><td>M</td></tr> <tr><td>Nano Plasma F+(A/changeove)+A/clean+PTC</td><td>N</td></tr> <tr><td>Nano Plasma F+(A/changeove)+Autoclean+4way+PTC</td><td>P</td></tr> <tr><td>Nano Plasma F+(A/changeove)+A/clean+4way+Low A+PTC</td><td>Q</td></tr> <tr><td>Negative ION+A/Clean</td><td>R</td></tr> <tr><td>(Nano)Plasma+Negative ION+A/Clean</td><td>S</td></tr> <tr><td>4way+(Nano)Plasma F+Negative ION+Healthy dehumidification+A/Clean</td><td>T</td></tr> <tr><td>Nano Plasma F+4Way+(A/changeove)+A/clean+</td><td>U</td></tr> </table>	Basic	A	Basic+4Way	B	Plasma Filter	C	Plasma Filter+4 Way	D	Tele+LCD	E	Tele+LCD+Nano plasma+4Way	F	Nano Plasma F+(A/changeove)+A/clean+Low A	G	Nano Plasma F+(A/changeove)+A/clean+4way+Low A	H	Tele+LED+4way	I	Internet	J	Plasma F+4Way+Oxy generator	K	Nano Plasma F+(A/changeove)+A/clean	L	Nano Plasma F+(A/changeove)+A/clean+4way	M	Nano Plasma F+(A/changeove)+A/clean+PTC	N	Nano Plasma F+(A/changeove)+Autoclean+4way+PTC	P	Nano Plasma F+(A/changeove)+A/clean+4way+Low A+PTC	Q	Negative ION+A/Clean	R	(Nano)Plasma+Negative ION+A/Clean	S	4way+(Nano)Plasma F+Negative ION+Healthy dehumidification+A/Clean	T	Nano Plasma F+4Way+(A/changeove)+A/clean+	U
Basic	A																																										
Basic+4Way	B																																										
Plasma Filter	C																																										
Plasma Filter+4 Way	D																																										
Tele+LCD	E																																										
Tele+LCD+Nano plasma+4Way	F																																										
Nano Plasma F+(A/changeove)+A/clean+Low A	G																																										
Nano Plasma F+(A/changeove)+A/clean+4way+Low A	H																																										
Tele+LED+4way	I																																										
Internet	J																																										
Plasma F+4Way+Oxy generator	K																																										
Nano Plasma F+(A/changeove)+A/clean	L																																										
Nano Plasma F+(A/changeove)+A/clean+4way	M																																										
Nano Plasma F+(A/changeove)+A/clean+PTC	N																																										
Nano Plasma F+(A/changeove)+Autoclean+4way+PTC	P																																										
Nano Plasma F+(A/changeove)+A/clean+4way+Low A+PTC	Q																																										
Negative ION+A/Clean	R																																										
(Nano)Plasma+Negative ION+A/Clean	S																																										
4way+(Nano)Plasma F+Negative ION+Healthy dehumidification+A/Clean	T																																										
Nano Plasma F+4Way+(A/changeove)+A/clean+	U																																										
10	Serial No.	1~9	LG Model Development Serial No. * ARTCOOL COLOR <table border="1"> <tr><td>R</td><td>Mirror</td></tr> <tr><td>W</td><td>White</td></tr> <tr><td>B</td><td>Blue</td></tr> <tr><td>D</td><td>Wood</td></tr> <tr><td>M</td><td>Metal</td></tr> <tr><td>C</td><td>Cherry</td></tr> </table>	R	Mirror	W	White	B	Blue	D	Wood	M	Metal	C	Cherry																												
R	Mirror																																										
W	White																																										
B	Blue																																										
D	Wood																																										
M	Metal																																										
C	Cherry																																										

2004~

1	2	-	3	4	5	6	7	8	9	10
---	---	---	---	---	---	---	---	---	---	----

Code	Type	Code of Model	Meaning					
1	Producing Center, Refrigerant	A~Z	L Chang_won R22 N India					
			A Chang_won R410A Z Brazil					
			C Chang_won R407C D Indonesia					
			T China X Mexico					
			K Turkey R22 V Vietnam					
			E Turkey R410A S Out sourcing					
			H Thailand					
2	Product Type	A~Z	S: Split Type Air Conditioner					
3	Cooling/Heating/Inverter	A~Z	C: Cooling only V: AC Inverter C/O H: Heat pump N: AC Inverter H/P X: C/O + E/Heater Q: DC Inverter C/O Z: H/P + E/Heater W: DC Inverter H/P					
4, 5	Capacity	0~9	Cooling/Heating Capacity Ex. "09" → 9,000 Btu/h					
6	Electric Range	1~9	1: 115V/60Hz, A: 220V, 50Hz, 3Phase					
		A~Z	2: 220V/60Hz B: 208~230V, 60Hz, 3Phase					
			3: 208-230V/60Hz C: 575V, 50Hz, 3Phase					
			5: 200-220V/50Hz D: 440~460, 60Hz, 3Phase					
			6: 220-240V/50Hz E: 265V, 60Hz					
			7: 110V, 50/60Hz F: 200V, 50/60Hz					
			8: 380-415V/50Hz					
			9: 380-415V/60Hz					
7	Chassis	A~Z	Name of Chassis of Unit					
			Ex. LSP → SP Chassis					
			8	Look	A~Z	Look,		
						Color (Artcool Model)		
						CHASSIS	Look	Division
						S4/S5	D	Panel Type(Deluxe)
S6	K	Fighting 'Look'						
SQ	L	(LG1)						
SR	G	(LG2)-SEMI PANEL						
ST	M	OEM1						
	N	OEM2						
	D	Panel Type(Deluxe)						
	P	LG3						
9	Function	A~Z	Basic A					
			Basic+4Way B					
			Plasma Filter C					
			Plasma Filter+4 Way D					
			Tele+LCD E					
			Tele+LCD+Nano plasma+4Way F					
			NBF F+(A/changeove)+A/clean+Low A G					
			NBF F+(A/changeove)+A/clean+4way+Low A H					
			Tele+LED+4way I					
			Internet J					
			Plasma F+4Way+Oxy generator K					
			NBF F+(A/changeove)+A/clean L					
			NBF F+(A/changeove)+A/clean+4way M					
			NBF F+(A/changeove)+A/clean+PTC N					
			NBF F+(A/changeove)+Autoclean+4way+PTC P					
			NBF F+(A/changeove)+A/clean+4way+Low A+PTC Q					
			(Nano)Plasma+ION+A/Clean S					
			4way+(Nano)Plasma F+Negative ION+Healthy dehumidification+A/Clean T					
			Nano Plasma F+4Way+(A/changeove)+A/clean+Oxy generator U					
			4way+(Nano)Plasma F+Negative ION+Healthy dehumidification+A/Clean+Oxy generator V					
			Dry contact W					
Wire remocon 8								
10	Serial No.	1~9	LG Model Development Serial No.					
			* ARTCOOL COLOR					
			R Mirror					
			W White					
			B Blue					
			D Wood					
			M Metal					
			C Cherry					

Safety Precautions



To prevent injury to the user or other people and property damage, the following instructions must be followed.

■ Incorrect operation due to ignoring instruction will cause harm or damage. The seriousness is classified by the following indications.

⚠ WARNING This symbol indicates the possibility of death or serious injury.

⚠ CAUTION This symbol indicates the possibility of injury or damage to properties only.

■ Meanings of symbols used in this manual are as shown below.

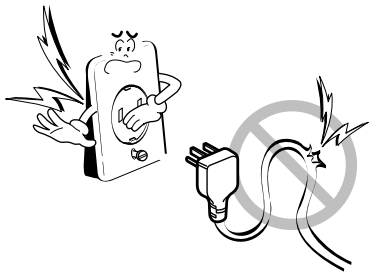
	Be sure not to do.
	Be sure to follow the instruction.

⚠ WARNING

■ Installation

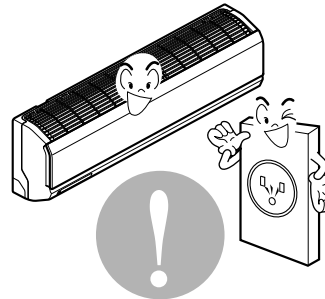
Do not use damaged power cords, plugs, or a loose socket.

- There is risk of fire of electric shock.



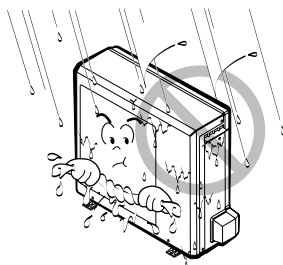
Always use the power plug and socket with the ground terminal.

- There is risk of electric shock.



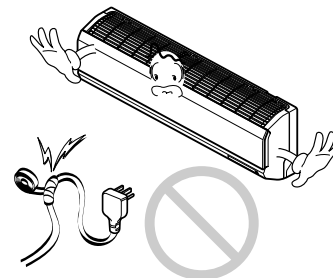
Install the panel and the cover of control box securely.

- There is risk of fire of electric shock.



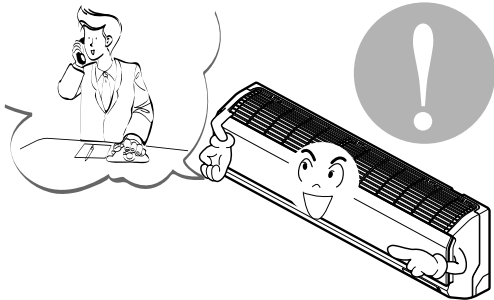
.Do not modify or extend the power cord.

- No grounding may cause electric shock.



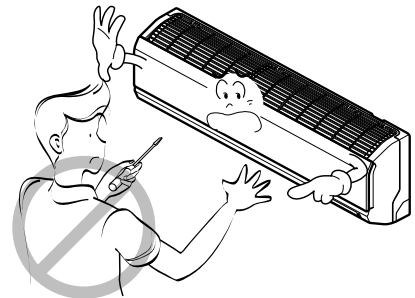
For re-installation of the installed product, always contact a dealer or an authorized service center.

- There is risk of fire, electric shock, explosion, or injury.



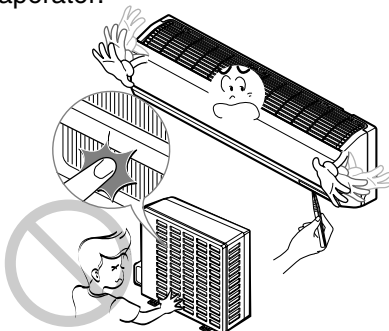
Do not install, remove, or re-install the unit by yourself.

- There is risk of fire, electric shock, explosion, or injury.



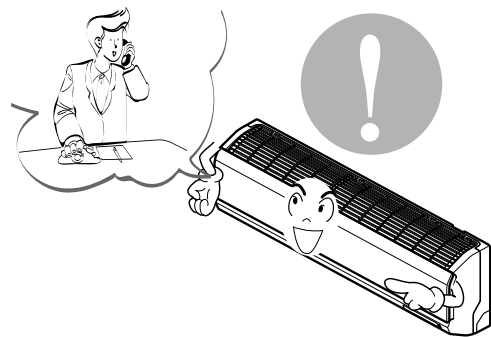
Be cautious when unpacking and installing the product.

- Sharp edges could cause injury. Be especially careful of the case edges and the fins on the condenser and evaporator.



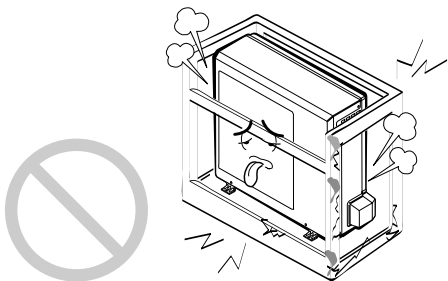
For installation, always contact the dealer or an Authorized service center

- There is risk of fire, electric shock, explosion, or injury.



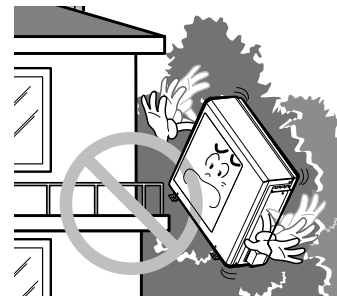
Do not install the product on a defective installation stand.

- It may cause injury, accident, or damage to the product.



Be sure the installation area does not deteriorate with age.

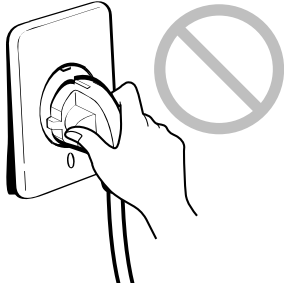
- If the base collapses, the air conditioner could fall with it, causing property damage, product failure, and personal injury.



■ Operation

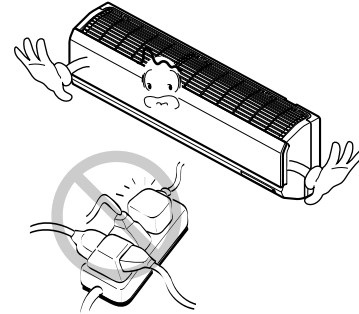
Do not turn the air-conditioner ON or OFF by plugging or unplugging the power plug.

- There is risk of fire or electrical shock.



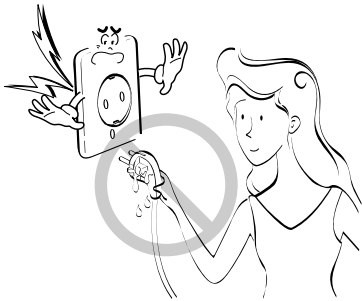
Use a dedicated outlet for this appliance.

- There is risk of fire or electrical shock.



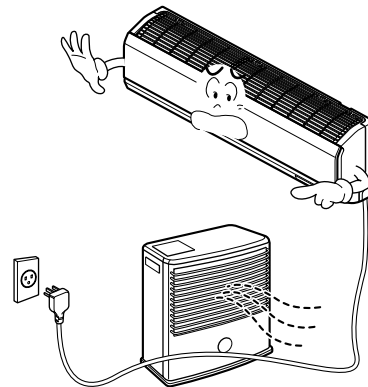
Grasp the plug to remove the cord from the outlet. Do not touch it with wet hands.

- There is risk of fire or electrical shock.



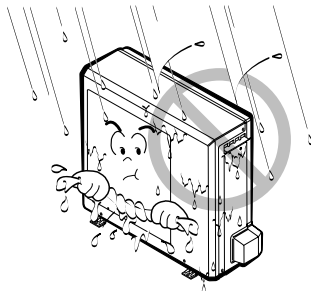
Do not place a heater or other appliances near the power cable.

- There is risk of fire and electric shock.



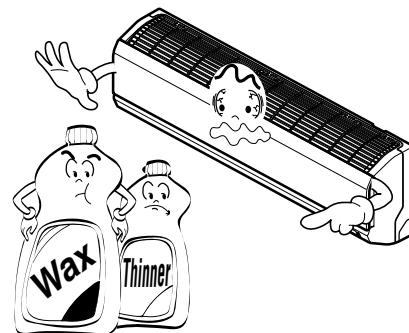
Do not allow water to run into electrical parts.

- There is risk of fire, failure of the product, or electric shock.



Do not store or use flammable gas or combustibles near the air conditioner.

- There is risk of fire or failure of product.



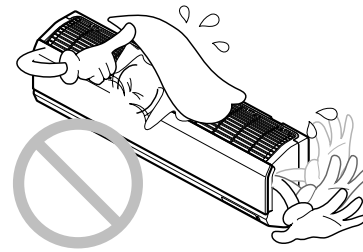
Unplug the unit if strange sounds, odors, or smoke comes from it.

- There is risk of electric shock or fire.



Be cautious that water could not enter the product.

- There is risk of fire, electric shock, or product damage.

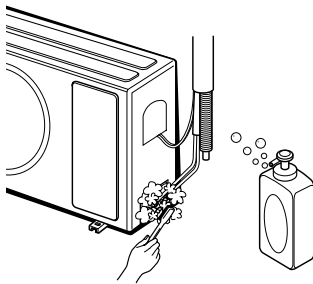


CAUTION

Installation

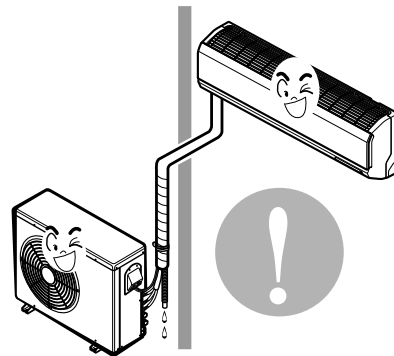
Always check for gas (refrigerant) leakage after installation or repair of product.

- Low refrigerant levels may cause failure of product.



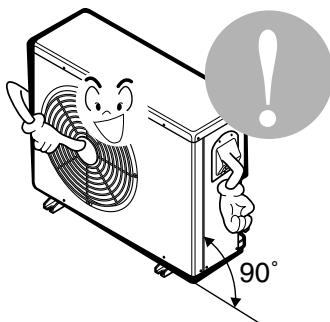
Install the drain hose to ensure that water is drained away properly.

- A bad connection may cause water leakage.



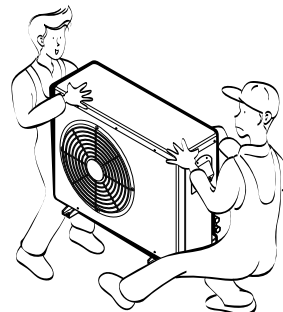
Keep level even when installing the product.

- To avoid vibration or water leakage.



Use two or more people to lift and transport the air conditioner.

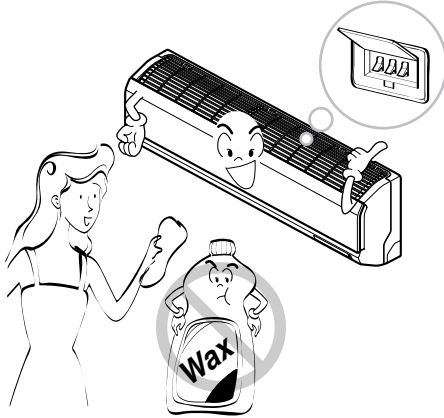
- Avoid personal injury.



■ Operation

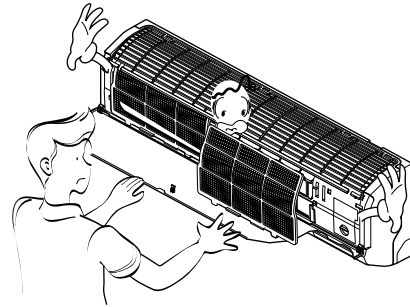
Use a soft cloth to clean. Do not use harsh detergents, solvents, etc.

- There is risk of fire, electric shock, or damage to the plastic parts of the product.



Do not touch the metal parts of the product when removing the air filter. They are very sharp!

- There is risk of personal injury.



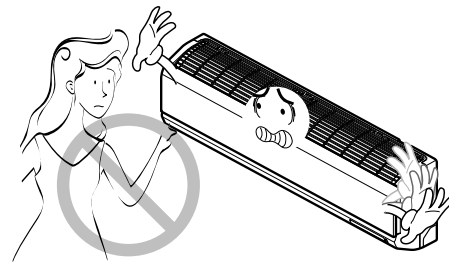
Do not step on or put anything on the product. (outdoor units)

- There is risk of personal injury and failure of product.



Do not insert hands or other objects through the air inlet or outlet while the air conditioner is plugged in.

- There are sharp and moving parts that could cause personal injury.



Dimensions

Symbols Used in this Manual



This symbol alerts you to the risk of electric shock.

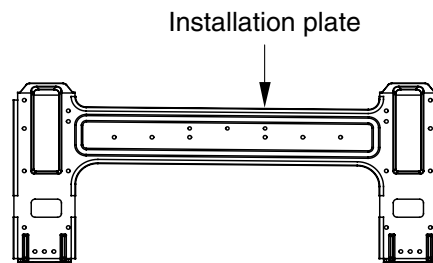
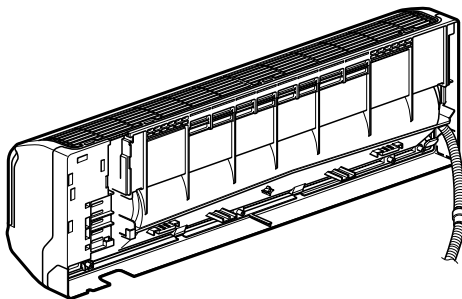
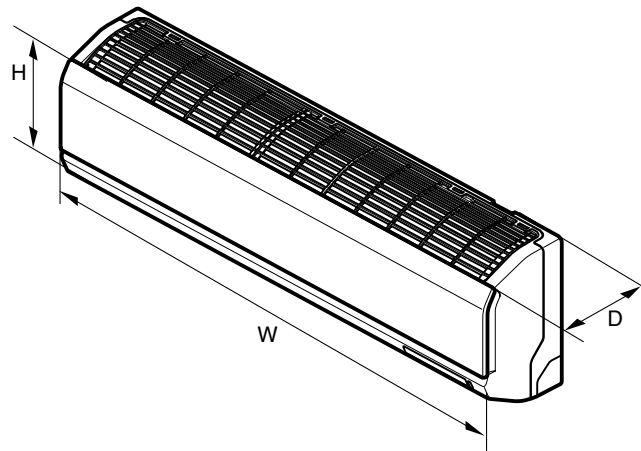


This symbol alerts you to hazards that could cause harm to the air conditioner.

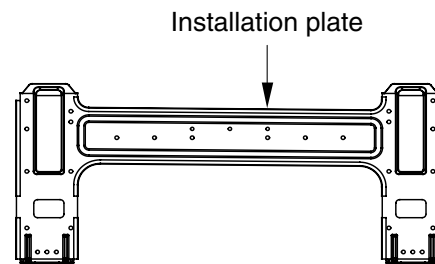
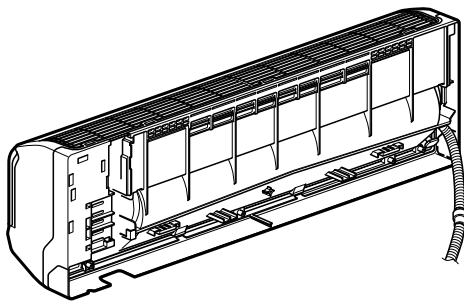
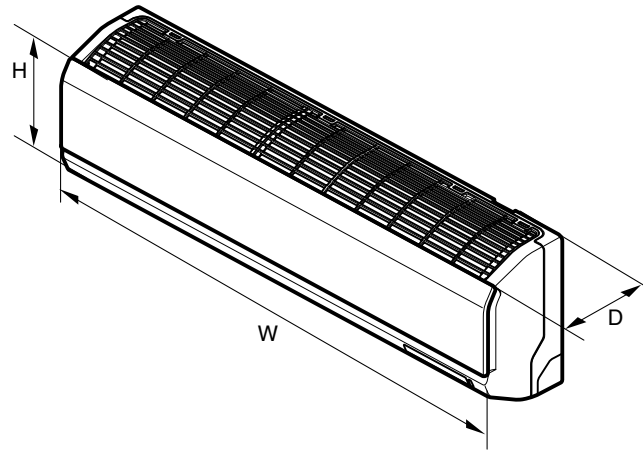
NOTICE

This symbol indicates special notes.

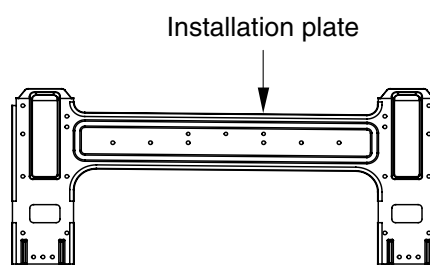
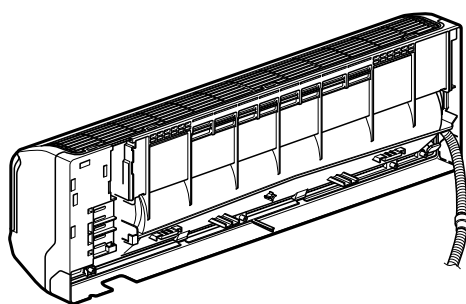
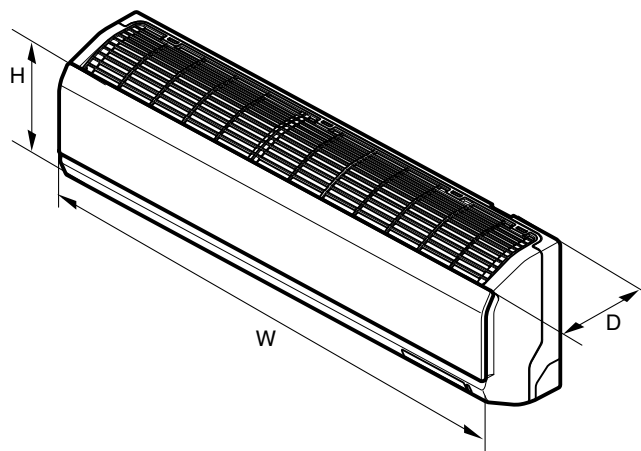
Indoor Unit



Dimension		Model	SE Chassis
		W	mm
H	mm	171	
D	mm	282	

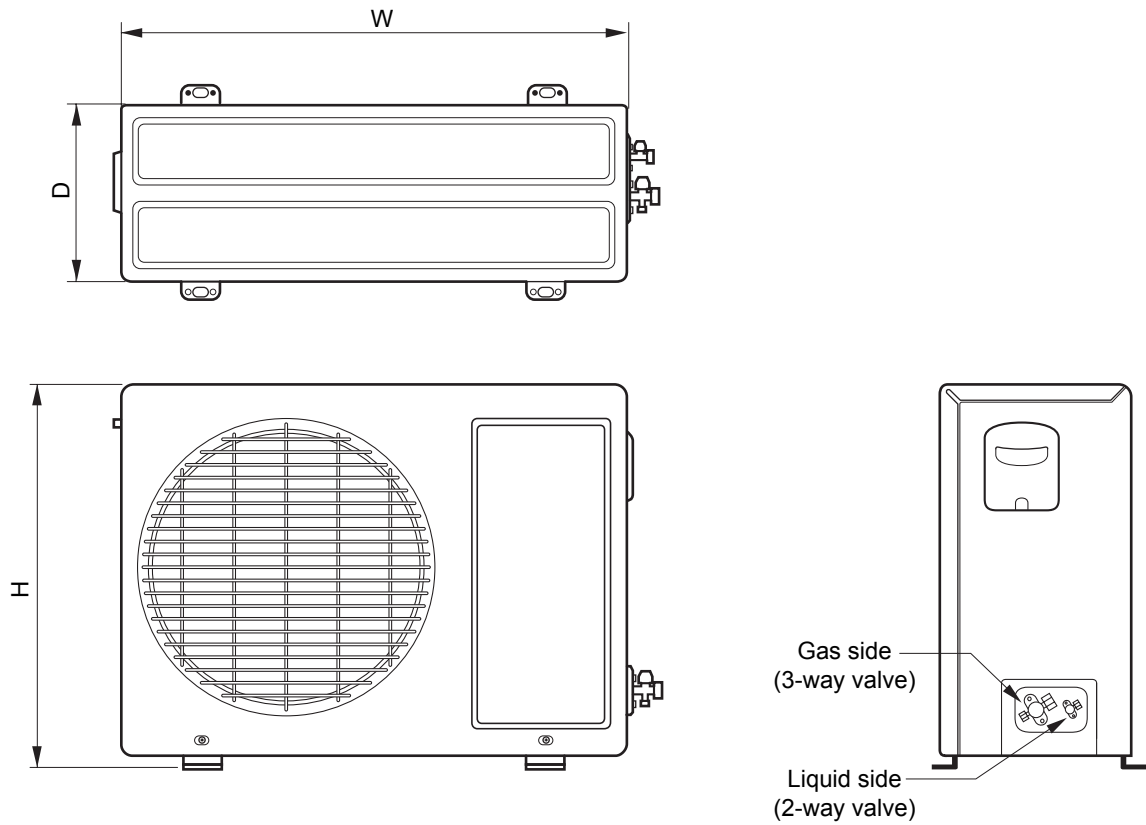


Dimension		Model	SY Chassis
W	mm		840
H	mm		270
D	mm		161



Dimension		Model	ST Chassis
W	mm		895
H	mm		282
D	mm		166

Outdoor Unit



DIM	MODEL		unit	
	TS-C096EMA0 TS-C096YDA0	TS-H096EMA0 TS-H096YDA0	TS-C126EMA0 TS-C126TDA0	TS-H126EMA0 TS-H126TDA0
W	mm	575	770	
H	mm	520	540	
D	mm	260	245	

Models		Unit	TS-C096EMA0	TS-H096EMA0
Cooling Capacity		kcal/h.(W)	2268(2637)	2268(2637)
		Btu/h.	9,000	9,000
Heating Capacity		kcal/h.(W)	-	2268(2637)
		Btu/h.	-	9,000
Power Input	Cooling	W	930	950
	Heating	W	-	940
Running Current	Cooling	A	4.5	4.5
	Heating	A	-	4.5
Starting Current	Cooling	A	6	6
	Heating	A	-	6
EER		kcal/h.W(W/W)	2.44(2.84)	2.39(2.78)
		Btu/h.W	9.68	9.47
COP		W/W	-	2.8
Power Supply		Φ,V,Hz	1Φ,220-240,50	1Φ,220-240,50
Air Circulation	Indoor,Max	m ³ /min(CFM)	430	430
	Outdoor,Max	m ³ /min(CFM)	1680	1680
Moisture Removal		ℓ/h.(pts/h.)	0.95	0.95
Features	Temperature Control		Thermistor	Thermistor
	Plasma Filter		-	-
	Nano Plasma Filter		-	-
	Deodorizing Filter		Optional	Optional
	CHAOS Wind(Auto Wind)		Yes	Yes
	Airflow Direction(4-Way:Optional)		4-Way	4-Way
	Steps, Fan/Cool		3/4	3/4
	Airflow Direction Control(up&down)		Auto	Auto
	Airflow Direction Control(left&right)		Manual	Manual
	Remocon Type		Wireless Simple	Wireless Simple
	Setting Temperature Range	Cool	18 - 30	18 - 30
		Heat	-	16 - 30
	Temperature Increment		1	1
	Self Diagnosis		Yes	Yes
	Timer		24h, Off	24h, Off
	Sleep Operation		Yes	Yes
	Soft Dry Operation		Yes	Yes
Restart Delay(minute)		3	3	
Special Function		-	-	
Refrigerant(R22)Charge		g	490g	780g
Blower Motor	Input	W	29	29
	Output	W	11	11
	Motor Input	W	52	66.6
	Motor Output	W	36	27
Circuit Breaker		A	-	-
Power Cord		AWG#:P*mm ²	3*0.75	3*0.75
Connecting Cable		AWG#:P*mm ²	3*0.75	3*0.75
Connecting Tube (φ. Socket Flare)	Liquid Side	mm(in)	6.35(1/4)	6.35(1/4)
	Gas Side	mm(in)	9.52(3/8)	9.52(3/8)
	Length,std	m(in)	5	5
Drain Hose (O.D , I.D)		mm(in)	21.5,16(0.85,0.63)	21.5,16(0.85,0.63)
Dimension	Indoor	mm	171*915*282	171*915*282
	Outdoor	mm	520*575*260	540*770*245
Net Weight	Indoor	kg	10	9
	Outdoor	kg	33	25

Models		Unit	TS-C126EMA0	TS-H126EMA0
Cooling Capacity		kcal/h.(W)	3024(3516)	3024(3516)
		Btu/h.	12,000	12,000
Heating Capacity		kcal/h.(W)	-	3024(3516)
		Btu/h.	-	12,000
Power Input	Cooling	W	1290	1280
	Heating	W	-	1280
Running Current	Cooling	A	6.3	6.1
	Heating	A	-	-
Starting Current	Cooling	A	10.1	9.6
	Heating	A	7.35	7.7
EER		kcal/h.W(W/W)	2.35(2.73)	2.36(2.75)
		Btu/h.W	9.30	9.38
COP		W/W	-	2.8
Power Supply		Φ,V,Hz	1Φ,220-240,50	1Φ,220-240,50
Air Circulation	Indoor,Max	m ³ /min(CFM)	550	550
	Outdoor,Max	m ³ /min(CFM)	1680	1680
Moisture Removal		ℓ/h.(pts/h.)	1.5	1.5
Features		Temperature Control	Thermistor	Thermistor
		Plasma Filter	-	-
		Nano Plasma Filter	-	-
		Deodorizing Filter	Optional	Optional
		CHAOS Wind(Auto Wind)	Yes	Yes
		Airflow Direction(4-Way:Optional)	4-Way	4-Way
		Steps, Fan/Cool	3/4	3/4
		Airflow Direction Control(up&down)	Auto	Auto
		Airflow Direction Control(left&right)	Manual	Manual
		Remocon Type	Wireless Simple	Wireless Simple
Setting Temperature Range		Cool	18 - 30	18 - 30
		Heat	-	16 - 30
		Temperature Increment	1	1
		Self Diagnosis	Yes	Yes
		Timer	24h, Off	24h, Off
		Sleep Operation	Yes	Yes
		Soft Dry Operation	Yes	Yes
		Restart Delay(minute)	3	3
Special Function			-	-
Refrigerant(R22)Charge		g	680g	930g
Blower Motor	Input	W	29	29
	Output	W	11	11
	Motor Input	W	66.6	109
	Motor Output	W	27	42
Circuit Breaker		A	-	-
Power Cord		AWG#:P*mm ²	3*1.0	3*1.0
Connecting Cable		AWG#:P*mm ²	3*1.0	3*1.0
Connecting Tube (φ. Socket Flare)	Liquid Side	mm(in)	6.35(1/4)	6.35(1/4)
	Gas Side	mm(in)	12.7(1/2)	12.7(1/2)
	Length,std	m(in)	5	5
Drain Hose (O.D , I.D)		mm(in)	21.5,16(0.85,0.63)	21.5,16(0.85,0.63)
Dimension	Indoor	mm	171*915*282	171*915*282
	Outdoor	mm	245*540*770	245*540*770
Net Weight	Indoor	kg	10	10
	Outdoor	kg	33	33

Models		Unit	TS-C096YDA0	TS-H096YDA0	
Cooling Capacity		kcal/h.(W)	2268(2637)	2268(2637)	
		Btu/h.	9,000	9,000	
Heating Capacity		kcal/h.(W)	-	2268(2637)	
		Btu/h.	-	9,000	
Power Input	Cooling	W	900	900	
	Heating	W	-	900	
Running Current	Cooling	A	4.4	4.4	
	Heating	A	-	-	
Starting Current	Cooling	A	6	6	
	Heating	A	-	-	
EER		kcal/h.W(W/W)	2.52(2.93)	2.52(2.93)	
		Btu/h.W	10.00	10.00	
COP		W/W	-	2.9	
Power Supply		Φ,V,Hz	1Φ,220-240,50	1Φ,220-240,50	
Air Circulation	Indoor,Max	m ³ /min(CFM)	450	450	
	Outdoor,Max	m ³ /min(CFM)	1560	1560	
Moisture Removal		ℓ/h.(pts/h.)	1.1	1.1	
Features	Temperature Control		Thermistor	Thermistor	
	Plasma Filter		-	-	
	Nano Plasma Filter		-	-	
	Deodorizing Filter		Optional	Optional	
	CHAOS Wind(Auto Wind)		Yes	Yes	
	Airflow Direction(4-Way:Opti		4-Way	4-Way	
	Steps, Fan/Cool		3/4	3/4	
	Airflow Direction Contorl(up&		Auto	Auto	
	Airflow Direction Contorl(left&		Manual	Manual	
	Remocon Type		Wireless Simple	Wireless Simple	
	Setting Temperature		Cool	18 - 30	18 - 30
			Heat	-	16 - 30
	Temperature Increment		1	1	
	Self Diagnosis		Yes	Yes	
	Timer		7h, Off	7h, Off	
	Sleep Operation		Yes	Yes	
	Soft Dry Operation		Yes	Yes	
Restart Delay(minute)		3	3		
Special Function			-	-	
Refrigerant(R22)Charge		g	430g	630g	
Blower Motor	Input	W	29	29	
	Output	W	11	11	
	Motor Input	W	52	66.6	
	Motor Output	W	36	27	
Circuit Breaker		A	-	-	
Power Cord		AWG#:P*mm ²	3*0.75	3*0.75	
Connecting Cable		AWG#:P*mm ²	3*0.75	3*0.75	
Connecting Tube (Φ. Socket Flare)	Liquid Side	mm(in)	6.35(1/4)	6.35(1/4)	
	Gas Side	mm(in)	9.52(3/8)	9.52(3/8)	
	Length,std	m(in)	5	5	
Drain Hose (O.D , I.D)		mm(in)	21.5,16(0.85,0.63)	21.5,16(0.85,0.63)	
Dimension	Indoor	mm	161*270*840	161*270*840	
	Outdoor	mm	520*575*260	540*770*245	
Net Weight	Indoor	kg	7	7	
	Outdoor	kg	22	33	

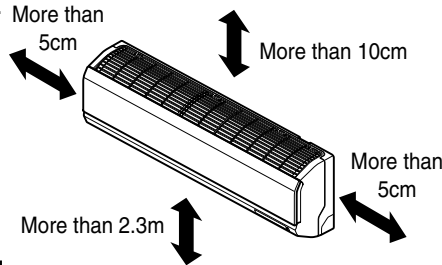
Models		Unit	TS-C126TDA0	TS-H126TDA0	
Cooling Capacity		kcal/h.(W)	3024(3516)	3024(3516)	
		Btu/h.	12,000	12,000	
Heating Capacity		kcal/h.(W)	-	3024(3516)	
		Btu/h.	-	12,000	
Power Input	Cooling	W	1260	1180	
	Heating	W	-	1350	
Running Current	Cooling	A	6	5.6	
	Heating	A	-	6.1	
Starting Current	Cooling	A	10.7	9	
	Heating	A	-	8	
EER		kcal/h.W(W/W)	2.4(2.79)	2.56(2.98)	
		Btu/h.W	9.52	10.17	
COP		W/W	-	2.6	
Power Supply		Φ,V,Hz	1 Φ ,220-240,50	1 Φ ,220-240,50	
Air Circulation	Indoor,Max	m ³ /min(CFM)	450	450	
	Outdoor,Max	m ³ /min(CFM)	1680	1680	
Moisture Removal		ℓ/h.(pts/h.)	1.5	1.5	
Features	Temperature Control		Thermistor	Thermistor	
	Plasma Filter		-	-	
	Nano Plasma Filter		-	-	
	Deodorizing Filter		Optional	Optional	
	CHAOS Wind(Auto Wind)		Yes	Yes	
	Airflow Direction(4-Way:Opti)		4-Way	4-Way	
	Steps, Fan/Cool		3/4	3/4	
	Airflow Direction Contorl(up&		Auto	Auto	
	Airflow Direction Contorl(left&		Manual	Manual	
	Remocon Type		Wireless Simple	Wireless Simple	
	Setting Temperature		Cool	18 - 30	18 - 30
			Heat	-	16 - 30
	Temperature Increment		1	1	
	Self Diagnosis		Yes	Yes	
	Timer		7h, Off	7h, Off	
	Sleep Operation		Yes	Yes	
Soft Dry Operation		Yes	Yes		
Restart Delay(minute)		3	3		
Special Function		-	-		
Refrigerant(R22)Charge		g	770g	860g	
Blower Motor	Input	W	42	42	
	Output	W	11	11	
	Motor Input	W	109	109	
	Motor Output	W	42	42	
Circuit Breaker		A	-	-	
Power Cord		AWG#:P*mm ²	3*1.0	3*1.0	
Connecting Cable		AWG#:P*mm ²	3*1.0	3*1.0	
Connecting Tube (Φ. Socket Flare)	Liquid Side	mm(in)	6.35(1/4)	6.35(1/4)	
	Gas Side	mm(in)	12.7(1/2)	12.7(1/2)	
	Length,std	m(in)	5	5	
Drain Hose	(O.D , I.D)	mm(in)	21.5,16(0.85,0.63)	21.5,16(0.85,0.63)	
Dimension	Indoor	mm	166*282*895	166*282*895	
	Outdoor	mm	245*540*770	245*540*770	
Net Weight	Indoor	kg	8	8	
	Outdoor	kg	33	33	

Installation

Selection of the Best Location

Indoor unit

- Do not have any heat or steam near the unit.
- Select a place where there are no obstacles in front of the unit.
- Make sure that condensation drainage can be conveniently routed away.
Do not install near a doorway.
- Ensure that the space around the left and right of the unit is more than "A". The unit should be installed as high on the wall as possible, allowing a minimum of "B" from ceiling.
- Use a stud finder to locate studs to prevent unnecessary damage to the wall.



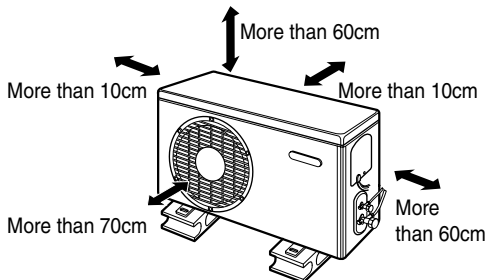
CAUTION

Install the indoor unit on the wall where the height from the floors more than 2.3 meters.

Grade	Clearance(cm)	
	A	B
5K~28K	10	5
30K~38K	30	12

Outdoor unit

- If an awning is built over the unit to prevent direct sunlight or rain exposure, make sure that heat radiation from the condenser is not restricted.
- Ensure that the space around the back and sides is more than 10cm. The front of the unit should have more than 70cm of space.
- Do not place animals and plants in the path of the warm air.
- Take the air conditioner weight into account and select a place where noise and vibration are minimum.
- Select a place so that the warm air and noise from the air conditioner do not disturb neighbors.

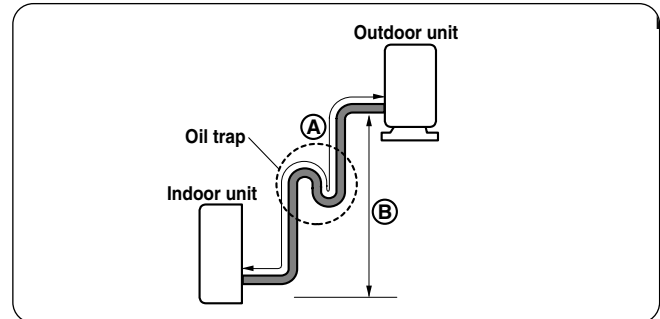
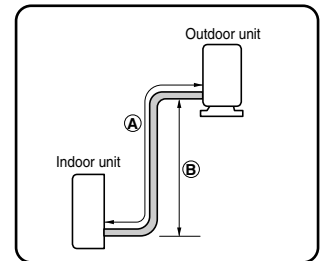
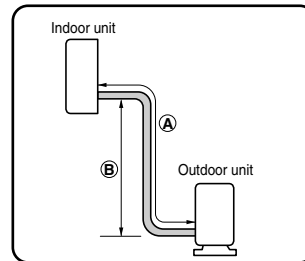


Rooftop Installations:

- If the outdoor unit is installed on a roof structure, be sure to level the unit. Ensure the roof structure and anchoring method are adequate for the unit location.
- Consult local codes regarding rooftop mounting.

Piping Length and Elevation

Capacity (Btu/h)	Pipe Size		Standard Length (m)	Max. Elevation B (m)	Max. Length A (m)	Additional Refrigerant (g/m)
	GAS	LIQUID				
5k-14k	3/8"(Ø9.52)	1/4"(Ø6.35)	4 or 7.5	7	15	20
	1/2"(Ø12.7)	1/4"(Ø6.35)	4 or 7.5	7	15	20
18k-28k	1/2"(Ø12.7)	1/4"(Ø6.35)	4 or 7.5	15	30	20
	5/8"(Ø15.88)	1/4"(Ø6.35)	4 or 7.5	15	30	20
30k-38k	5/8"(Ø15.88)	3/8"(Ø9.52)	4 or 7.5	15	30	30
	3/4"(Ø19.05)	3/8"(Ø9.52)	7.5	15	30	50



If case more than 5m

CAUTION

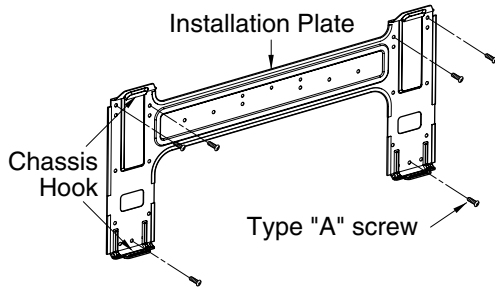
- Capacity is based on standard length and maximum allowance length is on the basis of reliability.
- Oil trap should be installed every 5~7 meters.

How to Fix Installation Plate

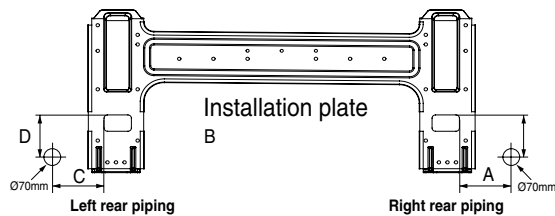
The wall you select should be strong and solid enough to prevent vibration

1. Mount the installation plate on the wall with four type A screws. If mounting the unit on a concrete wall, use anchor bolts.

- Mount the installation plate horizontally by aligning the centerline using a level.



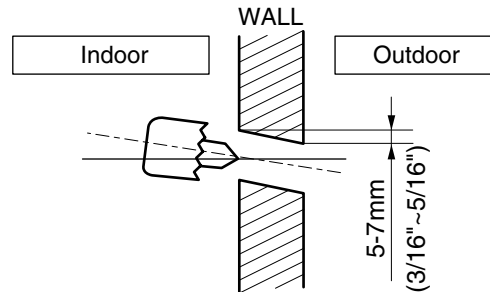
2. Measure the wall and mark the centerline. It is also important to use caution concerning the location of the installation plate—routing of the wiring to power outlets is through the walls typically. Drilling the hole through the wall for piping connections must be done safely.



CHASSIS (Grade)	Distance (mm)			
	A	B	C	D
7k, 9k, 12k	75	65	105	65
18k, 24k	105	65	260	65

Drill a Hole in the Wall

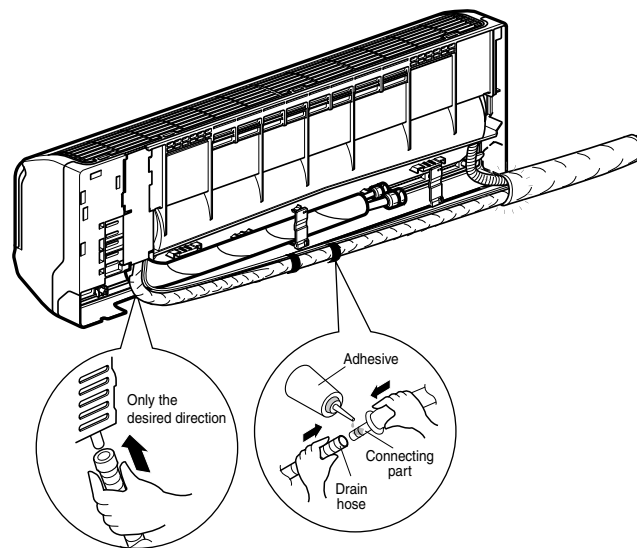
- Drill the piping hole with a $\varnothing 70\text{mm}$ hole core drill. Drill the piping hole at either the right or the left with the hole slightly slanted to the outdoor side.



- Open the Front Grille.
- Pass Telephone Control Cord Wire through the hole which the power cord goes through.
- Connect Telephone Control Cord Wire to the phone jack of telephone PCB of Control Box.
- Fix Telephone Control Cord Wire inside Control box so as not to disconnect.
- Close the Front Grille.

Drain hose junction

- Remove the rubber stopple in the desired drain direction.
- Insert drain hose into the handle of drain pan, and join drain hose and connecting hose according to the figure by.



Flaring work and connection of piping

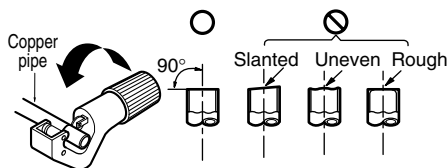
Flaring work

Flaring work

Main cause for refrigerant leakage is due to defect in the flaring work. Carry out correct flaring work using the following procedure.

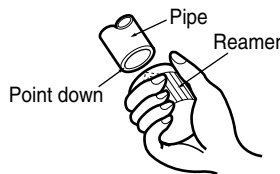
Cut the pipes and the cable.

- Use the piping kit accessory or pipes purchased locally.
- Measure the distance between the indoor and the outdoor unit.
- Cut the pipes a little longer than the measured distance.
- Cut the cable 1.5m longer than the pipe length.



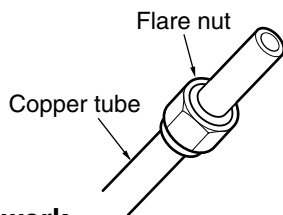
Burr removal

- Completely remove all burrs from the cut cross section of pipe/tube.
- Put the end of the copper tube/pipe in a downward direction as you remove burrs in order to avoid dropping burrs into the tubing.



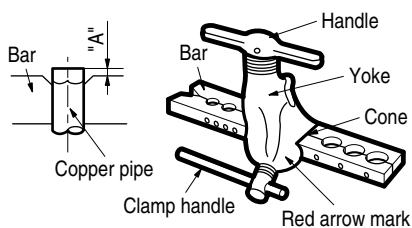
Putting nut on

- Remove flare nuts attached to indoor and outdoor unit, then put them on pipe/tube having completed burr removal. (not possible to put them on after flaring work)



Flaring work

- Firmly hold copper pipe in a die in the dimension shown in the table above.

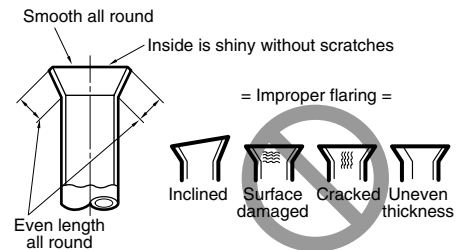


- Carry out flaring work using flaring tool as shown below.

Outside diameter		A
mm	inch	mm
Ø6.35	1/4	0~0.5
Ø9.52	3/8	0~0.5
Ø12.7	1/2	0~0.5
Ø15.88	5/8	0~1.0
Ø19.05	3/4	1.0~1.3

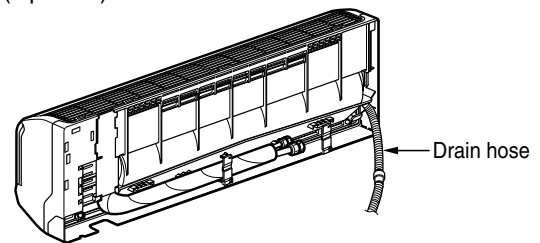
Check

- Compare the flared work with figure below.
- If flare is noted to be defective, cut off the flared section and re-flare it.



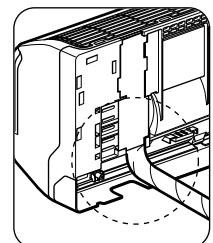
Connection of piping -- Indoor

- Preparing the indoor unit's piping and drain hose for installation through the wall.
- Remove the plastic tubing retainer(see illustration below) and pull the tubing and drain hose away from chassis.
- Replace the plastic tubing holder in the original position.(Optional)



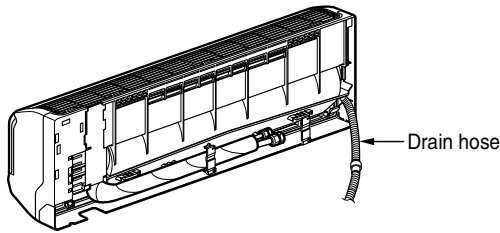
CAUTION

When install, make sure that the remaining parts must be removed clearly so as not to damage the piping and drain hose, especially power cord and connecting cable.



For right rear piping

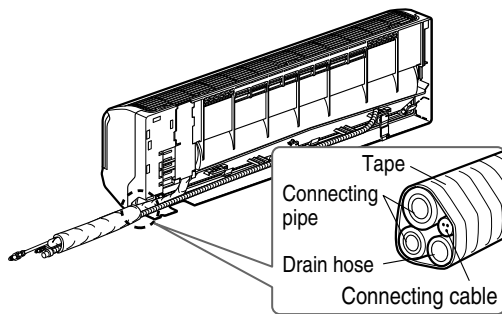
Route the indoor tubing and the drain hose in the direction of rear right.



Insert the connecting cable into the indoor unit from the outdoor unit through the piping hole.

- Do not connect the cable to the indoor unit.
- Make a small loop with the cable for easy connection later.

Tape the tubing, drain hose, and the connecting cable. Be sure that the drain hose is located at the lowest side of the bundle. Locating at the upper side can cause drain pan to overflow inside the unit.

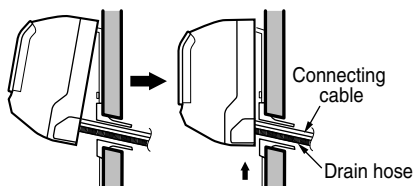


NOTE: If the drain hose is routed inside the room, insulate the hose with an insulation material* so that dripping from "sweating"(condensation) will not damage furniture or floors.

*Foamed polyethylene or equivalent is recommended.

Indoor unit installation

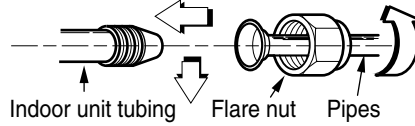
- Hook the indoor unit onto the upper portion of the installation plate. (Engage the two hooks of the rear top of the indoor unit with the upper edge of the installation plate.) Ensure that the hooks are properly seated on the installation plate by moving it left and right.



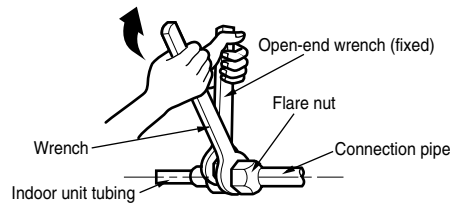
Press the lower left and right sides of the unit against the installation plate until the hooks engage into their slots (clicking sound).

Connecting the pipings to the indoor unit and drain hose to drain pipe.

- Align the center of the pipes and sufficiently tighten the flare nut by hand.

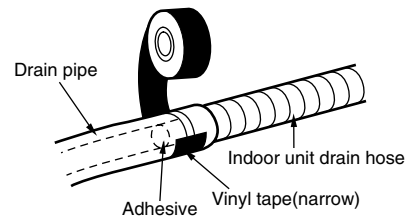


- Tighten the flare nut with a wrench.



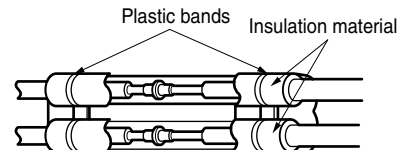
Outside diameter		Torque kg·m
mm	inch	
Ø6.35	1/4	1.8
Ø9.52	3/8	4.2
Ø12.7	1/2	5.5
Ø15.88	5/8	6.6
Ø19.05	3/4	6.6

- When extending the drain hose at the indoor unit, install the drain pipe.

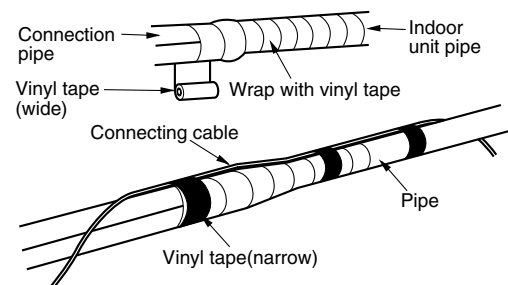


Wrap the insulation material around the connecting portion.

- Overlap the connection pipe insulation material and the indoor unit pipe insulation material. Bind them together with vinyl tape so that there is no gap.

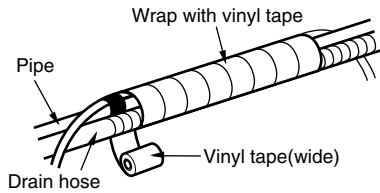


- Wrap the area which accommodates the rear piping housing section with vinyl tape.



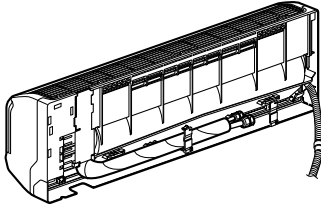
Flaring work and connection of piping

- Bundle the piping and drain hose together by wrapping them with vinyl tape for enough to cover where they fit into the rear piping housing section.

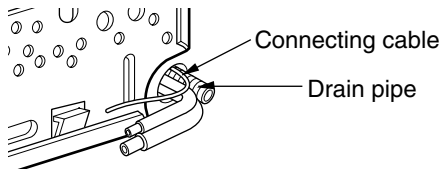


For left rear piping

Route the indoor tubing and the drain hose to the required piping hole position.



Insert the piping, drain hose, and the connecting cable into the piping hole.

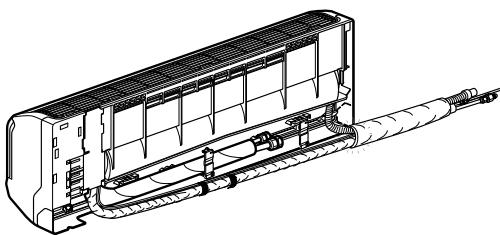


Insert the connecting cable into the indoor unit.

- Don't connect the cable to the indoor unit.
- Make a small loop with the cable for easy connection later.

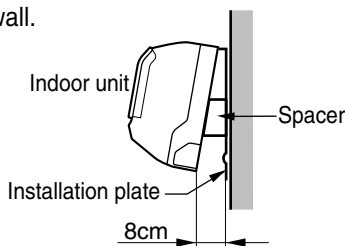
Tape the drain hose and the connecting cable.

- Connecting cable



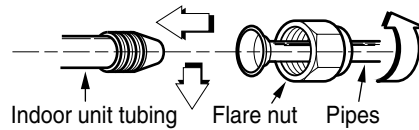
Indoor unit installation

- Hang the indoor unit from the hooks at the top of the installation plate.
- Insert the spacer etc. between the indoor unit and the installation plate and separate the bottom of the indoor unit from the wall.

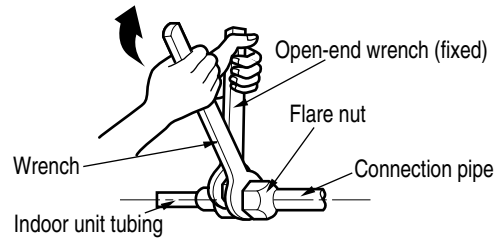


Connecting the pipings to the indoor unit and the drain hose to drain pipe.

- Align the center of the pipes and sufficiently tighten the flare nut by hand.

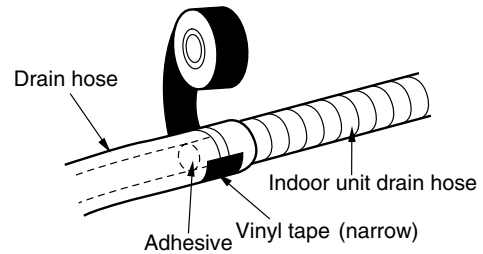


- Tighten the flare nut with a wrench.



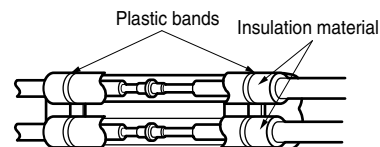
Outside diameter		Torque kg·m
mm	inch	
Ø6.35	1/4	1.8
Ø9.52	3/8	4.2
Ø12.7	1/2	5.5
Ø15.88	5/8	6.6
Ø19.05	3/4	6.6

- When extending the drain hose at the indoor unit, install the drain pipe.

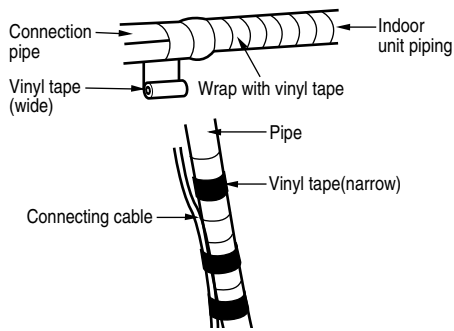


Wrap the insulation material around the connecting portion.

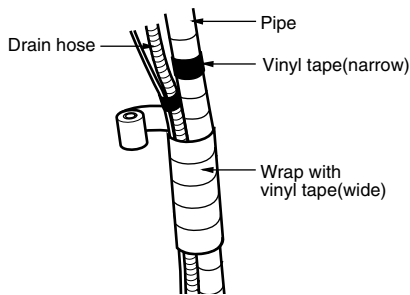
- Overlap the connection pipe heat insulation and the indoor unit pipe heat insulation material. Bind them together with vinyl tape so that there is no gap.



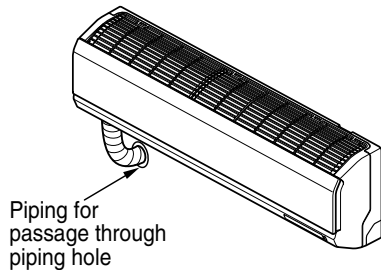
- Wrap the area which accommodates the rear piping housing section with vinyl tape.



- Bundle the piping and drain hose together by wrapping them with cloth tape over the range within which they fit into the rear piping housing section.

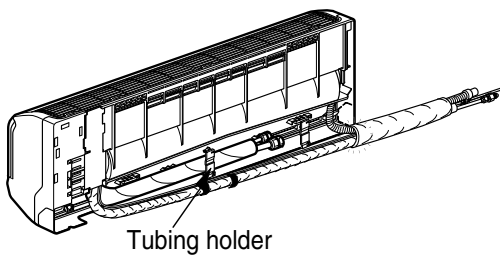


Reroute the pipings and the drain hose across the back of the chassis.



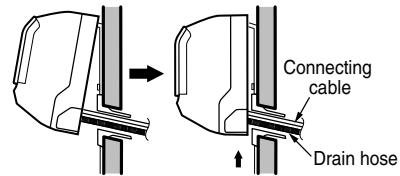
Set the pipings and the drain hose to the back of the chassis with the tubing holder.

- Hook the edge of tubing holder to tap on chassis and push the bottom of tubing holder to be engaged at the bottom of chassis.



Indoor unit installation

- Remove the spacer.
- Ensure that the hooks are properly seated on the installation plate by moving it left and right.

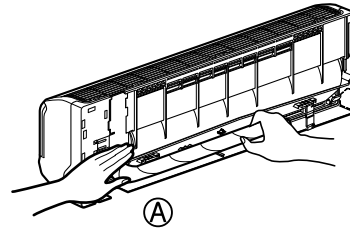


Press the lower left and right sides of the unit against the installation plate until the hooks engage into their slots (clicking sound).

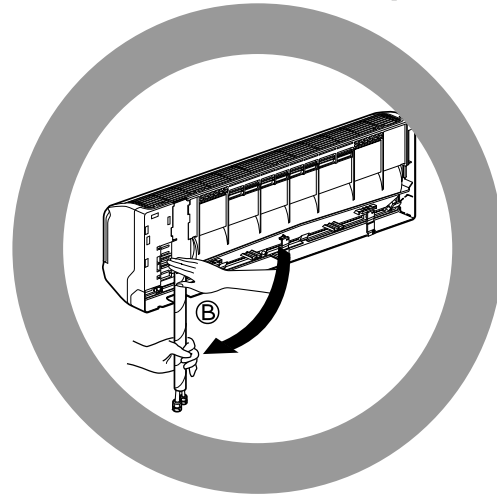
CAUTION

Installation Information (For left piping)

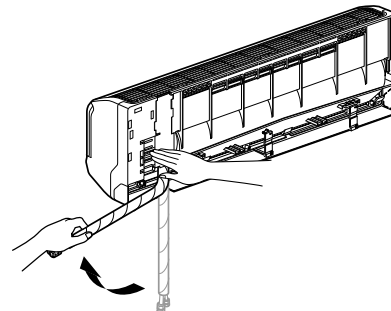
- Good case
For left piping. Follow the instruction below.
- Press on the upper side of clamp. (A)



- Unfold the tubing to downward slowly. (B)

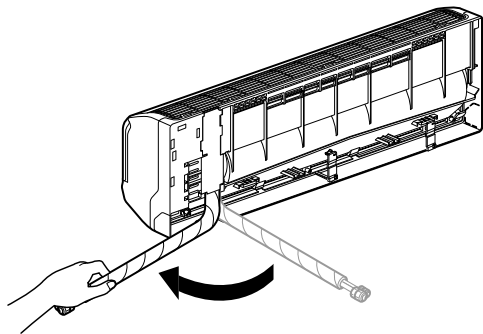
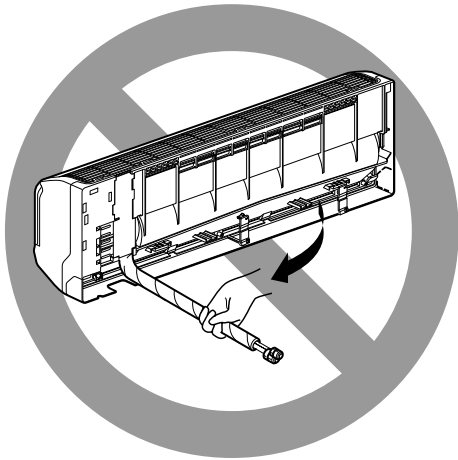
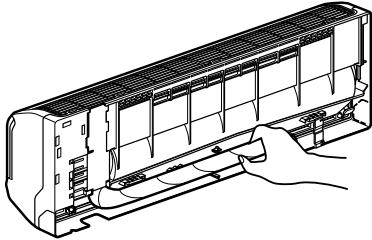


- Bend the tubing to the left side of chassis.



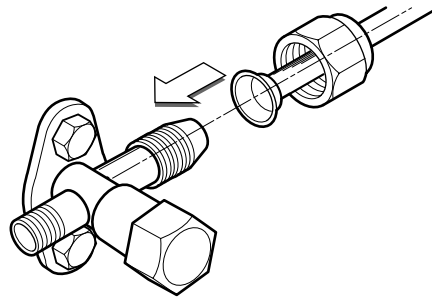
CAUTION

- Bad case
- Following bending type from right to left could cause problem of pipe damage.



Connection of the pipes-Outdoor

Align the center of the pipings and sufficiently tighten the flare nut by hand.

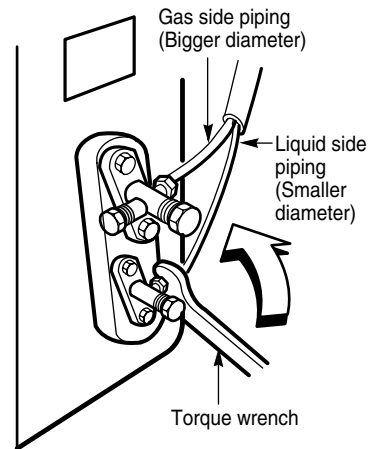


Finally, tighten the flare nut with torque wrench until the wrench clicks.

- When tightening the flare nut with torque wrench, ensure the direction for tightening follows the arrow on the wrench.

Outside diameter		Torque
mm	inch	kg-m
Ø6.35	1/4	1.8
Ø9.52	3/8	4.2
Ø12.7	1/2	5.5
Ø15.88	5/8	6.6
Ø19.05	3/4	6.6

Outdoor unit



Connecting the cable between indoor unit and outdoor unit

Connect the cable to the Indoor unit.

- Connect the cable to the indoor unit by connecting the wires to the terminals on the control board individually according to the outdoor unit connection. (Ensure that the color of the wires of the outdoor unit and the terminal No. are the same as those of the indoor unit.). The earth wire should be longer than the common wires.

The above circuit diagram is subject to change without notice. When installing, refer to the circuit diagram on the control box inside Indoor Unit.

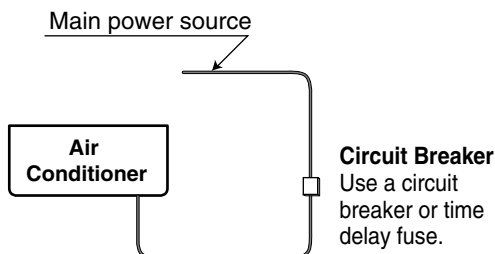
- When installing, refer to the circuit diagram on the Control Box of Indoor Unit.
- When installing, refer to the wiring diagram on the Control Cover Inside Outdoor Unit.

⚠ CAUTION

- The above circuit diagram is subject to change without notice.
- Be sure to connect wires according to the wiring diagram.
- Connect the wires firmly, so that not to be pulled out easily.
- Connect the wires according to color codes by referring the wiring diagram.

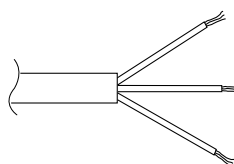
⚠ CAUTION

- If a power plug is not to be used, provide a circuit breaker between power source and the unit as shown below.



⚠ CAUTION

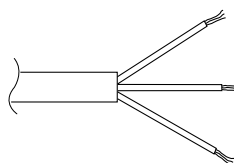
The power cord connected to the "A" unit should be complied with the following specifications (Type "B" approved by HAR or SAA).



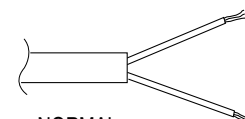
(mm²)

NORMAL CROSS-SECTIONAL AREA	Grade					
	5k-9k	12k	14K-18k	24k-28k	30k, 32k	36k, 38k
	1.0	1.0	1.5	2.5	2.5	5.5
Unit(A)	Indoor	Indoor	Indoor	Indoor	Outdoor	Outdoor
Cable Type(B)	H05VV-F	H05VV-F	H05VV-F	H05VV-F	H05RN-F	H05RN-F

The power connecting cable connected to the indoor and outdoor unit should be complied with the following specifications (Type "B" approved by HAR or SAA).



(mm²)



NORMAL CROSS-SECTIONAL AREA 0.75mm²

NORMAL CROSS-SECTIONAL AREA	Grade		
	5k-12k	14k-18k	24k-28k
	1.0	1.5	2.5
Cable Type(B)	H07RN-F	H07RN-F	H07RN-F

Connect the cable to the outdoor unit

Remove the control cover from the unit by loosening the screw.

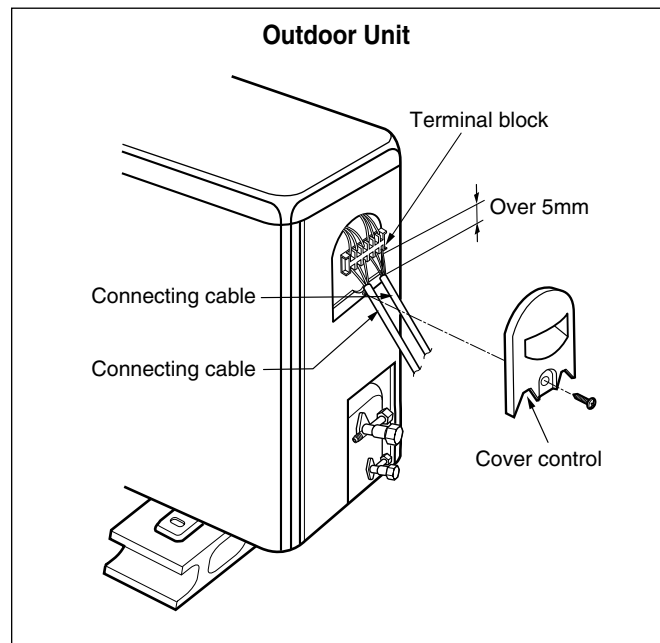
Connect the wires to the terminals on the control board individually.

Secure the cable onto the control board with the cord clamp.

Refix the control cover to the original position with the screw.

Use a recognized circuit breaker "A" between the power source and the unit. A disconnecting device to adequately disconnect all supply lines must be fitted.

Circuit Breaker (A)	Grade				
	5k~14k	18k	24k~28k	30k, 32k	36k, 38k
	15	20	30	30	40



⚠ CAUTION

After the confirmation of the above conditions, prepare the wiring as follows:

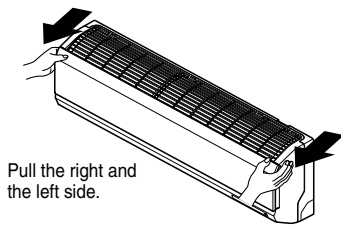
- 1) Never fail to have an individual power circuit specifically for the air conditioner. As for the method of wiring, be guided by the circuit diagram posted on the inside of control cover.
- 2) The screw which fasten the wiring in the casing of electrical fittings are liable to come loose from vibrations to which the unit is subjected during the course of transportation. Check them and make sure that they are all tightly fastened. (If they are loose, it could cause burn-out of the wires.)
- 3) Specification of power source.
- 4) Confirm that electrical capacity is sufficient.
- 5) See to that the starting voltage is maintained at more than 90 percent of the rated voltage marked on the name plate.
- 6) Confirm that the cable thickness is as specified in the power source specification. (Particularly note the relation between cable length and thickness. (Refer to page 26))
- 7) Always install an earth leakage circuit breaker in a wet or moist area.
- 8) The following would be caused by voltage drop.
 - Vibration of a magnetic switch, which will damage the contact point, fuse breaking, disturbance of the normal function of the overload.
- 9) The means for disconnection from a power supply shall be incorporated in the fixed wiring and have an air gap contact separation of at least 3mm in each active(phase) conductors.

Checking the drainage and forming the pipings

Checking the drainage

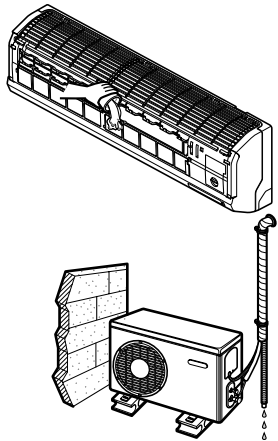
To remove the front panel from the indoor unit.

- Set the air direction louvers up-and-down to the position(horizontally) by hand.
- Remove the securing screws that retain the front panel. Pull the lower left and right sides of the grille toward you and lift it off.



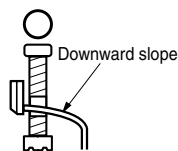
To check the drainage.

- Pour a glass of water on the evaporator.
- Ensure the water flows through the drain hose of the indoor unit without any leakage and goes out the drain exit.

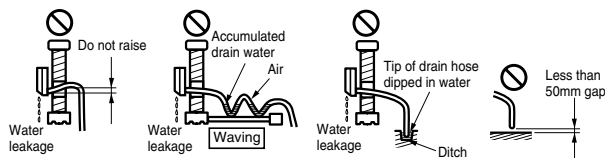


Drain piping

- The drain hose should point downward for easy drain flow.



- Do not make drain piping.



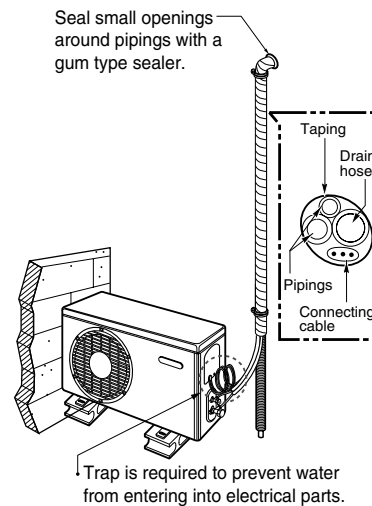
Form the piping

Form the piping by wrapping the connecting portion of the indoor unit with insulation material and secure it with two kinds of vinyl tapes.

- If you want to connect an additional drain hose, the end of the drain outlet should be routed above the ground. Secure the drain hose appropriately.

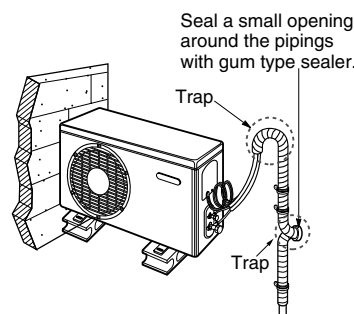
In cases where the outdoor unit is installed below the indoor unit perform the following.

- Tape the piping, drain hose and connecting cable from down to up.
- Secure the tapped piping along the exterior wall using saddle or equivalent.



In cases where the Outdoor unit is installed above the Indoor unit perform the following.

- Tape the piping and connecting cable from down to up.
- Secure the taped piping along the exterior wall. Form a trap to prevent water entering the room.
- Fix the piping onto the wall by saddle or equivalent.



AIR PURGING

Air purging

Air and moisture remaining in the refrigerant system have undesirable effects as indicated below.

- Pressure in the system rises.
- Operating current rises.
- Cooling(or heating) efficiency drops.
- Moisture in the refrigerant circuit may freeze and block capillary tubing.
- Water may lead to corrosion of parts in the refrigeration system.

Therefore, the indoor unit and tubing between the indoor and outdoor unit must be leak tested and evacuated to remove any noncondensables and moisture from the system.

Air purging with vacuum pump

Preparation

- Check that each tube(both liquid and gas side tubes) between the indoor and outdoor units have been properly connected and all wiring for the test run has been completed. Remove the service valve caps from both the gas and the liquid side on the outdoor unit. Note that both the liquid and the gas side service valves on the outdoor unit are kept closed at this stage.

Leak test

- Connect the manifold valve(with pressure gauges) and dry nitrogen gas cylinder to this service port with charge hoses.

⚠ CAUTION

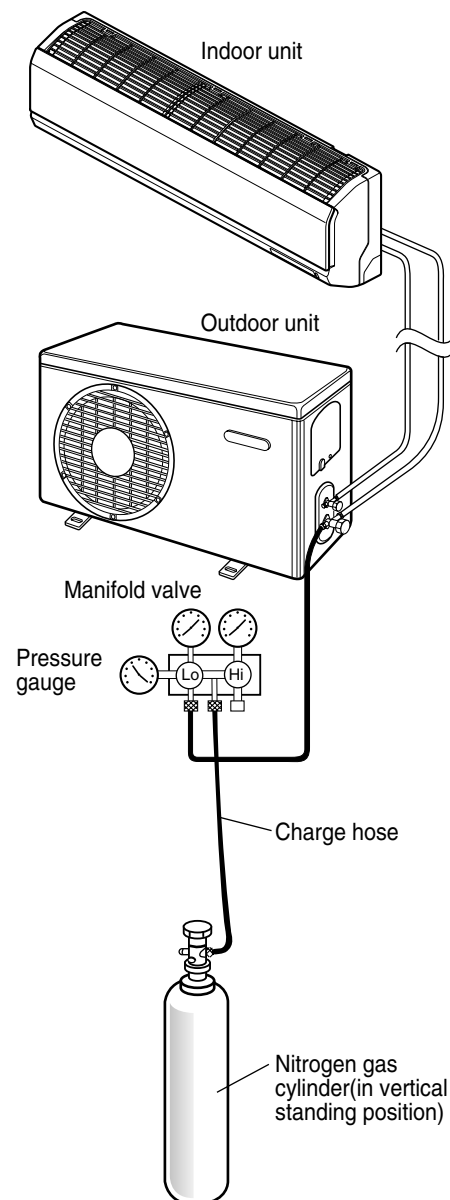
Be sure to use a manifold valve for air purging. If it is not available, use a stop valve for this purpose. The "Hi" knob of the manifold valve must always be kept close.

- Pressurize the system to no more than 150 P.S.I.G. with dry nitrogen gas and close the cylinder valve when the gauge reading reached 150 P.S.I.G. Next, test for leaks with liquid soap.

⚠ CAUTION

To avoid nitrogen entering the refrigerant system in a liquid state, the top of the cylinder must be higher than its bottom when you pressurize the system. Usually, the cylinder is used in a vertical standing position.

- Do a leak test of all joints of the tubing(both indoor and outdoor) and both gas and liquid side service valves. Bubbles indicate a leak. Be sure to wipe off the soap with a clean cloth.
- After the system is found to be free of leaks, relieve the nitrogen pressure by loosening the charge hose connector at the nitrogen cylinder. When the system pressure is reduced to normal, disconnect the hose from the cylinder.



Soap water method

- (1) Remove the caps from the 2-way and 3-way valves.
- (2) Remove the service-port cap from the 3-way valve.
- (3) To open the 2-way valve turn the valve stem counter-clockwise approximately 90°, wait for about 2~3 sec, and close it.
- (4) Apply a soap water or a liquid neutral detergent on the indoor unit connection or outdoor unit connections by a soft brush to check for leakage of the connecting points of the piping.
- (5) If bubbles come out, the pipes have leakage.

Evacuation

- Connect the charge hose end described in the preceding steps to the vacuum pump to evacuate the tubing and indoor unit.
- Confirm the "Lo" knob of the manifold valve is open. Then, run the vacuum pump.
- The operation time for evacuation varies with tubing length and capacity of the pump. The following table shows the time required for evacuation.

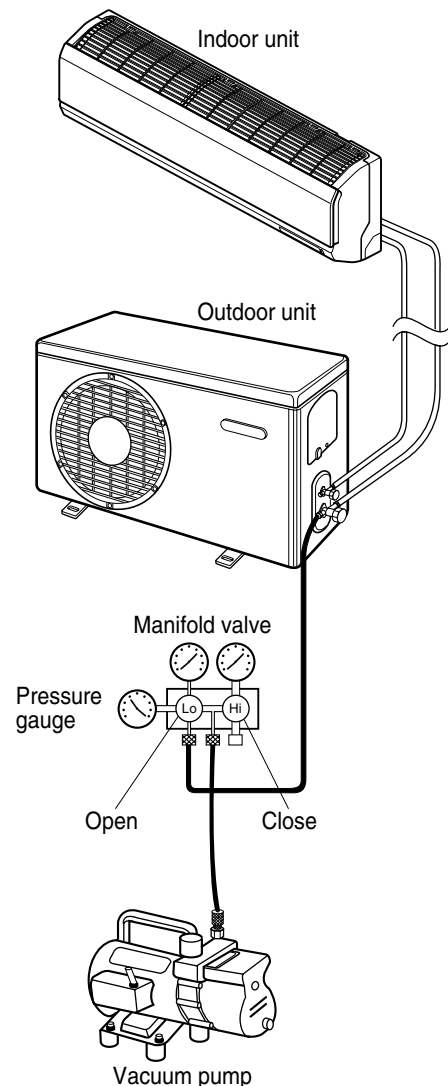
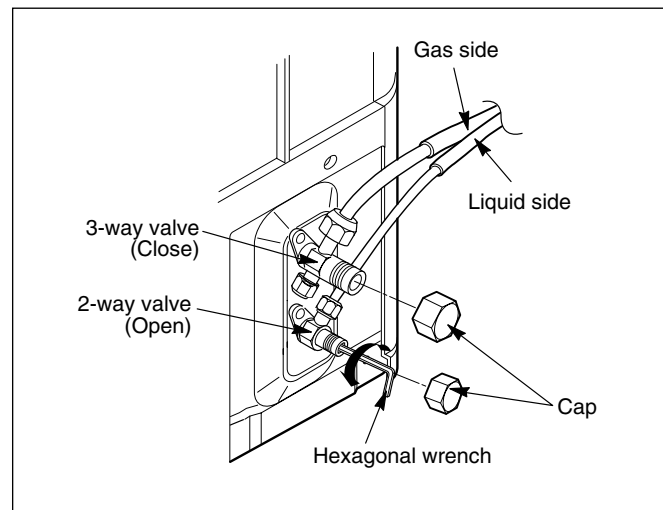
Required time for evacuation when 30 gal/h vacuum pump is used	
If tubing length is less than 10m (33 ft)	if tubing length is longer than 10m (33 ft)
10 min. or more	15 min. or more

- When the desired vacuum is reached, close the "Lo" knob of the manifold valve and stop the vacuum pump.

Finishing the job

- With a service valve wrench, turn the valve stem of liquid side valve counter-clockwise to fully open the valve.
- Turn the valve stem of gas side valve counter-clockwise to fully open the valve.
- Loosen the charge hose connected to the gas side service port slightly to release the pressure, then remove the hose.
- Replace the flare nut and its bonnet on the gas side service port and fasten the flare nut securely with an adjustable wrench. This process is very important to prevent leakage from the system.
- Replace the valve caps at both gas and liquid side service valves and fasten them tight.

This completes air purging with a vacuum pump.
The air conditioner is now ready to test run.

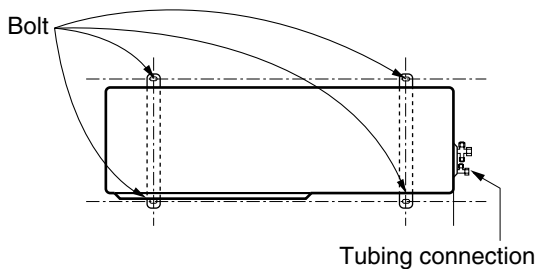


TEST RUNNING

1. Check that all tubing and wiring have been properly connected.
2. Check that the gas and liquid side service valves are fully open.

Settlement of outdoor unit

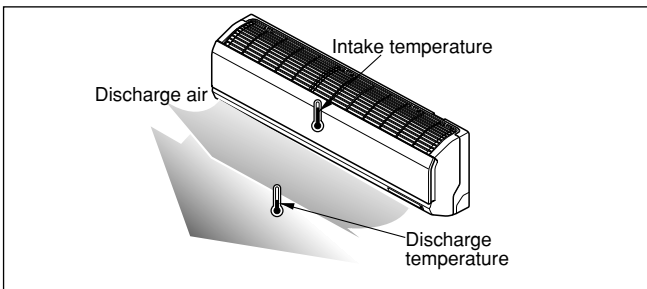
- Anchor the outdoor unit with a bolt and nut(ø10mm) tightly and horizontally on a concrete or rigid mount.
- When installing on the wall, roof or rooftop, anchor the mounting base securely with a nail or wire assuming the influence of wind and earthquake.
- In the case when the vibration of the unit is conveyed to the hose, secure the unit with an anti-vibration bushing.



Evaluation of the performance

Operate unit for 15~20 minutes, then check the system refrigerant charge:

1. Measure the pressure of the gas side service valve.
2. Measure the temperature of the intake and discharge of air.
3. Ensure the difference between the intake temperature and the discharge is more than 8°C(46°F) (Cooling) or (Heating).



4. For reference; the gas side pressure of optimum condition is as below.(Cooling)

Refrigerant	Outside ambient TEMP.	The pressure of the gas side service valve.
R-22	35°C (95°F)	4~5kg/cm ² G(56.8~71.0 P.S.I.G.)
R-410A	35°C (95°F)	8.5~9.5kg/cm ² G(120~135 P.S.I.G.)

NOTE: If the actual pressure is higher than shown, the system is most likely over-charged, and charge should be removed. If the actual pressure are lower than shown, the system is most likely undercharged, and charge should be added.

The air conditioner is now ready for use.

PUMP DOWN

This is performed when the unit is to be relocated or the refrigerant circuit is serviced.

Pump Down means collecting all refrigerant in the outdoor unit without loss in refrigerant gas.

CAUTION:

Be sure to perform Pump Down procedure with the unit cooling mode.

Pump Down Procedure

1. Connect a low-pressure gauge manifold hose to the charge port on the gas side service valve.
2. Open the gas side service valve halfway and purge the air from the manifold hose using the refrigerant gas.
3. Close the liquid side service valve(all the way in).
4. Turn on the unit's operating switch and start the cooling operation.
5. When the low-pressure gauge reading becomes 1 to 0.5kg/cm² G(14.2 to 7.1 P.S.I.G.), fully close the gas side valve stem and then quickly turn off the unit. At that time, Pump Down has been completed and all refrigerant gas will have been collected in the outdoor unit.

Power-Failure Compensation Function User Selection ON/OFF

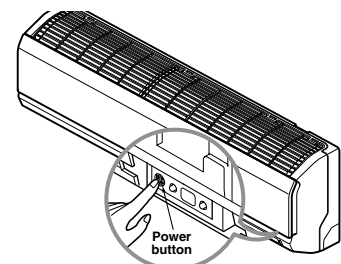
1) Operation Sequence

- ① Press the forced switch until BUZZER sounds 2 times (beep~beep~).
- ② Release the forced switch if BUZZER sounds.
- ③ Check the function selection ON/OFF with the operation LED.

2) Checking function-selection ON/OFF

- Function-Selection ON: One time blinking of operation LED would repeat 4 times.

- Function-Selection OFF: Two times blinking of operation LED would repeat 4 times.



Operation

Function of Controls

• DISPLAY

1) C/O Model

Operation Indicator

- ON while in appliance operation, OFF while in appliance pause.
- Flashing while in disconnection or short in Thermistor. (3 sec off / 0.5 sec on)

Timer Indicator

- ON while in timer mode (on/off), OFF when timer mode is completed or canceled.

Comp. Running Indicator

- While in appliance operation, ON while in outdoor unit compressor running, OFF while in compressor off.

2) H/P Model

Operation Indicator

- ON while in appliance operation, OFF while in appliance pause.
- Flashing while in disconnection or short in Thermistor. (3 sec off / 0.5 sec on)

Timer Indicator

- ON while in timer mode (on/off), OFF when timer mode is completed or canceled.

Defrost Indicator

- OFF except when hot start during heating mode operation or while in defrost control.

■ Cooling Mode Operation

- When the intake air temperature reaches 0.5°C below the setting temp, the compressor and the outdoor fan stop.
- When it reaches 0.5°C above the setting temp, they start to operate again.

Compressor ON Temp	⇒ Setting Temp+0.5°C
Compressor OFF Temp	⇒ Setting Temp-0.5°C
- While in compressor running, operating with the airflow speed set by the remote control. While in compressor not running, operating with the low airflow speed regardless of the setting.

■ Healthy Dehumidification Mode

- When the dehumidification operation input by the remote control is received, the intake air temperature is detected and the setting temp is automatically set according to the intake air temperature.

26°C ≤ Intake Air Temp	⇒ 25°C
24°C ≤ Intake Air Temp < 26°C	⇒ Intake Air Temp - 1°C
18°C ≤ Intake Air Temp < 24°C	⇒ Intake Air Temp - 0.5°C
Intake Air Temp < 18°C	⇒ 18°C

- While in compressor off, the indoor fan repeats low airflow speed and pause.
- While the intake air temp is between compressor on temp. and compressor off temp., 10-min dehumidification operation and 4-min compressor off repeat.
Compressor ON Temp. ↻ Setting Temp+0.5°C
Compressor OFF Temp. ↻ Setting Temp-0.5°C
- In 10-min dehumidification operation, the indoor fan operates with the low airflow speed.

■ Heating Mode Operation

- When the intake air temp reaches +3°C above the setting temp, the compressor is turned off. When reaches the setting temp, the compressor is turned on.
Compressor ON Temp. ↻ Setting Temp.
Compressor OFF Temp. ↻ Setting Temp.+3°C
- While in compressor on, the indoor fan is off when the indoor pipe temp. is below 20°C, when above 28°C , it operates with the low or setting airflow speed. When the indoor pipe temp is between 20°C and 28°C, it operates with Super-Low(while in sleep mode, with the medium airflow speed).
- While in compressor off, the indoor fan is off when the indoor pipe temp is below 33°C, when above 35°C , it operates with the low airflow speed.
- If overloaded while in heating mode operation, in order to prevent the compressor from OLP operation, the outdoor fan is turned on/off according to the indoor pipe temp.
- While in defrost control, both of the indoor and outdoor fans are turned off.

■ Defrost Control

- While in heating mode operation in order to protect the evaporator pipe of the outdoor unit from freezing, reversed to cooling cycle to defrost the evaporator pipe of the outdoor unit.
- After 40 min heating mode operation, at 4 min interval, whether to carry out defrost control or not and the time of defrost control are determined according to the following conditions.
 - 1) While in heating mode operation, the maximum of the indoor pipe temperature is measured and it is compared with the present indoor pipe temperature to get the difference of the indoor pipe temperatures (=the maximum temperature of indoor pipe ? the present temperature of indoor pipe), according to which, whether to carry out defrost control or not is determined.
 - 2) According to the need of defrost control shown above and the elapsed time of heating mode operation at that moment, the defrost control time is determined.
 - 3) When the determined time of defrost control is below 7 min, heating mode operation continues without carrying out defrost control. According to the procedure stated above, the determination is made again. When the defrost control time is 7 min or longer, defrost control is then carried out.
- While in defrost control, the minimum temp of the indoor pipe is measured and it is compared with the present temp of the indoor pipe to get the difference of the indoor pipe temperatures (=the present temperature of the indoor pipe ? the minimum temperature of the indoor pipe). When the difference is 5°C or higher, defrost control is completed and heating mode operation is carried out.
- While in defrost control, if the defrost time determined before the start of defrost control is completed, defrost control stops and heating mode operation is carried out regardless of the above condition.
- When the indoor pipe temp is 42°C or above, defrost control is not carried out even if the condition is one of the defrost conditions above.
- While in defrost control, the compressor is on and the indoor fan, the outdoor fan, and the 4 way valve are off.

■ Airflow Speed Selection

- The airflow speed of the indoor fan is set to high, medium, low, or chaos (auto) by the input of the airflow speed selection key on the remote control.

■ Sleep Timer Operation

- When the sleep time is reached after <1,2,3,4,5,6,7,0(cancel) hr> is input by the remote control while in appliance operation, the operation of the appliance stops.
- While the appliance is on pause, the sleep timer mode cannot be input.
- While in cooling mode operation, 30 min later since the start of the sleep timer, the setting temperature increases by 1°C. After another 30 min elapse, it increases by 1°C again.
- When the sleep timer mode is input while in cooling cycle mode, the airflow speed of the indoor fan is set to the low.
- When the sleep timer mode is input while in heating cycle mode, the airflow speed of the indoor fan is set to the medium.

■ Chaos Natural Wind Mode

- When the Chaos Natural Wind mode is selected and then operated, the high, medium, or low speed of the airflow mode is operated for 2~15 sec. randomly by the Chaos Simulation.

■ Jet Cool Mode Operation (C/O Model)

- If the Jet Cool key is input at any operation mode while in appliance operation, the Jet Cool mode operates.
- In the Jet Cool mode, the indoor fan is operated at super-high speed for 30 min at cooling mode operation.
- In the Jet Cool mode operation, the room temperature is controlled to the setting temperature, 18°C
- When the sleep timer mode is input while in the Jet Cool mode operation, the Jet Cool mode has the priority.
- When the Jet Cool key is input, the upper/lower vanes are reset to those of the initial cooling mode and then operated in order that the air outflow could reach further.

■ Jet Cool Mode Operation (H/P Model)

- While in heating mode or Fuzzy operation, the Jet Cool key cannot be input. When it is input while in the other mode operation (cooling, dehumidification, ventilation), the Jet Cool mode is operated.
- In the Jet Cool mode, the indoor fan is operated at super-high speed for 30 min at cooling mode operation.
- In the Jet Cool mode operation, the room temperature is controlled to the setting temperature, 18°C.
- When the sleep timer mode is input while in the Jet Cool mode operation, the Jet Cool mode has the priority.
- When the Jet Cool key is input, the upper/lower vanes are reset to those of the initial cooling mode and then operated in order that the air outflow could reach further.

■ Forced Operation

- Operation procedures when the remote control can't be used.
- The operation will be started if the power button is pressed.
- If you want to stop operation, re-press the button.

	Cooling Model	Heat pump Model		
		Room Temp. ≥ 24°C	21°C ≤ Room Temp. < 24°C	Room Temp. < 21°C
Operating mode	Cooling	Cooling	Healthy Dehumidification	Heating
Indoor FAN Speed	High	High	High	High
Setting Temperature	22°C	22°C	23°C	24°C

- While in forced operation, the key input by the remote control has no effect and the buzzer sounds 10 times to indicate the forced operation.

■ Test operation

- During the TEST OPERATION, the unit operates in cooling mode at high speed fan, regardless of room temperature and resets in 18±1 minutes.
- During test operation, if remote controller signal is received, the unit operates as remote controller sets. If you want to use this operation, open the front panel upward and Press the power button let it be pressed for about 3 seconds.
- If you want to stop the operation, re-press the button.

■ Auto restart

- In case the power comes on again after a power failure, Auto Restarting Operation is the function to operate procedures automatically to the previous operating conditions.

■ Protection of the evaporator pipe from frosting

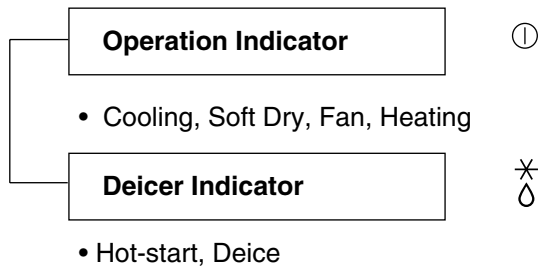
- If the indoor pipe temp is below 0°C in 7 min. after the compressor operates without any pause while in cooling cycle operation mode, the compressor and the outdoor fan are turned off in order to protect the indoor evaporator pipe from frosting.
- When the indoor pipe temp is 7°C or higher after 3 min. pause of the compressor, the compressor and the outdoor fan is turned on according to the condition of the room temperature.

■ Buzzer Sounding Operation

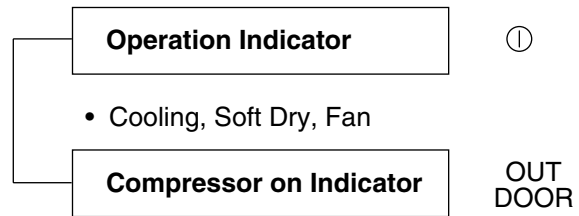
- When the appliance-operation key is input by the remote control, the short "beep-beep-" sounds.
- When the appliance-pause key is input by the remote control, the long "beep—" sounds.

Display Function

1. Heating Model



2. Cooling Model

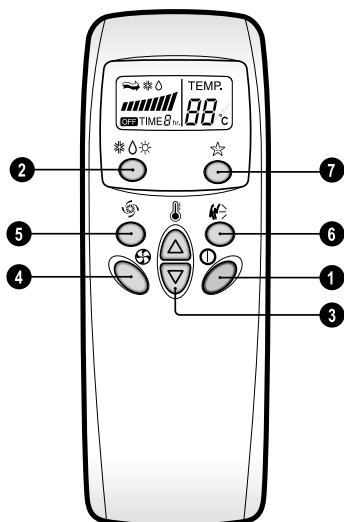
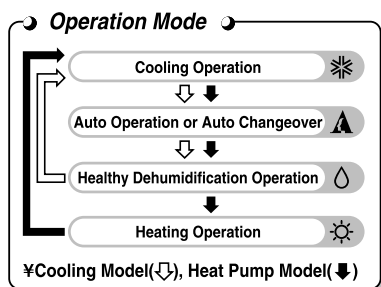
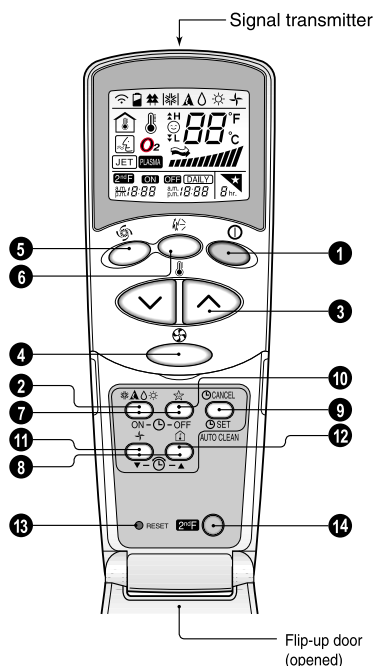


Self-diagnosis Function

Error Code	Error Display LED (Indoor body operation LED)	Error contents	SVC check point
1	<p>(once)</p> <p>3sec 3sec 3sec</p>	<ul style="list-style-type: none"> • Indoor room temperature thermistor open/short • Indoor pipe temperature thermistor open/short. 	<ul style="list-style-type: none"> • Indoor Thermistor assembly check

Remote Control Operation

The remote control transmits the signals to the system.



- 1 START/STOP BUTTON**
Operation starts when this button is pressed and stops when the button is pressed again.
- 2 OPERATION MODE SELECTION BUTTON**
Used to select the operation mode.
- 3 ROOM TEMPERATURE SETTING BUTTONS**
Used to select the room temperature.
- 4 INDOOR FAN SPEED SELECTOR**
Used to select fan speed in four steps low, medium, high and CHAOS.
- 5 JET COOL**
Used to start or stop the speed cooling. (Speed cooling operates super high fan speed in cooling mode.)
- 6 CHAOS SWING BUTTON**
Used to stop or start louver movement and set the desired up/down airflow direction.
- 7 ON/OFF TIMER BUTTONS**
Used to set the time of starting and stopping operation. (See page 17)
- 8 TIME SETTING BUTTONS**
Used to adjust the time. (See page 17)
- 9 TIMER SET/CANCEL BUTTON**
Used to set the timer when the desired time is obtained and to cancel the Timer operation. (See page 17)
- 10 SLEEP MODE AUTO BUTTON**
Used to set Sleep Mode Auto operation. (See page 17)
- 11 AIR CIRCULATION BUTTON**
Used to circulate the room air without cooling or heating. (See page 19)
- 12 ROOM TEMPERATURE CHECKING BUTTON**
Used to check the room temperature.
- 13 RESET BUTTON**
Used prior to resetting time or after replacing batteries.
- 14 2nd F Button**
Used prior to using modes printed in blue at the bottom of buttons. (See page 16)

Disassembly

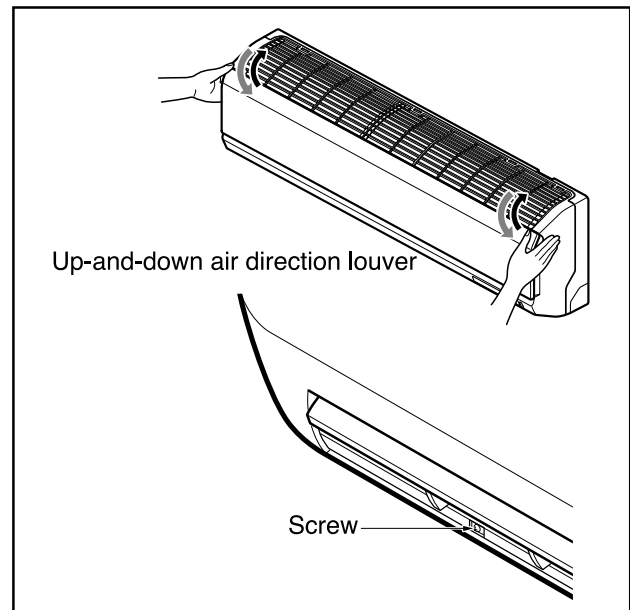
Indoor Unit

⚠ WARNING

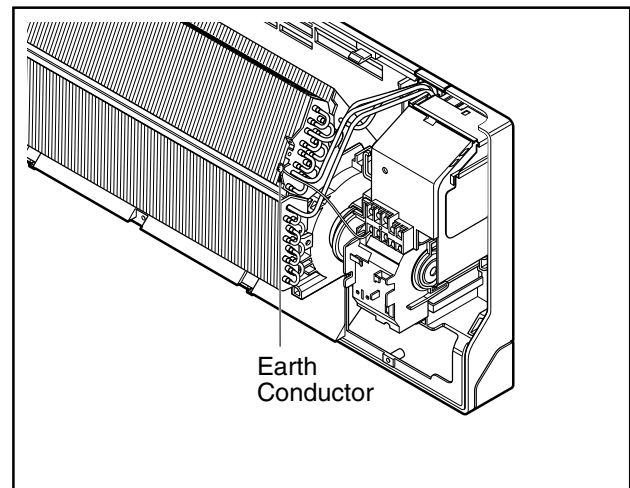
Disconnect the unit from power supply before making any checks.
Be sure the power switch is set to "OFF".

To remove the Grille from the Chassis.

- Set the up-and-down air discharge louver to open position (horizontally) by finger pressure.
- Remove the securing screws.
- To remove the Grille, pull the lower left and right side of the grille toward you (slightly tilted) and lift it straight upward.

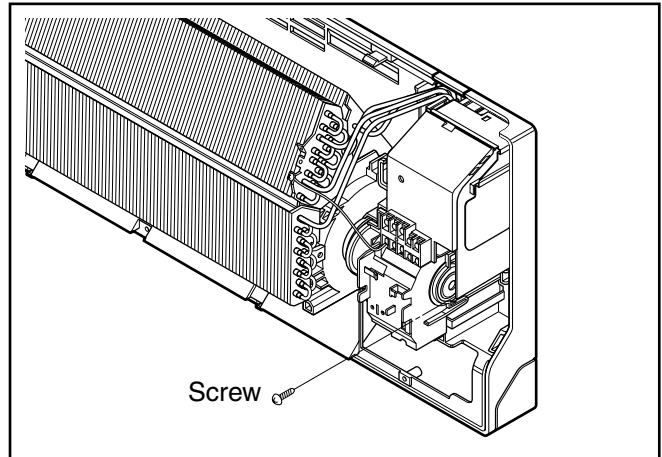


1. Before removing the control box, be sure to take out the wire screwed at the other end.



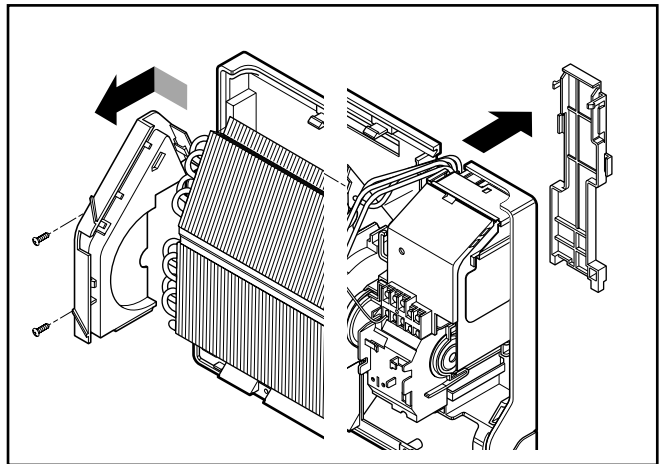
2. To remove the Control Box.

- Remove securing screws.
- Pull the control box out from the chassis carefully.



3. To remove the Discharge Grille.

- Unhook the discharge grille and pull the discharge grille out from the chassis carefully.

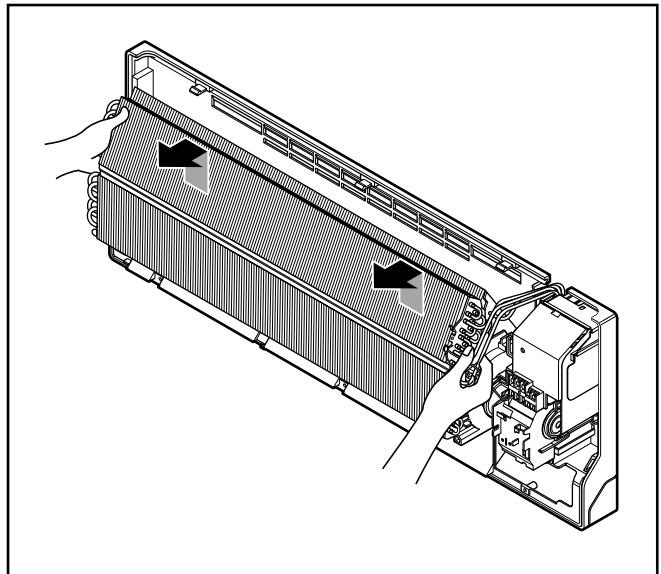


4. To remove the Evaporator.

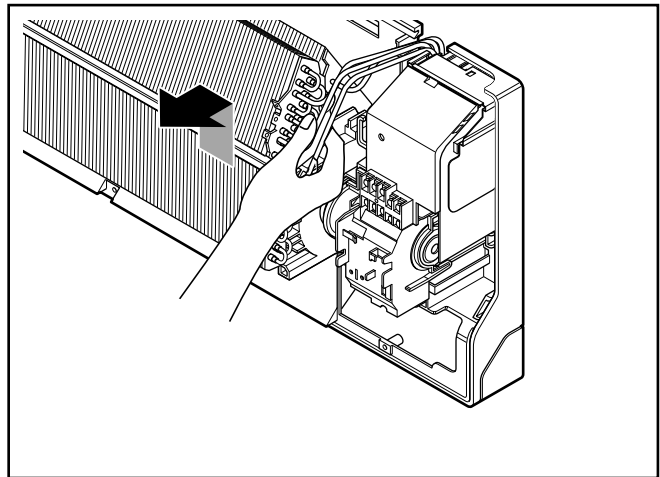
- Remove 3 screws securing the evaporator(at the left 2EA in the Eva Holder, at the right 1EA).

⚠ CAUTION

- When repair, do not damage the Caution label.

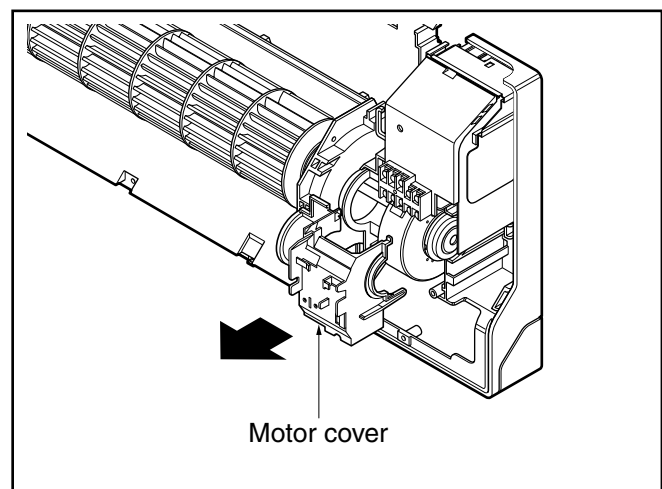


- Unhook the tab on the right inside of the chassis at the same time, slightly pull the evaporator toward you until the tab is clear of the slot.



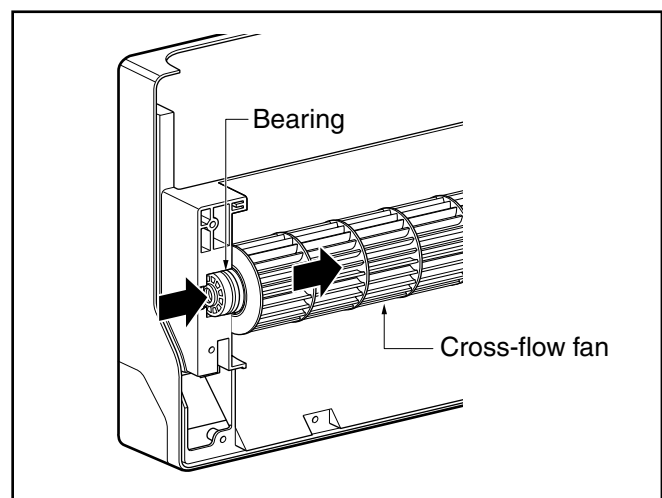
5. To remove the Motor Cover

- Remove 2 securing screw.
- Pull the motor cover out from the chassis carefully.



6. To remove the Cross-Flow Fan

- Loosen the screw securing the cross-flow fan to the fan motor (do not remove).
- Lift up the right side of the cross-flow fan and the fan motor, separate the fan motor from the cross-flow fan.

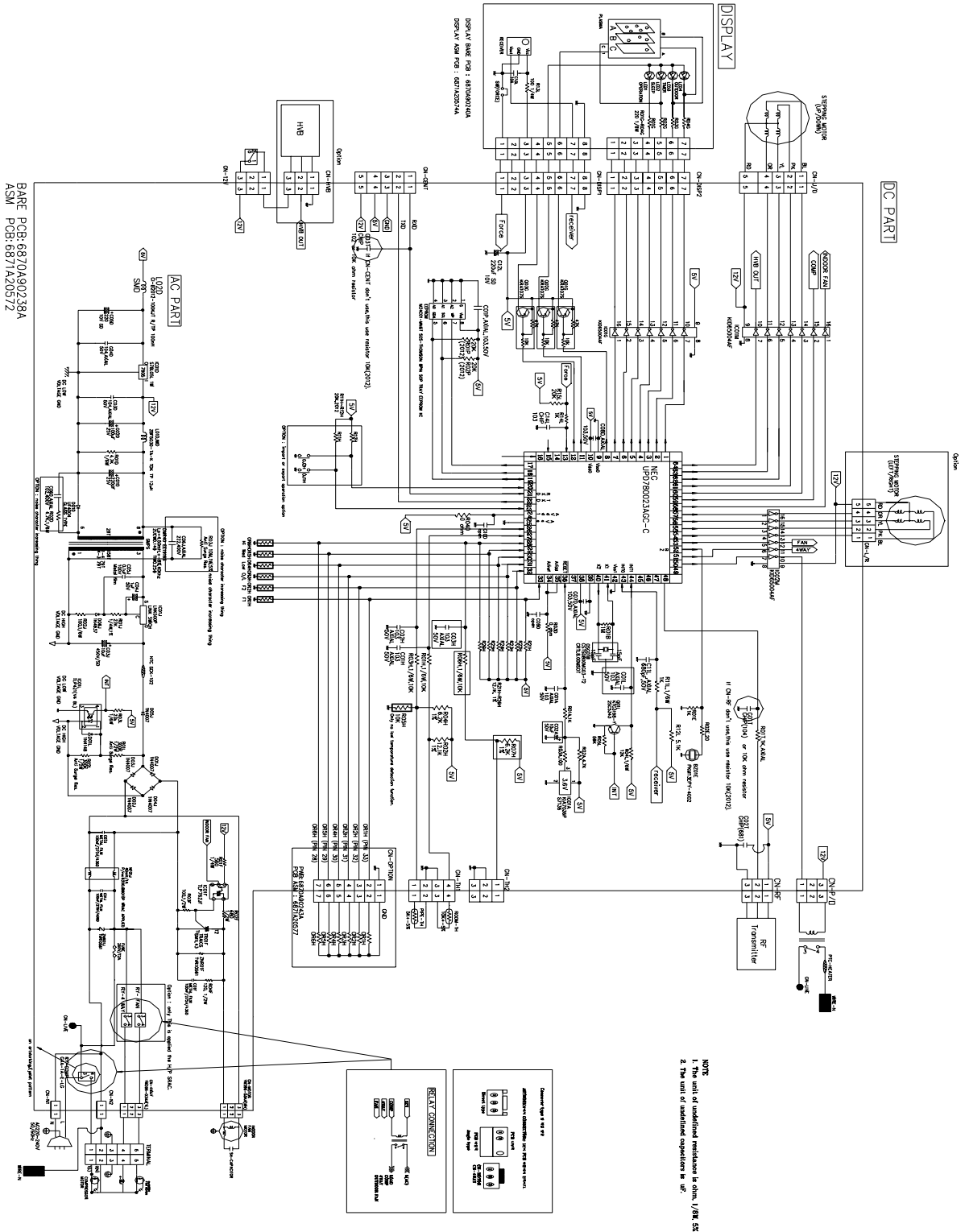


- Remove the left end of the cross-flow fan from the self-aligning bearing.

Schematic Diagram

Electric Control Device

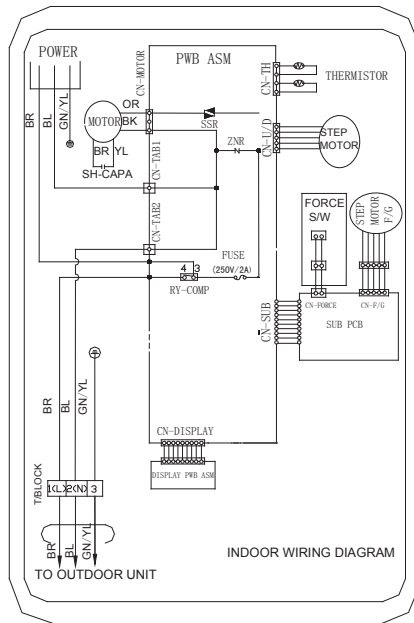
• Heat Pump Model(LED TYPE)



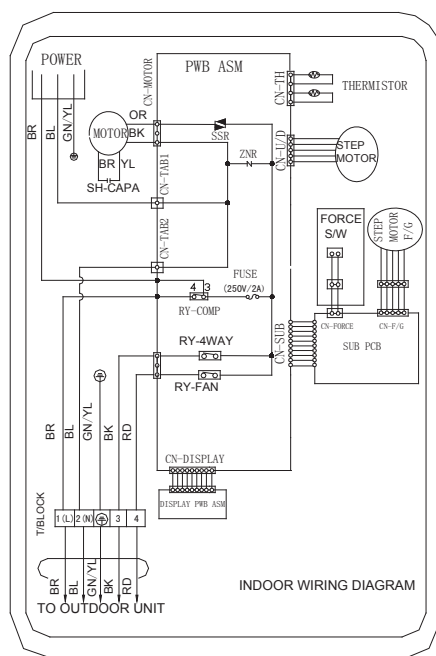
Wiring Diagram

Indoor Unit

Models: SE 9k,12k Cooling only Model



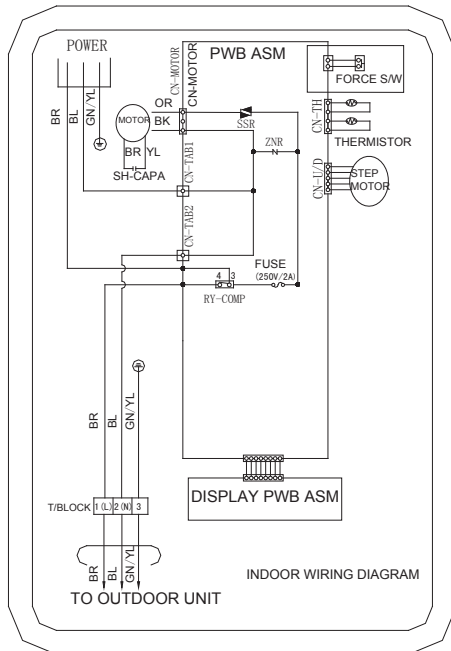
Models: SE 9k,12k Heat pump Model



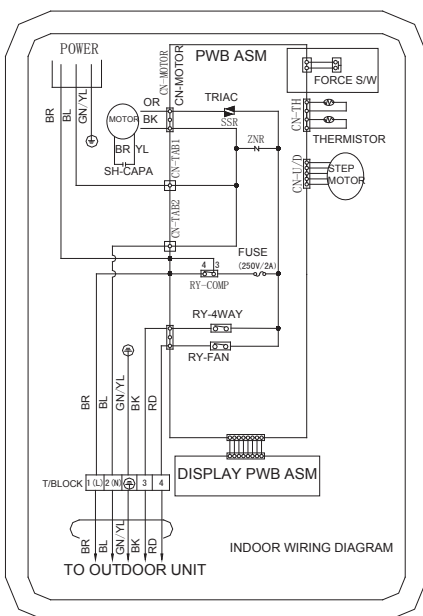
Wiring Diagram

Indoor Unit

Models: S 9k,S 12k Cooling only Model

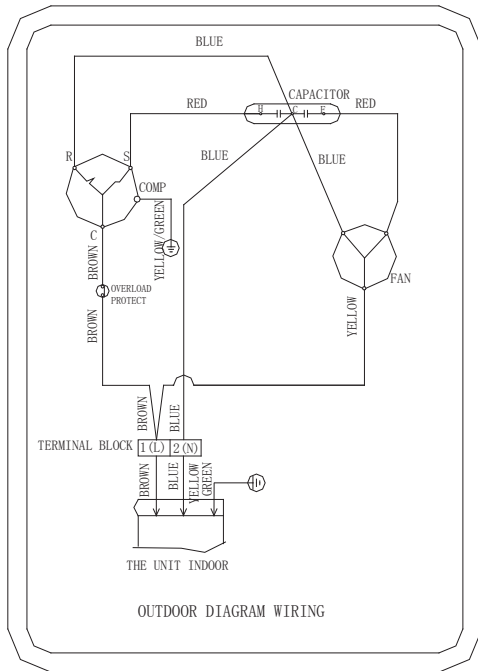


Models: SY 9k,ST 12k Heat pump Model

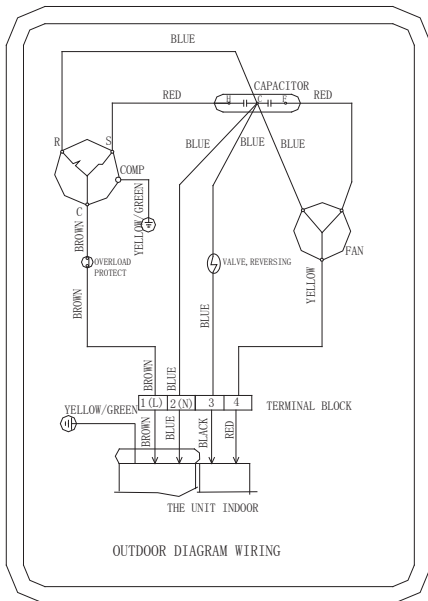


Outdoor Unit

Models: Cooling on l y Model



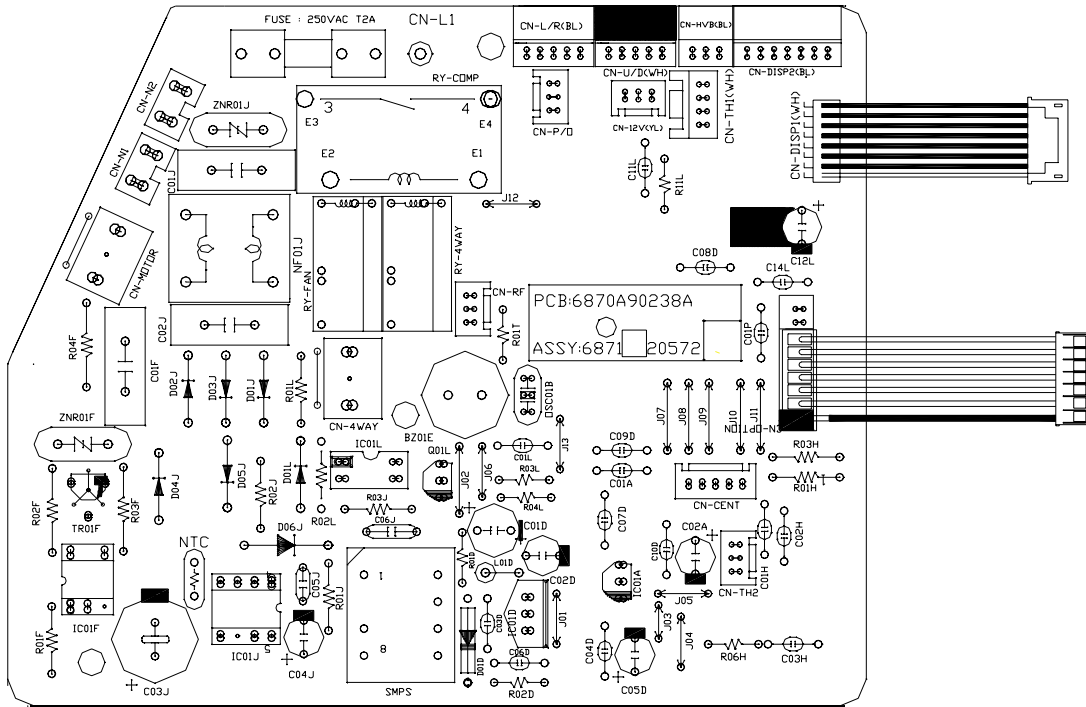
Models: Heat pump Model



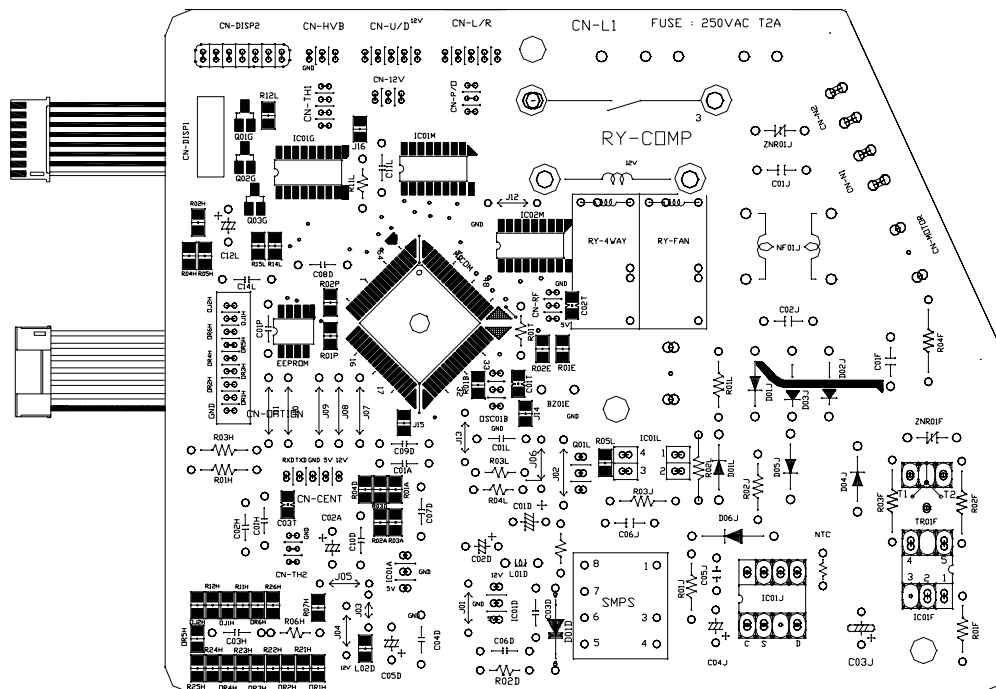
Components Location

MAIN P.W.B ASSEMBLY

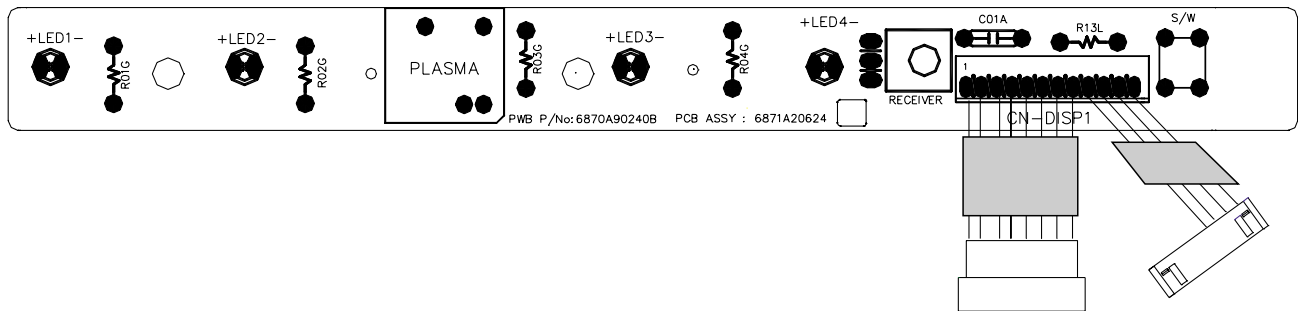
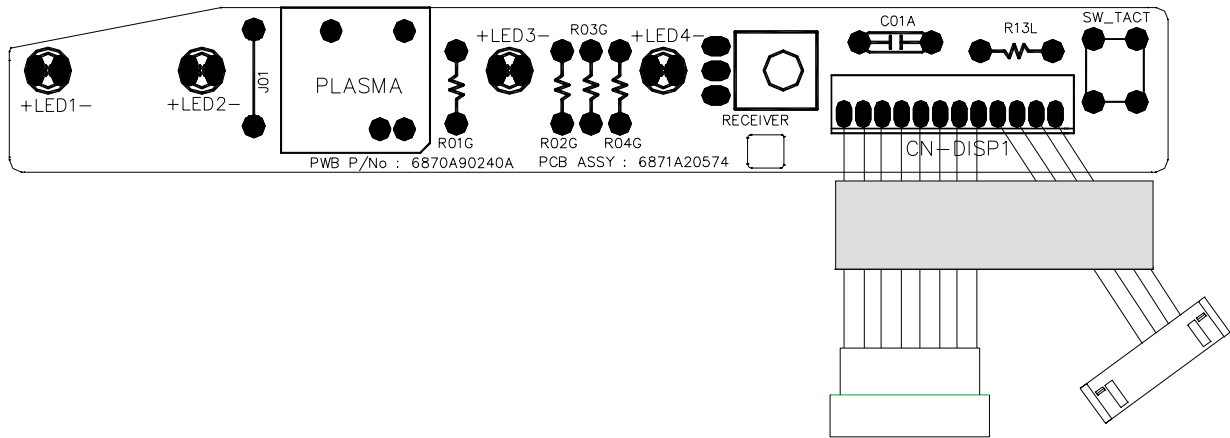
• TOP VIEW



• BOTTOM VIEW



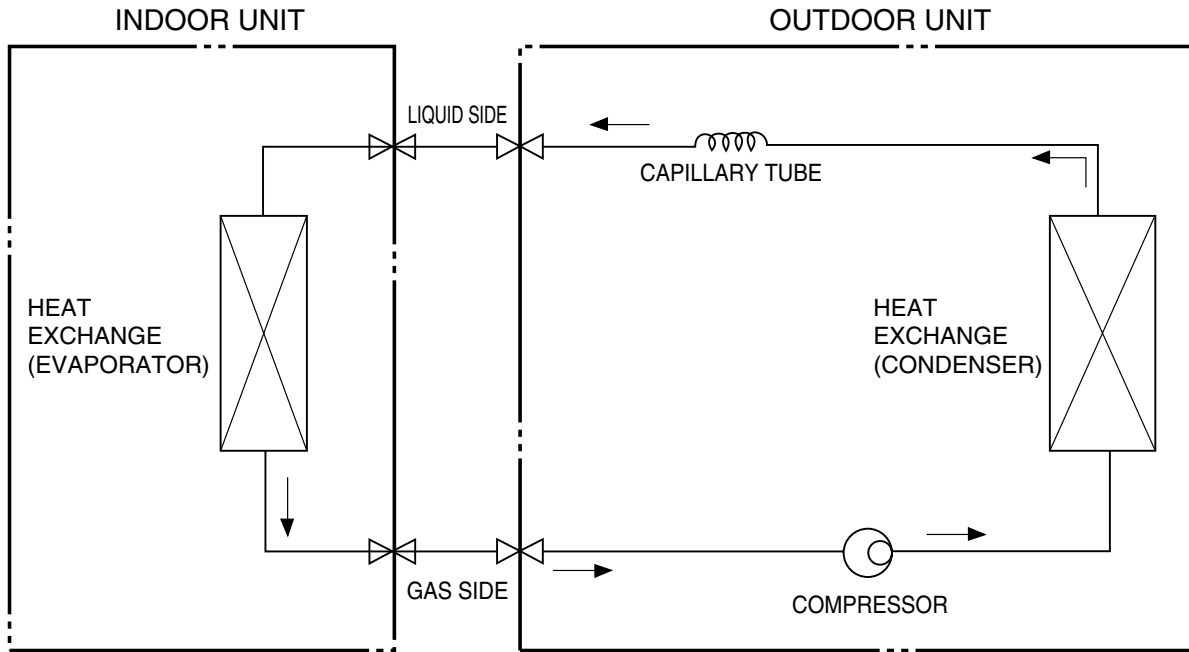
DISPLAY ASSEMBLY



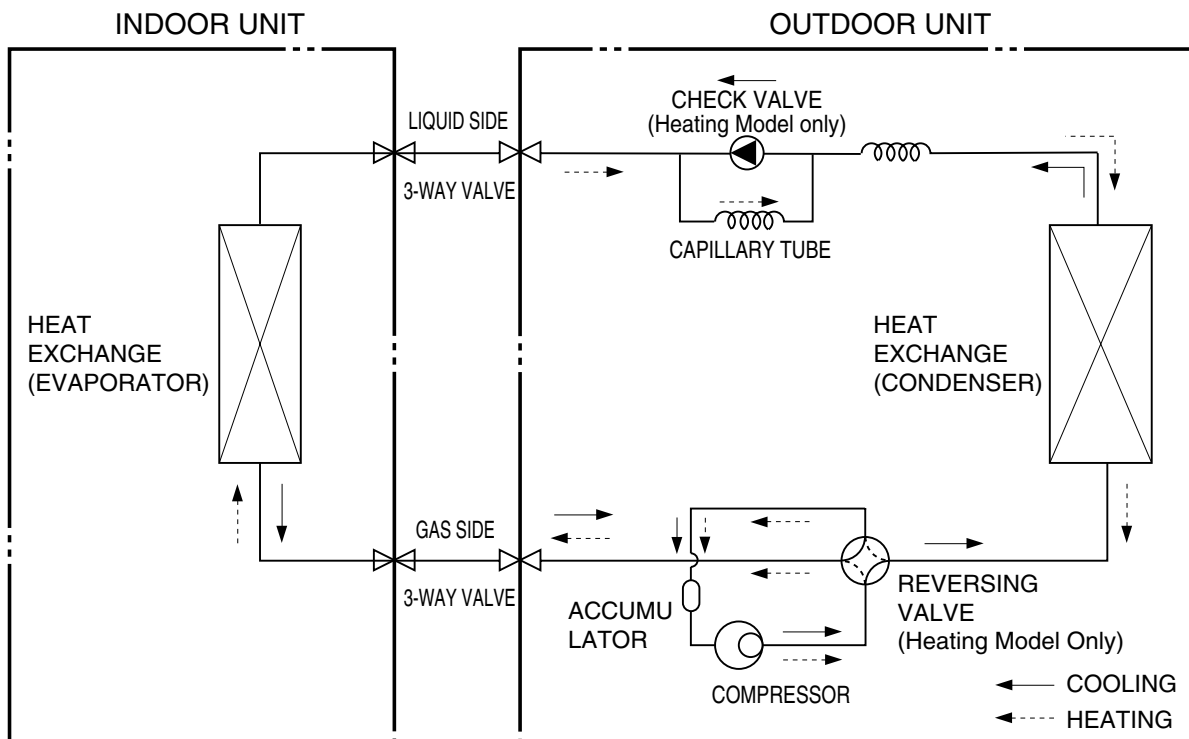
Troubleshooting Guide

Refrigeration Cycle Diagram

(1) Cooling Only Models



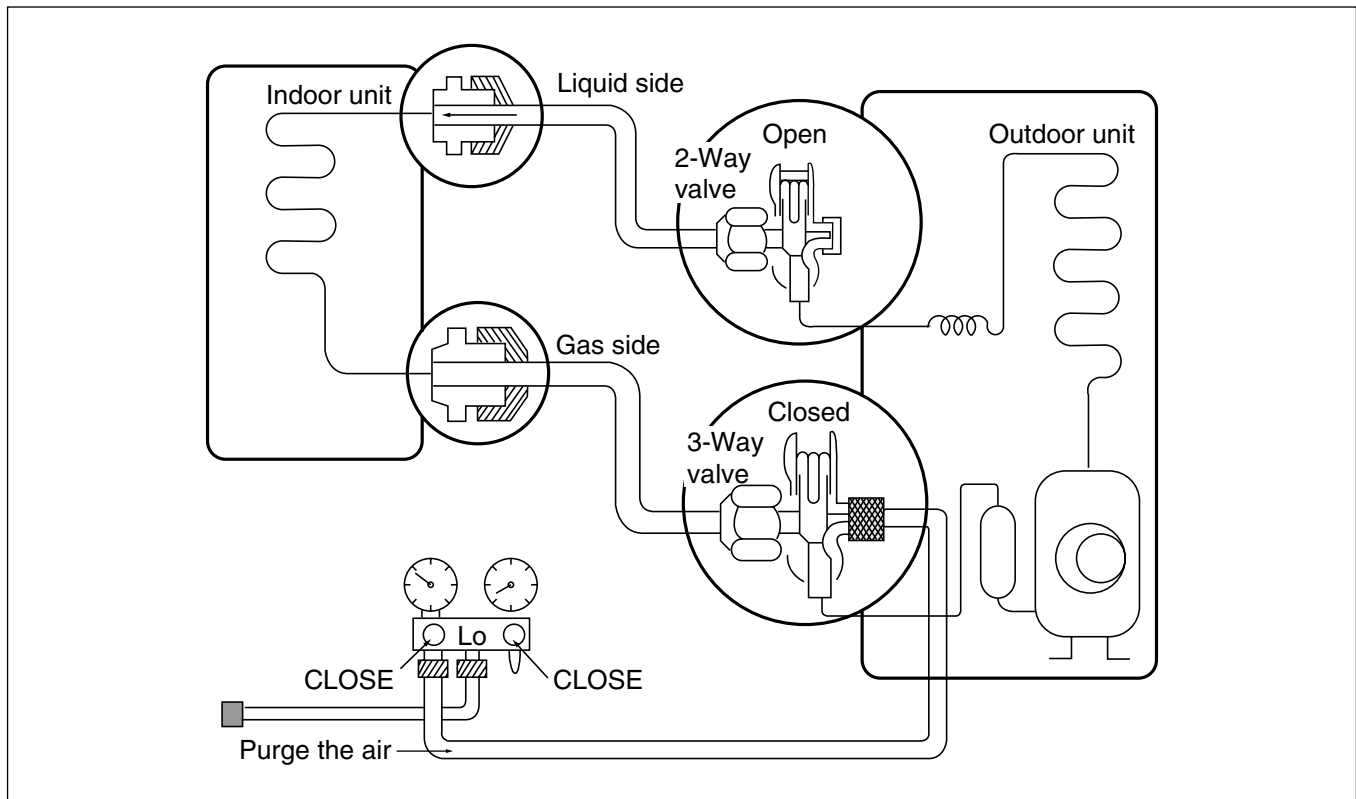
(2) Cooling & Heating Models



2-way, 3-way Valve

		2-way Valve (Liquid Side)	3-way Valve (Gas Side)	
Works		Shaft position	Shaft position	Service port
Shipping		Closed (with valve cap)	Closed (with valve cap)	Closed (with cap)
1.	Air purging (Installation)	Open (counter-clockwise)	Closed (clockwise)	Open (push-pin or with vacuum pump)
Operation		Open (with valve cap)	Open (with valve cap)	Closed (with cap)
2.	Pumping down (Transferring)	Closed (clockwise)	Open (counter-clockwise)	Open (connected manifold gauge)
3.	Evacuation (Servicing)	Open	Open	Open (with charging cylinder)
4.	Gas charging (Servicing)	Open	Open	Open (with charging cylinder)
5.	Pressure check (Servicing)	Open	Open	Open (with charging cylinder)
6.	Gas releasing (Servicing)	Open	Open	Open (with charging cylinder)

Pumping Down



• Procedure

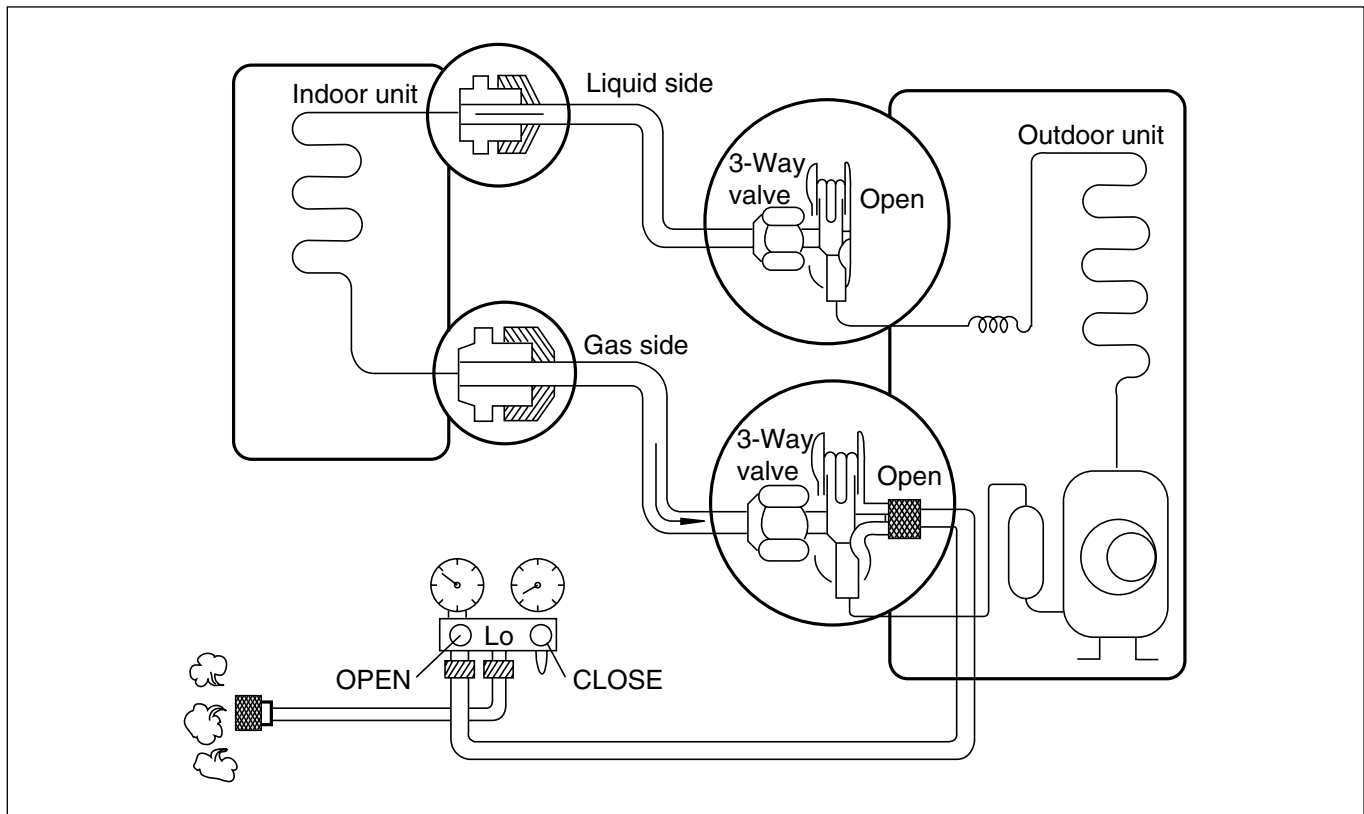
- (1) **Confirm that both the 2-way and 3-way valves are set to the open position.**
 - Remove the valve stem caps and confirm that the valve stems are in the raised position.
 - Be sure to use a hexagonal wrench to operate the valve stems.
- (2) **Operate the unit for 10 to 15 minutes.**
- (3) **Stop operation and wait for 3 minutes, then connect the charge set to the service port of the 3-way valve.**
 - Connect the charge hose with the push pin to the service port.
- (4) **Air purging of the charge hose.**
 - Open the low-pressure valve on the charge set slightly to air purge from the charge hose.
- (5) **Set the 2-way valve to the closed position.**
- (6) **Operate the air conditioner at the cooling cycle and stop it when the gauge indicates 1kg/cm²g.**
- (7) **Immediately set the 3-way valve to the closed position.**
 - Do this quickly so that the gauge ends up indicating 3 to 5kg/cm²g.
- (8) **Disconnect the charge set, and mount the 2-way and 3-way valve's stem nuts and the service port nut.**
 - Use torque wrench to tighten the service port nut to a torque of 1.8 kg.m.
 - Be sure to check for gas leakage.

▲ CAUTION

Do not use the existing charge set for R-22. It is necessary to use new charge set for R-410A. The pressure of R-410A is 1.6 times higher than that of R-22. Thus, the high pressure side gauge of charge set should be used higher pressure gauge of 50kg/cm² range.

Balance Refrigerant of the 3-way Valve

(Gas leakage)

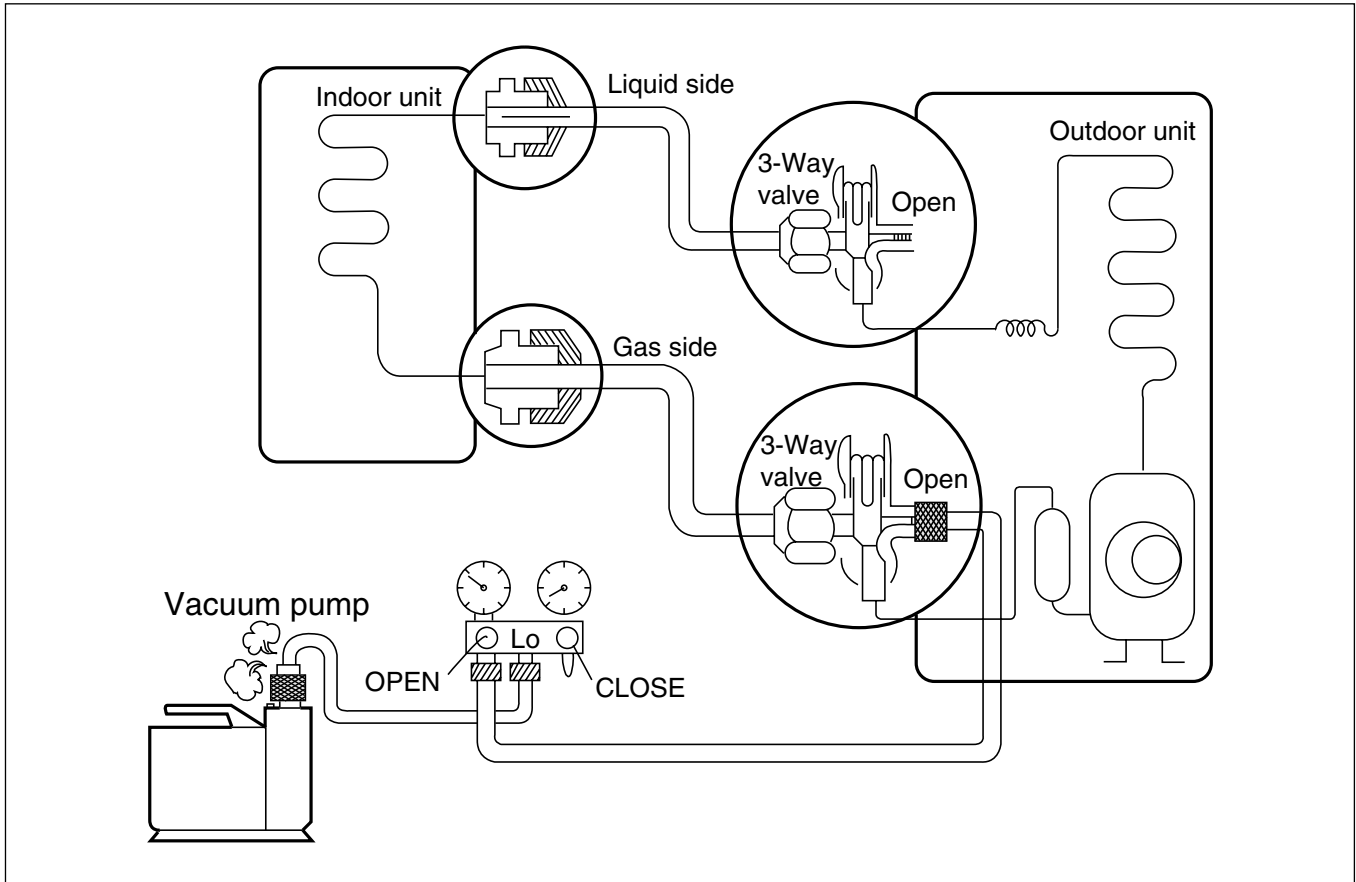


• Procedure

- (1) Confirm that both the 2-way and 3-way valves are set to the back seat.
- (2) Connect the charge set to the 3-way valve's port.
 - Leave the valve on the charge set closed.
 - Connect the charge hose to the service port.
- (3) Open the valve (Lo side) on the charge set and discharge the refrigerant until the gauge indicates 0 kg/cm²G.
 - If there is no air in the refrigerant cycle (the pressure when the air conditioner is not running is higher than 1 kg/cm²G), discharge the refrigerant until the gauge indicates 0.5 to 1 kg/cm²G. If this is the case, it will not be necessary to apply a vacuum.
 - Discharge the refrigerant gradually; if it is discharged too suddenly, the refrigeration oil will also be discharged.

Evacuation

(All amount of refrigerant leaked)



• Procedure

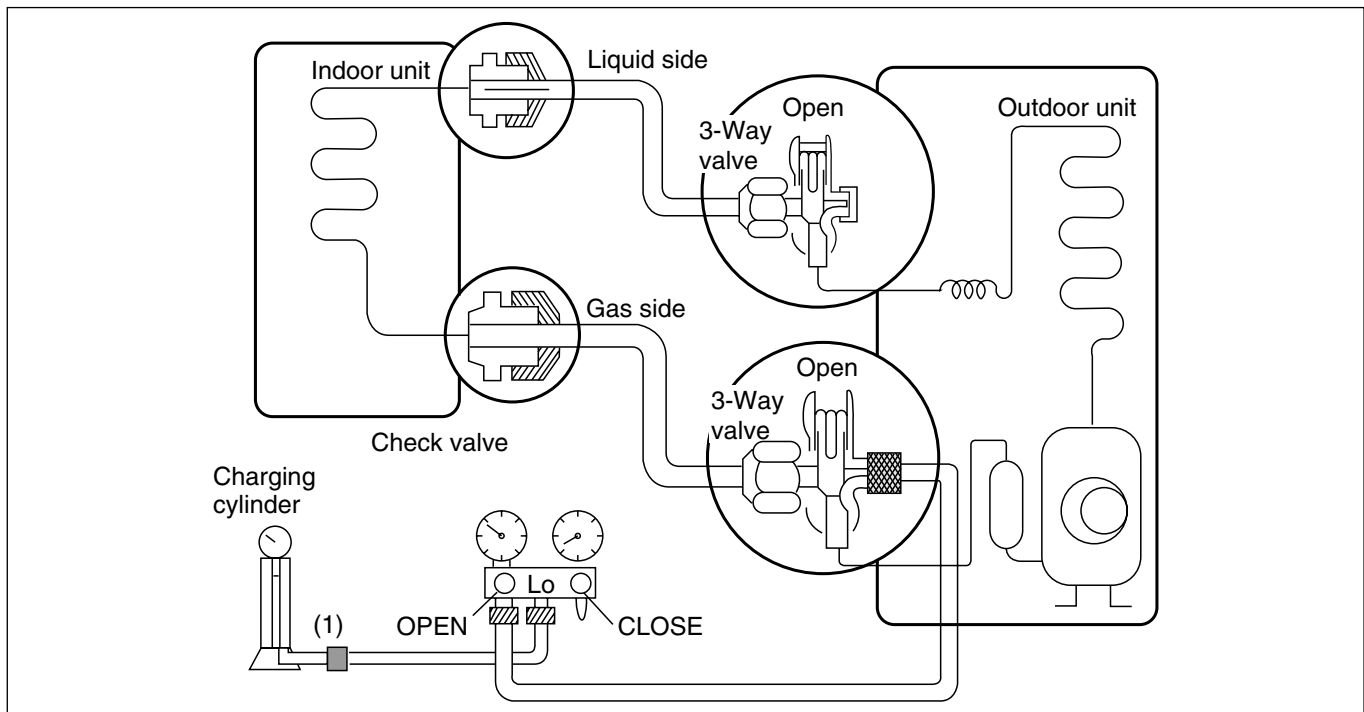
- (1) Connect the vacuum pump to the center hose of charge set center hose
- (2) Evacuation for approximately one hour.
 - Confirm that the gauge needle has moved toward -76 cmHg (vacuum of 4 mmHg or less).
- (3) Close the valve (Lo side) on the charge set, turn off the vacuum pump, and confirm that the gauge needle does not move (approximately 5 minutes after turning off the vacuum pump).
- (4) Disconnect the charge hose from the vacuum pump.
 - Vacuum pump oil.
 - If the vacuum pump oil becomes dirty or depleted, replenish as needed.

▲ CAUTION

Use vacuum pump equipped with check valve applied to be prevented from flowing backward.

Gas Charging

(After Evacuation)



• Procedure

(1) Connect the charge hose to the charging cylinder.

- Connect the charge hose which you disconnected from the vacuum pump to the valve at the bottom of the cylinder.
- If you are using a gas cylinder, also use a scale and reverse the cylinder so that the system can be charged with liquid.

(2) Purge the air from the charge hose.

- Open the valve at the bottom of the cylinder and press the check valve on the charge set to purge the air. (Be careful of the liquid refrigerant). The procedure is the same if using a gas cylinder.

(3) Open the valve (Lo side on the charge set and charge the system with liquid refrigerant.

- If the system can not be charged with the specified amount of refrigerant, it can be charged with a little at a time (approximately 150g each time) while operating the air conditioner in the cooling cycle; however, one time is not sufficient, wait approximately 1 minute and then repeat the procedure (pumping down-pin).

This is different from previous procedures. Because you are charging with liquid refrigerant from the gas side, absolutely do not attempt to charge with larger amounts of liquid refrigerant while operating the air conditioner.

(4) Immediately disconnect the charge hose from the 3-way valve's service port.

- Stopping partway will allow the gas to be discharged.
- If the system has been charged with liquid refrigerant while operating the air conditioner turn off the air conditioner before disconnecting the hose.

(5) Mount the valve stem nuts and the service port nut.

- Use torque wrench to tighten the service port nut to a torque of 1.8 kg.m.
- Be sure to check for gas leakage.

▲ CAUTION

This unit is charged with R-410A. Pay attention not to charge R-22.

Additional gas charging

(Gas leakage)

- When refrigerant is insufficient by leakage, recharge the unit with the refrigerant up to normal operating suction pressure.
- Use the graph or the equation below to get operating suction pressure according to indoor and outdoor temperature.

Suction pressure was measured at 3-way valve service port after operating the unit for 10 minutes.

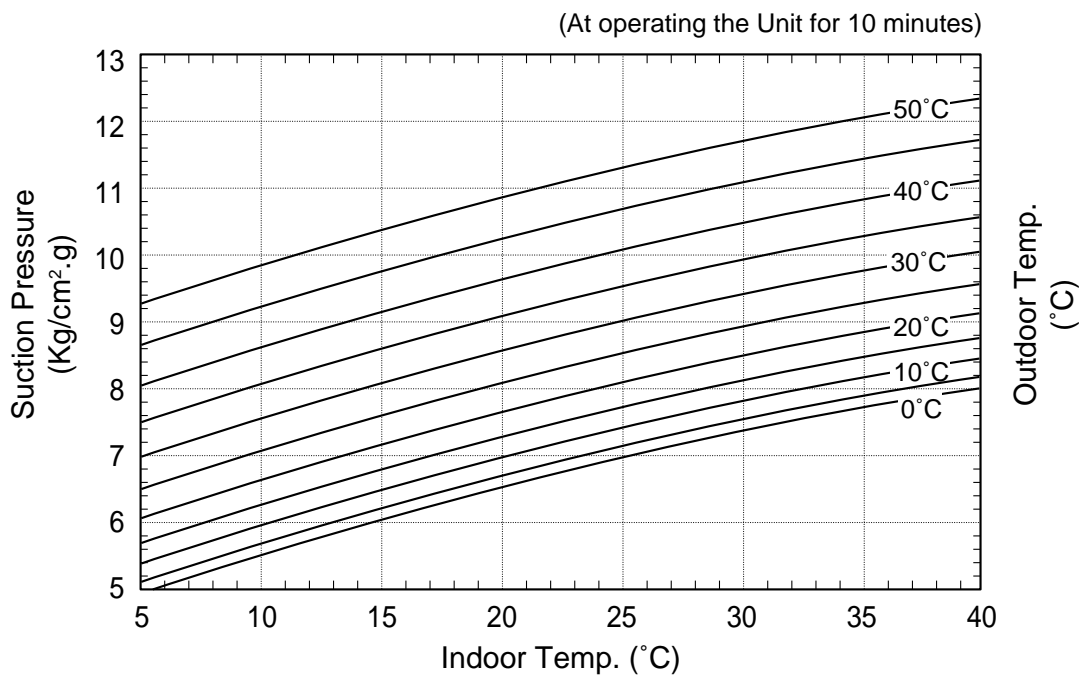
The method of using graph

- Find outdoor temperature.
- Find indoor temperature onto the curve of outdoor temperature.
- Read suction pressure at the axis of ordinates.

The method of using equation

- Calculate suction pressure after putting indoor and outdoor temperature into the equation.

Operating Suction Pressure (For R401A) (According to Indoor & Outdoor Temperature)



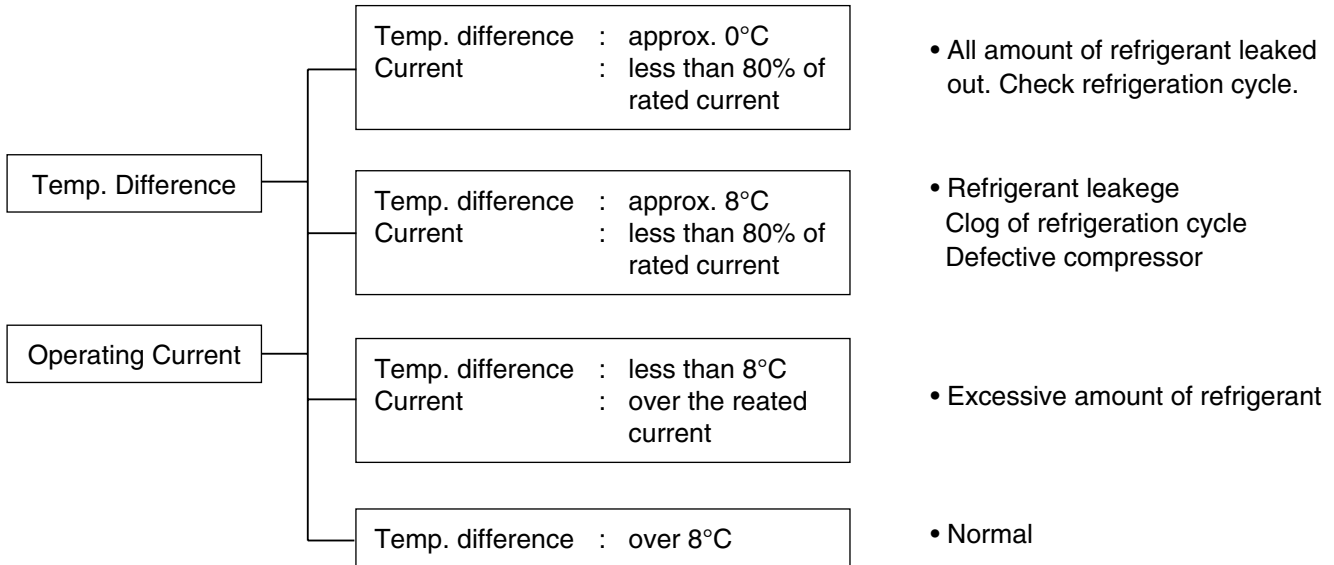
$$P = 3 + 0.0123 \times T_{out}^{1.5} + 0.8 \times T_{in}^{0.5}$$

Where, P : Suction Pressure(kg/cm².g)
 Tout : Outdoor Temperature(°C)
 Tin : Indoor Temperature(°C)

Cycle Parts

Trouble analysis

1. Check temperature difference between intake and discharge air and operating current.



NOTICE

Temperature difference between intake and discharge air depends on room air humidity. When the room air humidity is relatively higher, temperature difference is smaller. When the room air humidity is relatively lower temperature difference is larger.

2. Check temperature and pressure of refrigeration cycle.

Suction pressure (Compared with the normal value)	Temperature (Compared with the normal valve)	Cause of Trouble	Description
Higher	High	Defective compressor Defective 4-way reverse valve	Current is low.
	Normal	Excessive amount of refrigerant	High pressure does not quickly rise at the beginning of operation.
Lower	Higher	Insufficient amount of refrigerant (Leakage)	Current is low.
		Clogging	Current is low.

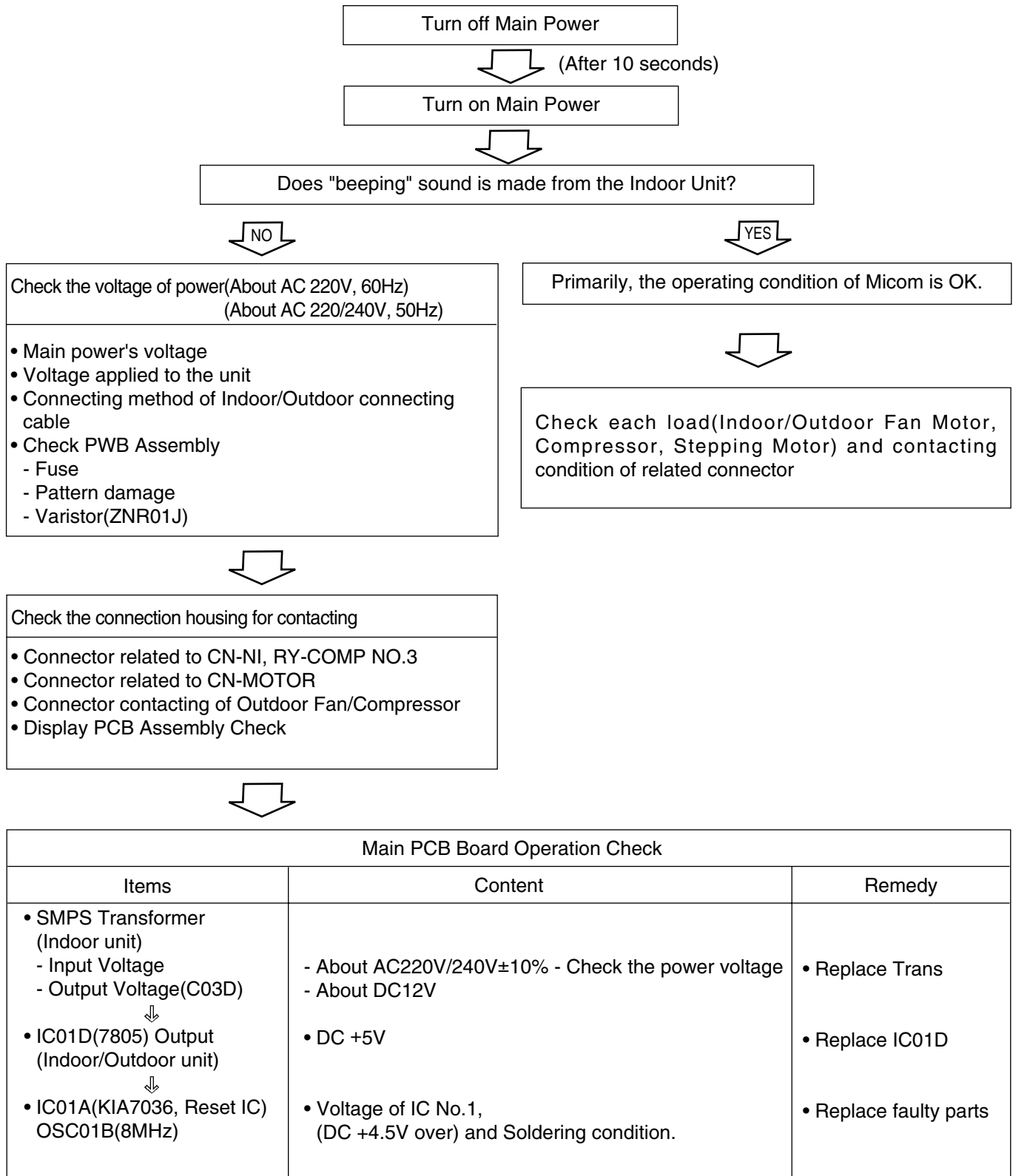
NOTICE

1. The suction pressure is usually 8.5~9.5 kg/cm²G(Cooling) at normal condition.
2. The temperature can be measured by attaching the thermometer to the low pressure tubing and wrap it with putty.

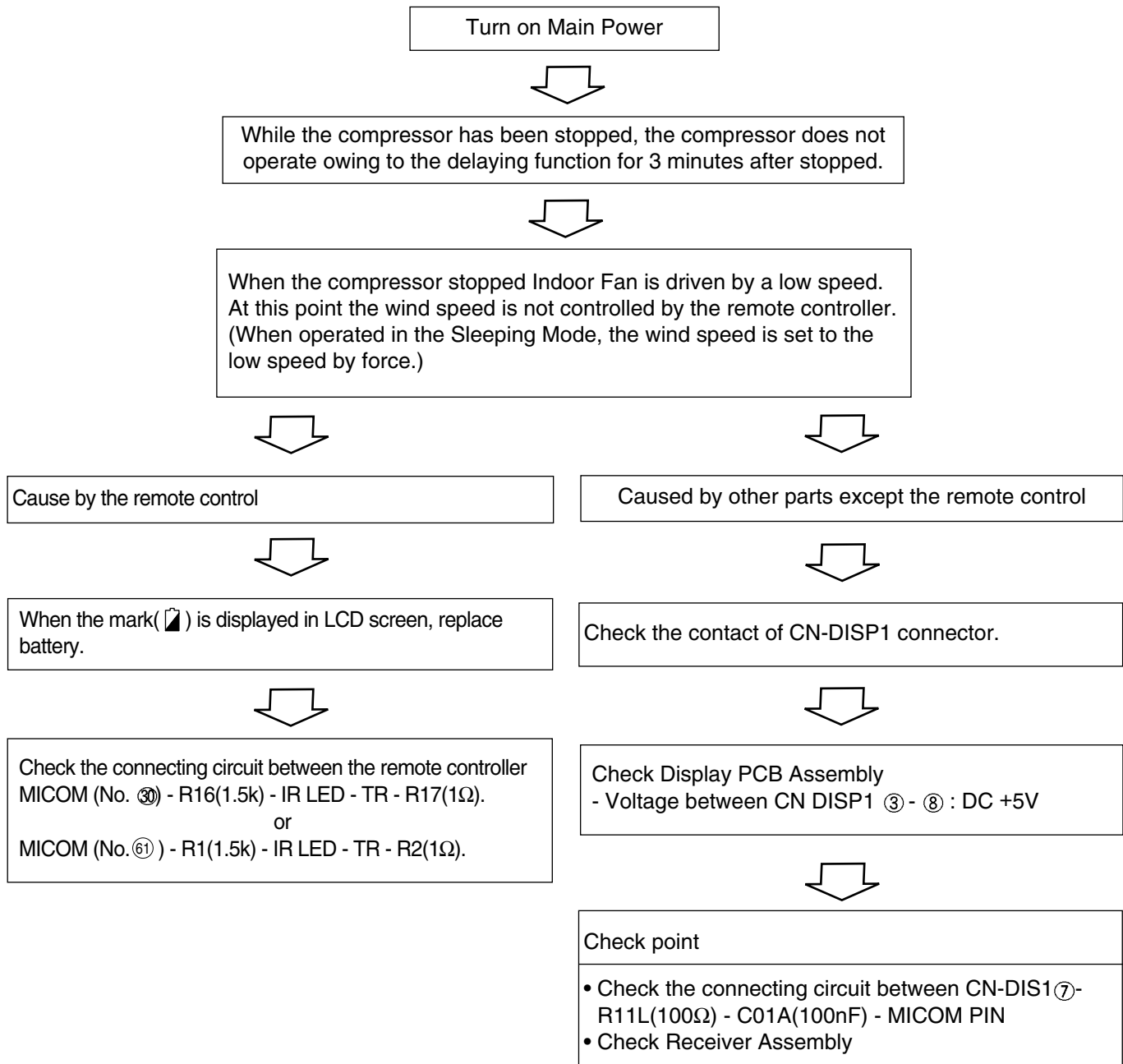
Electronic Parts

Product does not operate at all.

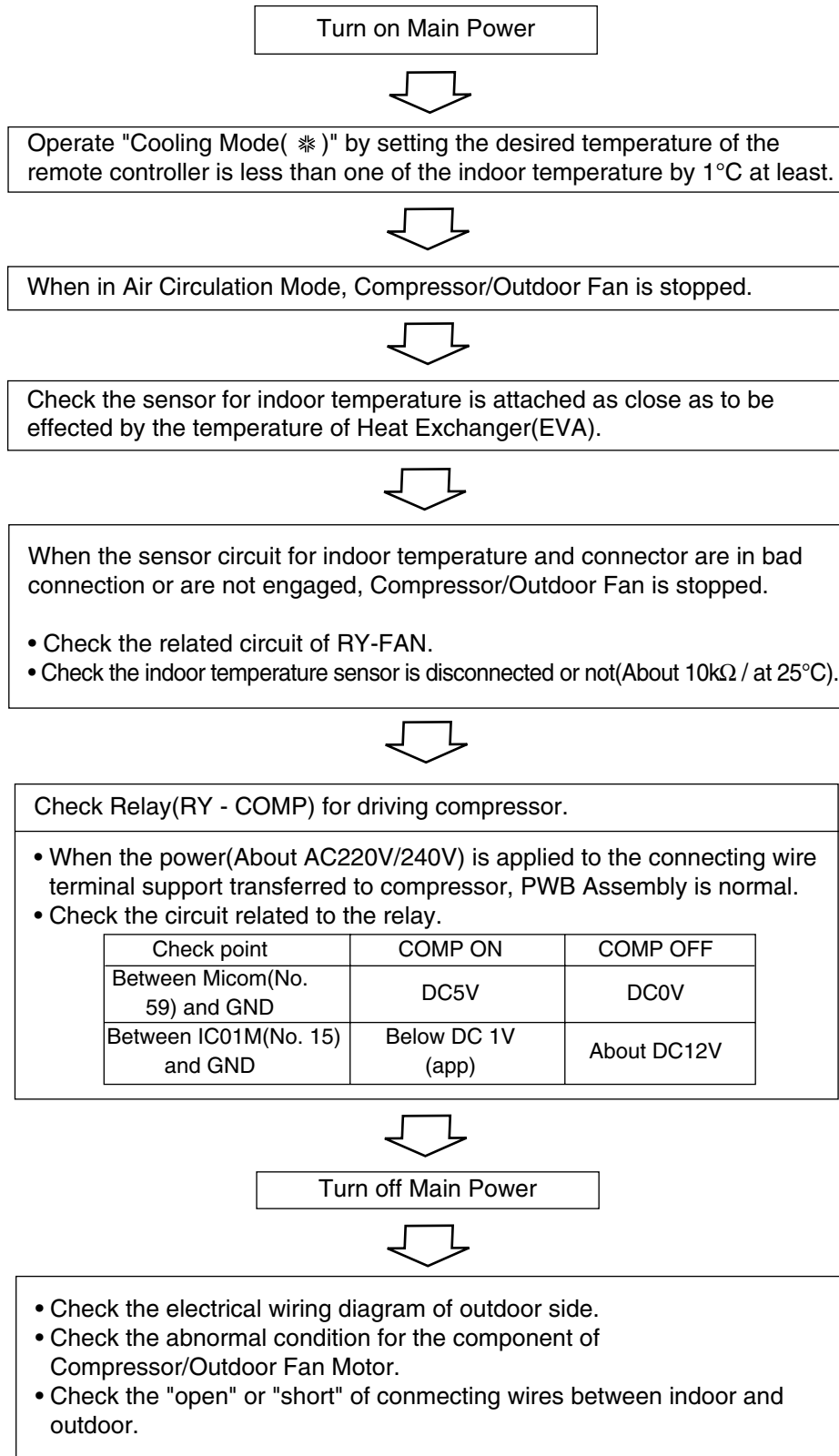
(* Refer to Electronic Control Device drawing and Schematic diagram.)



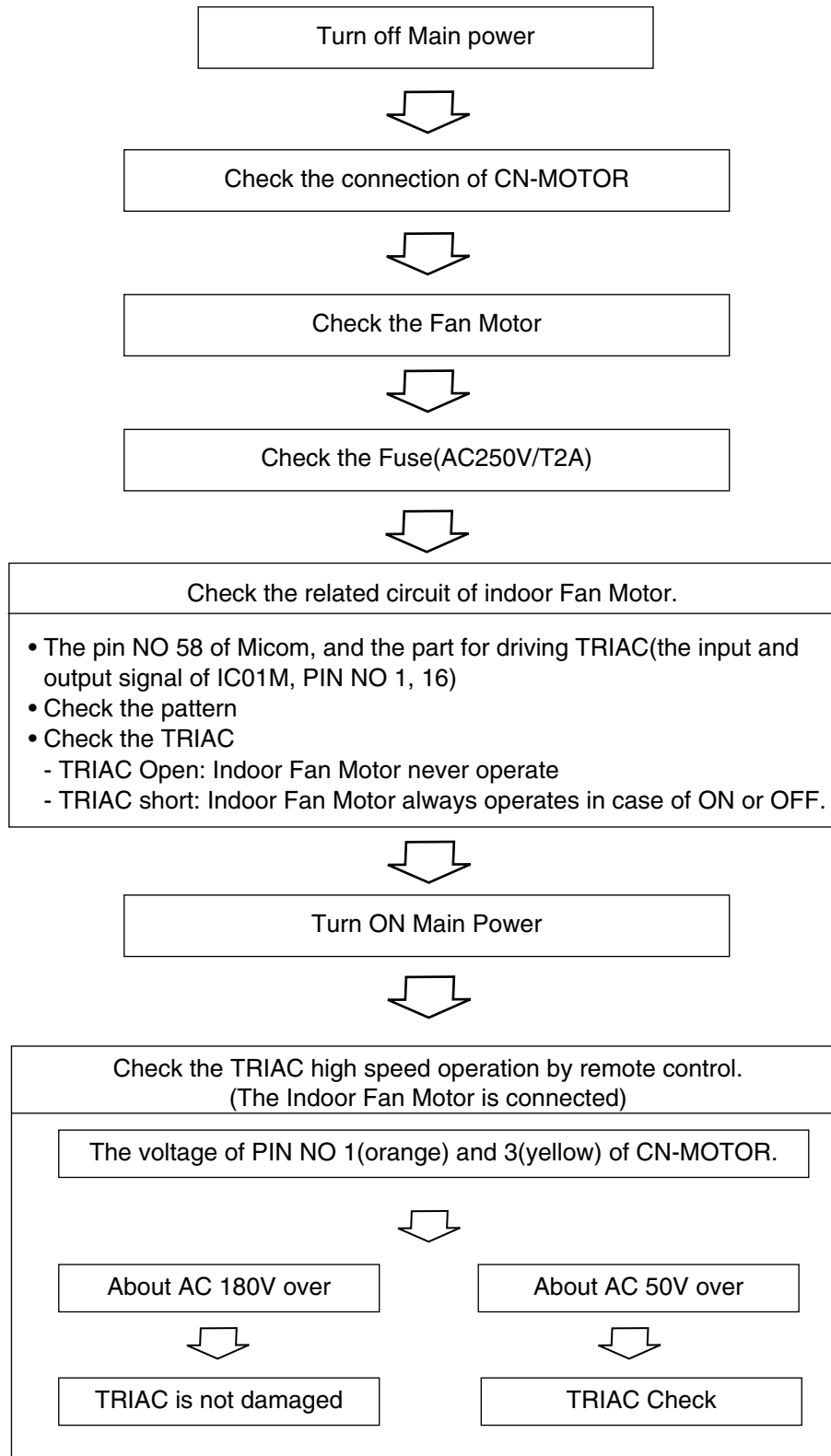
The product is not operate with the remote controller.



Compressor/Outdoor Fan are unable to drive.



When indoor Fan does not operate.



When Vertical Louver does not operate.

- Confirm that the Vertical Louver is normally geared with the shaft of Stepping Motor.
- If the regular torque is detected when rotating the Vertical Louver with hands ⇒ Normal



- Check the connecting condition of CN-U/D Connector
- Check the soldering condition(on PWB) of CN-U/D Connector



Check the operating circuit of the Vertical Louver

- Confirm that there is DC +12V between pin⑤(RE D) of CN-U/D and GND.
- Confirm that there is a soldering short at following terminals.
 - Between ⑥①, ⑥② and ⑥③ of MICOM
 - Between ③, ④, ⑤ and ⑥ of IC01M
 - Between ⑭, ⑬, ⑫ and ⑪ of IC01M



If there are no problems after above checks

- Confirm the assembly conditions that are catching and interfering parts in the rotation radial of the Vertical Louver

When Heating does not operate

Turn ON Main Power



Operate "Heating Mode(☀)" by setting the desired temperature of the remote control is higher than one of the indoor temperature by 2°C at least.



In heating Mode, the indoor fan operates in case the pipe temperature is higher than 28°C.



Check the connector of intake and pipe sensor(thermistors)

- Check the related circuit of RY-4WAY
- Check the indoor room temperature is disconnected or not (about 10KΩ/at 25°C).
- Check the indoor pipe temperature is disconnected or not (about 5KΩ/at 25°C).



Check the DC voltage on the PWB ASSEMBLY

- The details of check are as followings

- Comp Relay.

Check point	Comp ON	Comp OFF
Between Micom (NO.59) and GND	DC 5V	DC 0V
Between IC01M (NO.15) and GND	Below DC 1V	About DC 12V

- Outdoor fan Relay

Check point	Fan ON	Fan OFF
Between Micom (NO.53) and GND	DC 5V	DC 0V
Between IC02M (NO.12) and GND	Below DC 1V	About DC 12V

- 4 way Relay

Check point	4 way ON	4 way OFF
Between Micom (NO.51) and GND	DC 5V	DC 0V
Between IC02M (NO.11) and GND	Below DC 1V	About DC 12V



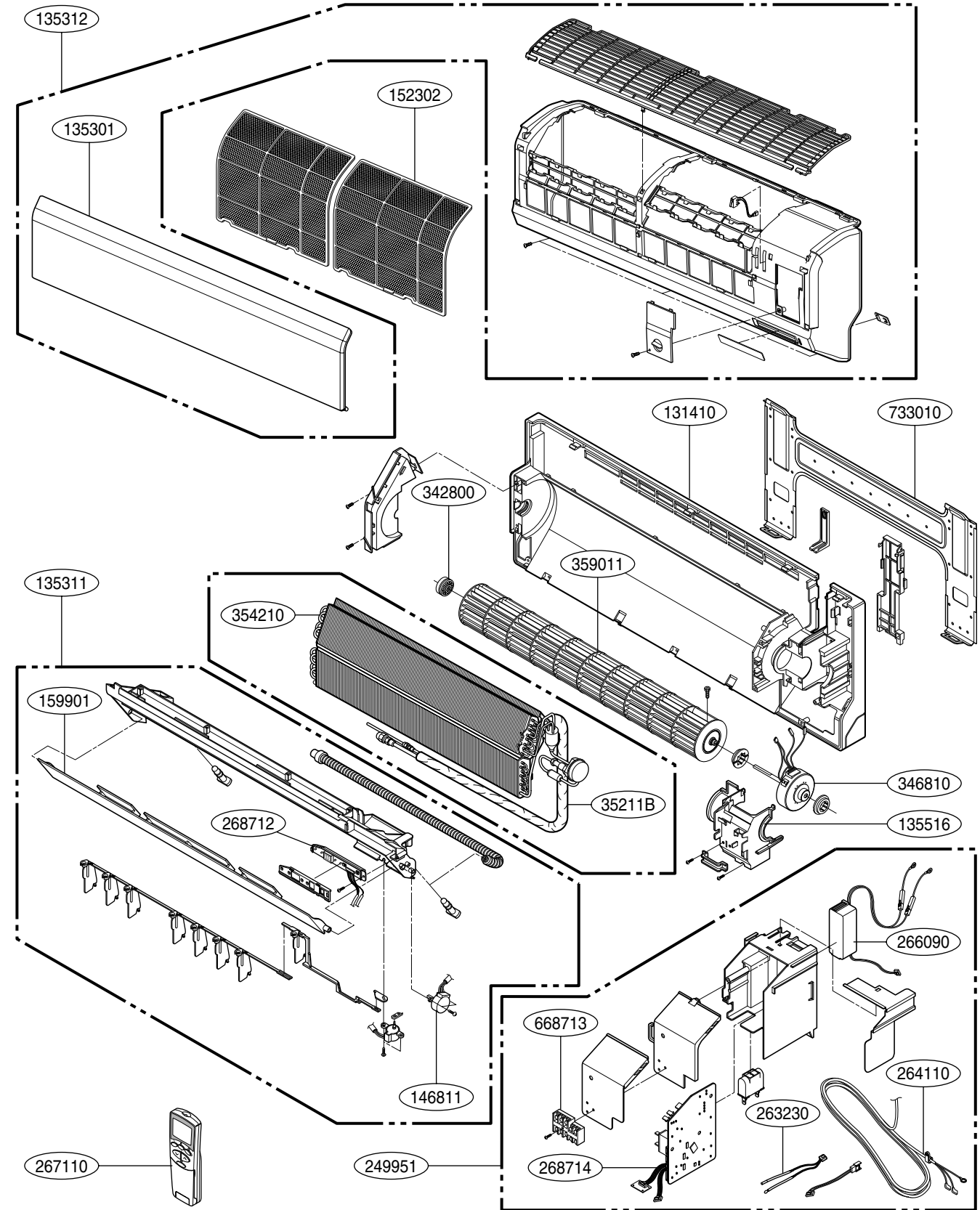
Turn off Main Power



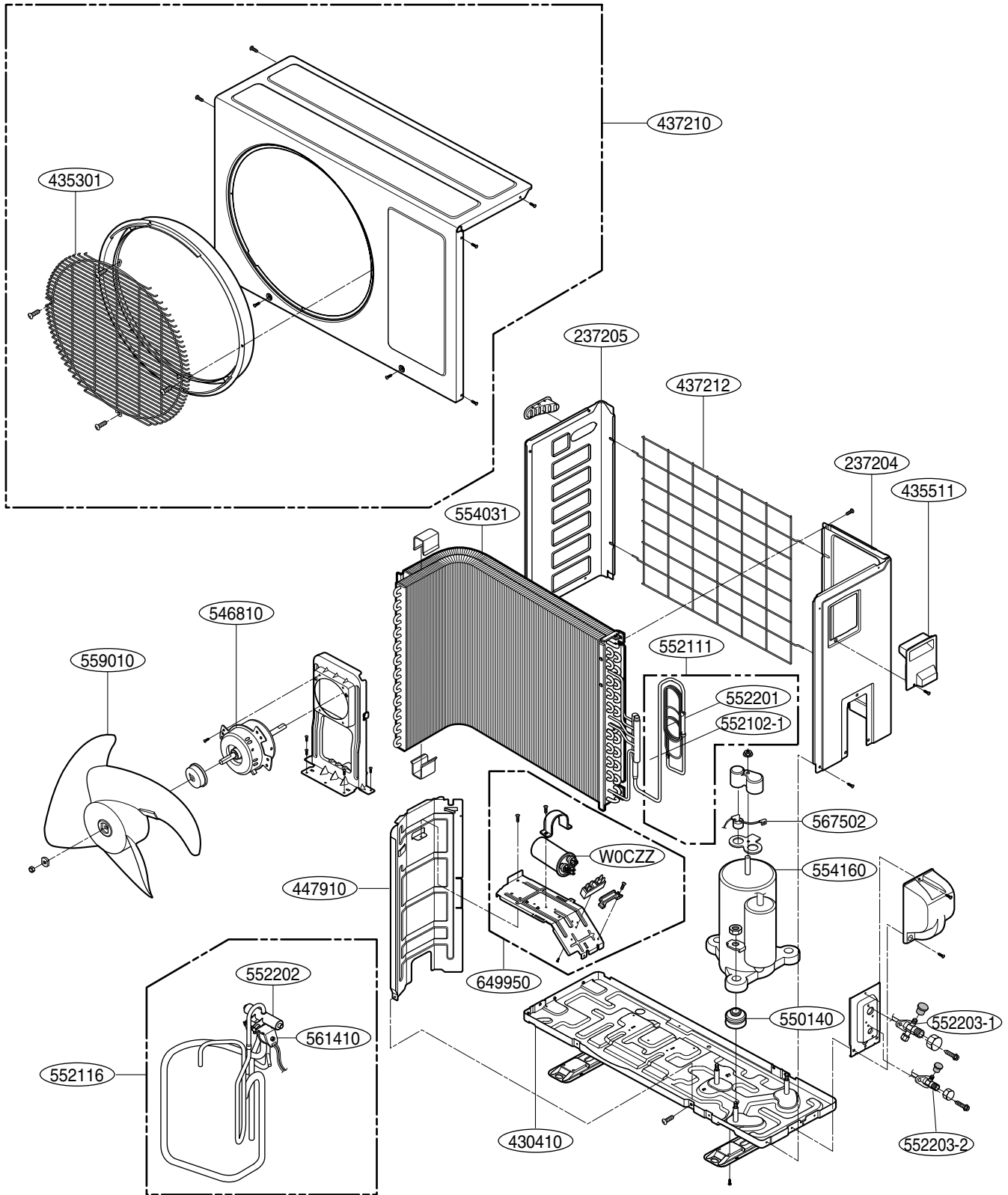
- Check the electrical wiring diagram of outdoor side.
- Check the abnormal condition for the component of Compressor/Outdoor Fan Motor, 4 way.
- Check the "open" or "short" of connecting wires between indoor and outdoor.

Exploded View

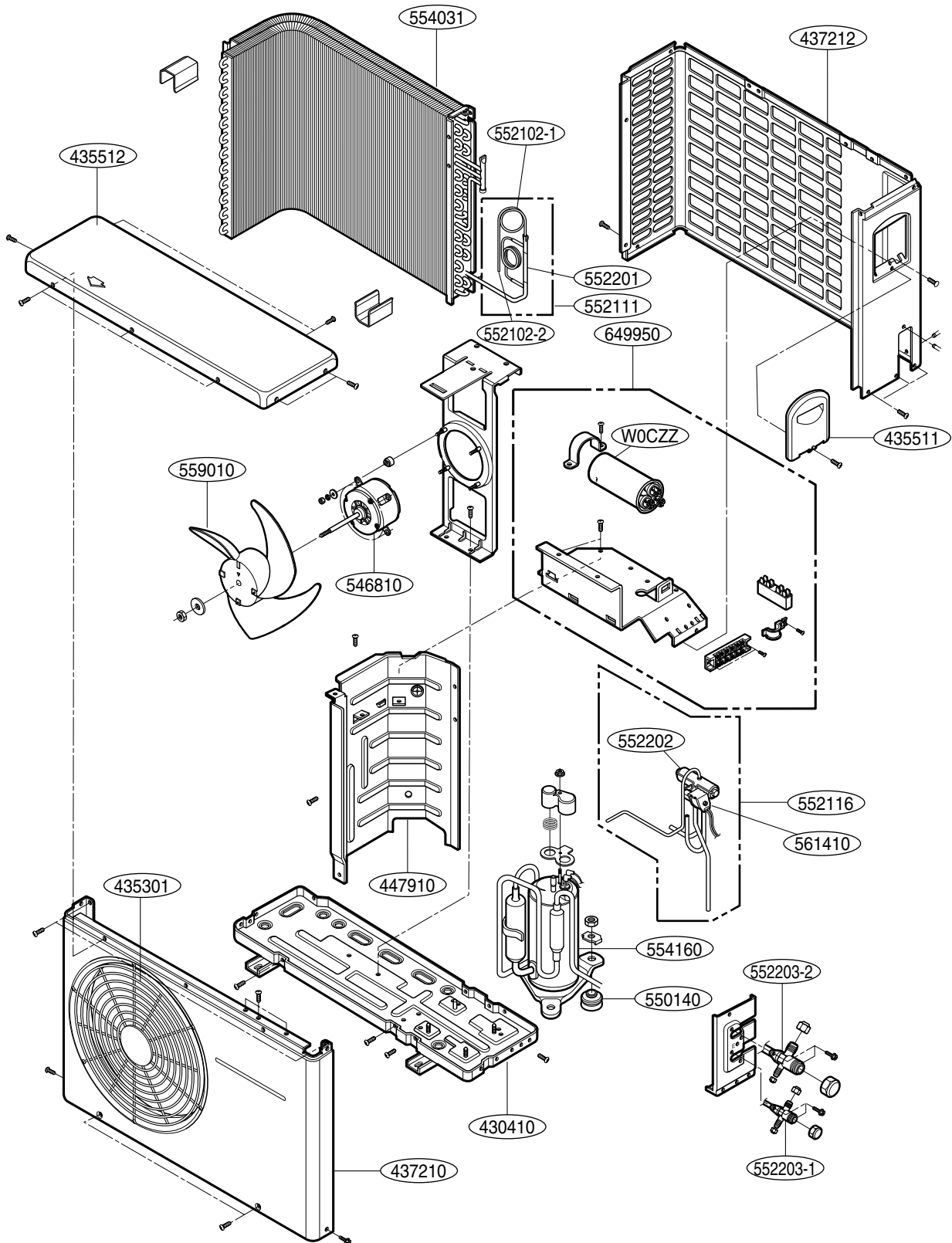
Indoor Unit



Outdoor Unit: 9k Heat Pump, 12k Series



Outdoor Unit: 9k Cool Only Series



Replacement Parts list

Parts List (Indoor)

LOCATION No.	DESCRIPTION	PART No.				REMARK
		TS-C096EMA0	TS-C126EMA0	TS-C096YDA0	TS-C126TDA0	
430410	BASE ASSEMBLY ,OUT	3041A20013H	3041A20092B	3041A20013H	3041A20092B	R
435301	GRILLE DISCHARGE	3530A10059B	3530A20093E	3530A10059B	3530A20093E	R
435511	COVER ASSEMBLY ,CONTROL	2H02384C	2H02384C	2H02384C	2H02384C	R
437210	PANEL ASSEMBLY,FRONT	3721A20050E	3721A10099K	3721A20050E	3721A10099K	R
437212	Panel Assembly,Rear	3721A20054F	3720A10016S	3721A20054F	3720A10016S	R
435512	COVER	3550A20046B	--	3550A20046B	--	R
447910	BARRIER ASSEMBLY,OUTDOOR	4790A10025D	4790A10007B	4790A10025D	4790A10007B	R
546810	MOTOR ASSEMBLY,OUTDOOR	4681A10020M	4681A10020A	4681A10020M	4681A10020J	R
550140	ISOLATOR,COMP	4984AR4361A	4984AR4390A	4984AR4361A	4984AR4390A	R
552102	TUBE CAPILLARY	5210A21761V	5424AR3531E	5210A31413A	3H01535Y	R
552203-1	VALVE,SERVICE	5220AR2609D	5220AR2609F	5220AR2609F	5220AR2609F	R
552203-2	VALVE,SERVICE	5220AR2578C	5220A20003E	5220AR2578F	5220A20003E	R
554031	CONDENSER ASSEMBLY,BEND	5403A20106E	5403A20113G	5403A20106E	5403A20113Q	R
554160	COMPRESSOR,SET	2520UCAK044	2520UCAJ020	2520UCAK044	TBZ31018301	R
559010	FAN ASSEMBLY,PROPELLER	5900AR1266D	5901A10057A	5900AR1266D	5901A10057A	R
567502	O.L.P	6750U-L002A	6750U-L016A	6750U-L002A	--	R
W0CZZ	CAPACITOR,DRAWING	2A00986Q	2H01451P	2A00986Q	2H01451S	R

NOTE) *Please ensure GCSC since these parts may be changed depending upon the buyer's request.
(GCSC WEBSITE <http://biz.LGservice.com>)

Parts List (Indoor)

LOCATION No.	DESCRIPTION	PART No.				Remark
		TS-H096EMA0	TS-H126EMA0	TS-H096YDA0	TS-H126TDA0	
131410	CHASSIS ASSEMBLY	3141A20035B	3141A20035B	3141A20019G	3141A20035C	R
135311	GRILLE ASSEMBLY,DISCHARGE	3531A10367D	3531A10367D	AEB30975809	AEB31754004	R
135312	GRILLE ASSEMBLY,FRONT	3531A11023V	3531A11023V	AEB30975913	AEB30934408	R
135516	COVER ASSEMBLY, MOTOR	3551A30166A	3551A30166A	3551A30166A	3551A30166A	R
146811	MOTOR ASSEMBLY ,STEP	4681A20117A	4681A20117A	4681A20117A	4681A20117A	R
152302	FILTER(MECH.),A/C	5230A20064A	5230A20064A	MDJ32395201	MDJ34608301	R
263230	THERMISTOR,ASSEMBLY	6323A20043A	6323A20043A	6323A24001A	6323A20004A	R
264110	POWER CORD ASSEMBLY	6411A30001R	6411A30001R	6411A30001R	6411A30001R	R
267110	REMOTE CONTROLLER ASSEMBLY	6711A20091M	6711A20091M	6711A20111D	6711A20111D	R
268712	PWB(PCB) ASSEMBLY,DISPLAY	6871A20996A	6871A20996A	6871A30044D	6871A30044D	R
268714	PWB(PCB) ASSEMBLY,MAIN	6871A20925A	6871A20925A	EBR32724404	EBR32724407	R
268714	PWB(PCB) ASSEMBLY,MAIN	6871A20995C	6871A20994A	-	-	R
268714	PWB(PCB) ASSEMBLY,MAIN	6871A20994A	6871A20993A	-	-	R
268714	PWB(PCB) ASSEMBLY,MAIN	6871A20993A	-	-	-	R
342800	BEARING	4280A20004A	4280A20004A	4280A20004A	4280A20004A	R
346810	MOTOR ASSEMBY,INDOOR	4681A10023P	4681A10023P	4681A10023P	4681A10023S	R
35211B	TUBE ASSEMBLY,TUBING	5211A21144T	5211A21144U	5211A21144H	5211A21144U	R
354210	EVAPORATOR ASSEMBLY,FIRST	5421A20262C	5421A20263B	ADL31252801	5421A20263E	R
354210	EVAPORATOR ASSEMBLY,FIRST	5421A20263B	5421A20262C	ADL31252601	5421A20262C	R
359011	FAN ASSEMBLY,CROSS FLOW	5901A20017H	5901A20017H	5901A20017A	5901A20017H	R
733010	PLATE ASSEMBLY,INSTALL	3301A20020G	3301A20020G	3301A20020J	3301A20020G	R
W0CZZ	CAPACITOR,DRAWING	3H01487A	3H01487A	3H01487A	3H01487A	R

NOTE) *Please ensure GCSC since these parts may be changed depending upon the buyer's request.
(GCSC WEBSITE <http://biz.LGservice.com>)

Parts List (Outdoor)

LOCATION No.	DESCRIPTION	PART No.				REMARK
		TS-C096EMA0	TS-C126EMA0	TS-C096YDA0	TS-C126TDA0	
430410	BASE ASSEMBLY ,OUT	3041A20013H	3041A20092B	3041A20013H	3041A20092B	R
435301	GRILLE DISCHARGE	3530A10059B	3530A20093E	3530A10059B	3530A20093E	R
435511	COVER ASSEMBLY ,CONTROL	2H02384C	2H02384C	2H02384C	2H02384C	R
437210	PANEL ASSEMBLY ,FRONT	3721A20050E	3721A10099K	3721A20050E	3721A10099K	R
437212	Panel Assembly ,Rear	3721A20054F	3720A10016S	3721A20054F	3720A10016S	R
447910	BARRIER ASSEMBLY ,OUTDOOR	4790A10025D	4790A10007B	4790A10025D	4790A10007B	R
546810	MOTOR ASSEMBLY,OUTDOOR	4681A10020M	4681A10020A	4681A10020M	4681A10020J	R
550140	ISOLATOR,COMP	4984AR4361A	4984AR4390A	4984AR4361A	4984AR4390A	R
552102	TUBE CAPILLARY	5210A21761V	5424AR3531E	5210A31413A	3H01535Y	R
552203-1	VALVE,SERVICE	5220AR2609D	5220AR2609F	5220AR2609F	5220AR2609F	R
552203-2	VALVE,SERVICE	5220AR2578C	5220A20003E	5220AR2578F	5220A20003E	R
554031	CONDENSER ASSEMBLY,BEND	5403A20106E	5403A20113G	5403A20106E	5403A20113Q	R
554160	COMPRESSOR,SET	2520UCAK044	2520UCAJ020	2520UCAK044	TBZ31018301	R
559010	FAN ASSEMBLY,PROPELLER	5900AR1266D	5901A10057A	5900AR1266D	5901A10057A	R
567502	O.L.P	6750U-L002A	6750U-L016A	6750U-L002A	--	R
W0CZZ	CAPACITOR,DRAWING	2A00986Q	2H01451P	2A00986Q	2H01451S	R

NOTE) *Please ensure GCSC since these parts may be changed depending upon the buyer's request.
(GCSC WEBSITE <http://biz.LGservice.com>)

Parts List (Outdoor)

LOCATION No.	DESCRIPTION	PART No.				REMARK
		TS-H096EMA0	TS-H126EMA0	TS-H096YDA0	TS-H126TDA0	
430410	BASE ASSEMBLY ,OUT	3041A20092B	3041A20092B	3041A20092B	3041A20092B	R
435301	GRILLE DISCHARGE	3530A20093E	3530A20093E	3530A20093E	3530A20093E	R
435511	COVER ASSEMBLY ,CONTROL	2H02384C	2H02384C	2H02384C	2H02384C	R
437210	PANEL ASSEMBLY,FRONT	3721A10099K	3721A10099K	3721A10099K	3721A10099K	R
437212	GRILLE REAR	3720A10016S	3720A10016S	3720A10016S	3720A10016S	R
447910	BARRIER ASSEMBLY,OUTDOOR	4790A10007B	4790A10007B	4790A10007B	4790A10007B	R
546810	MOTOR ASSEMBLY,OUTDOOR	4681A10020A	4681A10020J	4681A10020A	4681A10020J	R
550140	ISOLATOR,COMP	4984AR4390A	4984AR4390A	4984AR4390A	4984AR4390A	R
552102-1	TUBE CAPILLARY	5210A21761X	5210A31782B	3H01535W	5210A31413E	R
552102-2	TUBE CAPILLARY	5210A26883A	5424AR3531E	3H03750G	5424AR3531E	R
552201	VALVE,CHECK	5220A30001A	5220A30001A	5220A23002D	5220A23002C	R
552202	VALE,REVERSING	5220AR3084C	5220AR3084C	5220AR3084C	5220AR3084C	R
552203-1	VALVE,SERVICE	5220AR2609F	5220AR2609F	5220AR2609F	5220AR2609F	R
552203-2	VALVE,SERVICE	5220AR2578F	5220A20003E	5220AR2578F	5220A20003E	R
554031	CONDENSER ASSEMBLY,BEND	5403A20188B	5403A20113P	5403A20188B	5403A20101N	R
554160	COMPRESSOR,SET	2520UCAK052	2520UCAJ047	TBZ30817001	TBZ31126301	R
559010	FAN ASSEMBLY,PROPELLER	5901A10057A	5901A10057A	5901A10057A	5901A10057A	R
567502	O.L.P	6750U-L002A	6750U-L027A	6750U5L005B	--	R
W0CZZ	CAPACITOR,DRAWING	2A00986Q	2H01451S	2H01451P	2H01451S	R

NOTE) *Please ensure GCSC since these parts may be changed depending upon the buyer's request.
(GCSC WEBSITE <http://biz.LGservice.com>)

