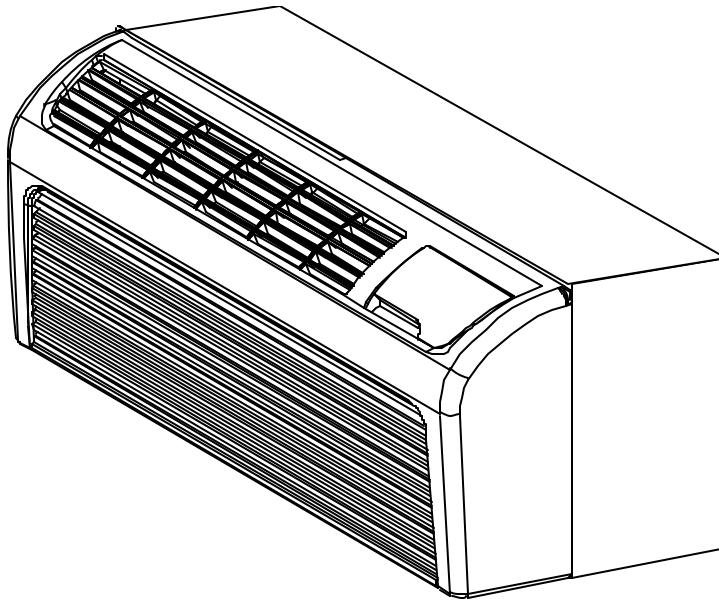


Service Parts

PTC*A* Ultra EER Series Package Terminal Air Conditioner

This manual replaces RP4210032 rev. 1.

This manual is to be used by qualified appliance technicians only.



Models and manufacturing
numbers in this manual

PTC073B00AJ	P1259912R
PTC073B15AJ	P1259916R
PTC073B25AJ	P1259909R
PTC073B35AF	P1248853R
PTC073B35AJ	P1259901R
PTC074B35AF	P1248854R
PTC093B00AJ	P1259913R
PTC093B25AJ	P1259910R
PTC093B35AJ	P1259902R
PTC093B50AJ	P1259917R
PTC123B00AJ	P1259914R
PTC123B25AJ	P1259920R
PTC123B35AJ	P1259903R
PTC123B50AJ	P1259921R
PTC153B00AJ	P1259915R
PTC153B25AJ	P1259924R
PTC153B35AJ	P1259907R
PTC153B50AJ	P1259925R



Amana is a trademark of Maytag Corporation and used under
license to Goodman Company, L.P. All rights reserved.

RP4210032
Revision 2
November 2004

Copyright © 2004 Goodman Company, L.P.

Important Information

Goodman Company, L.P. is not responsible for personal injury or property damage resulting from improper service. Review all service information before beginning repairs.

Warranty service must be performed by an authorized technician, using authorized factory parts. If service is required after the warranty expires, Goodman Company, L.P. also recommends contacting an authorized technician and using authorized factory parts.

For assistance within the U.S.A. contact:

Consumer Affairs Department
Goodman Company, L.P.
7401 Security Way
Houston, Texas 77040
877-254-4729-Telephone
713-863-2382-Facsimile

For assistance outside the U.S.A. contact:

International Division
Goodman Company, L.P.
7401 Security Way
Houston, Texas 77040
713-861-2500-Telephone
713-863-2382-Facsimile

Index

Functional Parts List	4 - 5
Illustration and Parts	6 - 19

Views shown are for parts illustrations only, not servicing procedures.

Revision 2: Adds models with new LCD power cord; MFG # P1259901R, P1259902R, P1259903R, P1259907R, P1259909R, P1259910R, P1259912R, P1259913R, P1259914R, P1259915R, P1259916R, P1259917R, P1259920R, P1259921R, P1259924R, P1259925R.

Text Codes:

AR - As Required

NA - Not Available

NS - Not Shown

00000000 - See Note

QTY - Quantity Example (QTY 3) (If Quantity not shown, Quantity = 1)

M - Model Example (M1) (If M Code not shown, then part is used on all Models)

Expanded Model Nomenclature:

Example	
M1 - Model#1	P _____
M2 - Model#2	P _____
M3 - Model#3	P _____

Functional Parts

Part

No: Description:

20403508	BASEPAN
D6789051	CAPACITOR (M5, M11, M15, M16)
D6789049	CAPACITOR-POLY (M6, M12, M17, M18)
D6789054	CAPACITOR-ROUND (M1)
D6789063	CAPACITOR-ROUND (M2)
D6789054	CAPACITOR-ROUND (M3, M4, M7, M8, M9, M10, M13, M14)
D6926123	COMPRESSOR 2K21T236 (M6, M12, M17, M18)
D6985807	COMPRESSOR 2P17S3R236A (M5, M11, M15, M16)
D6887711	COMPRESSOR 2R13S3R236A (M4, M8, M10, M14)
D6887715	COMPRESSOR 2R9U236A6A (M1, M3, M7, M9, M13)
D6887716	COMPRESSOR 2R9U276A6A (M2)
20456602BND	CONDENSOR ASSY (M5, M6, M7, M8, M11, M12, M13, M14, M15, M16, M17, M18)
20456603BND	CONDENSOR ASSY (M1, M2, M4, M10)
20466202BND	CONDENSOR ASSY (M3, M9)
20284915	DRIER FILTER (M1, M2, M3, M7, M9, M13)
20284917	DRIER FILTER (M5, M11, M15, M16)
20284916	DRIER FILTER (M4, M8, M10, M14)
20284918	DRIER FILTER (M6, M12, M17, M18)
20456702	EVAPORATOR ASSY
20457202	EVAPORATOR ASSY (M1, M2, M4, M8, M10, M14)
20473902	EVAPORATOR ASSY (M3, M7, M9, M13)
20414601	FAN-PL. COND.
A3410403	FUSE 20A (M2)
11116201	HTR 3 1.5KW ASSY (M13)
20517901	HTR 3 2.5KW ASSY (M7, M8, M15, M17)
20460613	HTR 3 3.5 KW ASSY (M1)
20517902	HTR 3 3.5KW ASSY (M1, M3, M4, M5, M6)
20517903	HTR 3 5.0KW ASSY (M14, M16, M18)
20460608	HTR 4 3.7 KW ASSY (M2)
20295706	INDOOR AMBIENT THERMISTOR (M1, M2)
11114909	MOTOR-FAN (M5, M6, M11, M12, M14, M15, M16, M17, M18)
11114908	MOTOR-FAN (M2)
11114907	MOTOR-FAN (M1, M3, M4, M7, M8, M9, M10, M13)
20475301	PC BOARD (M1, M2)
20475302	PC BOARD
20356702	SCROLL-BLOWER
20295707	THERMISTOR
20295706	THERMISTOR
11172101	TRANSFORMER (M2)
B1378501	TRANSFORMER (M1, M3, M4, M5, M6, M7, M8, M9, M10, M11, M12, M13, M14, M15, M16, M17, M18)
11044101	WHEEL, BLOWER

Functional Parts

Part

No: **Description:**

SPECIAL PARTS

RP4210032 MANUAL PARTS
RS4900003 MANUAL SERVICE
11113309 MANUAL-OWNERS
11046402 WARRANTY

Expanded Model Nomenclature

M1 - PTC073B35AF	P1248853R
M2 - PTC074B35AF	P1248854R
M3 - PTC073B35AJ	P1259901R
M4 - PTC093B35AJ	P1259902R
M5 - PTC123B35AJ	P1259903R
M6 - PTC153B35AJ	P1259907R
M7 - PTC073B25AJ	P1259909R
M8 - PTC093B25AJ	P1259910R
M9 - PTC073B00AJ	P1259912R
M10 - PTC093B00AJ	P1259913R
M11 - PTC123B00AJ	P1259914R
M12 - PTC153B00AJ	P1259915R
M13 - PTC073B15AJ	P1259916R
M14 - PTC093B50AJ	P1259917R
M15 - PTC123B25AJ	P1259920R
M16 - PTC123B50AJ	P1259921R
M17 - PTC153B25AJ	P1259924R
M18 - PTC153B50AJ	P1259925R

Front/Chassis

Image 1

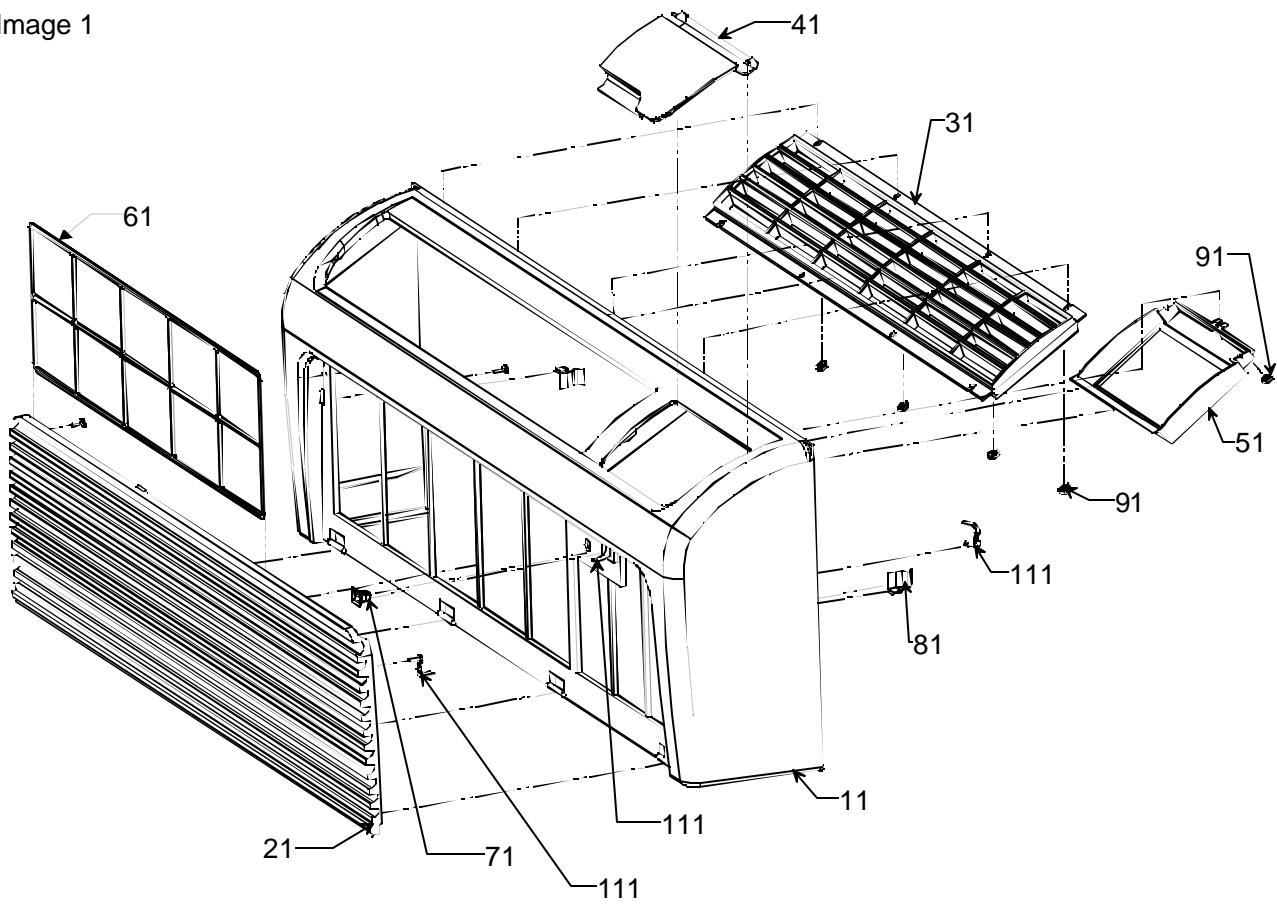
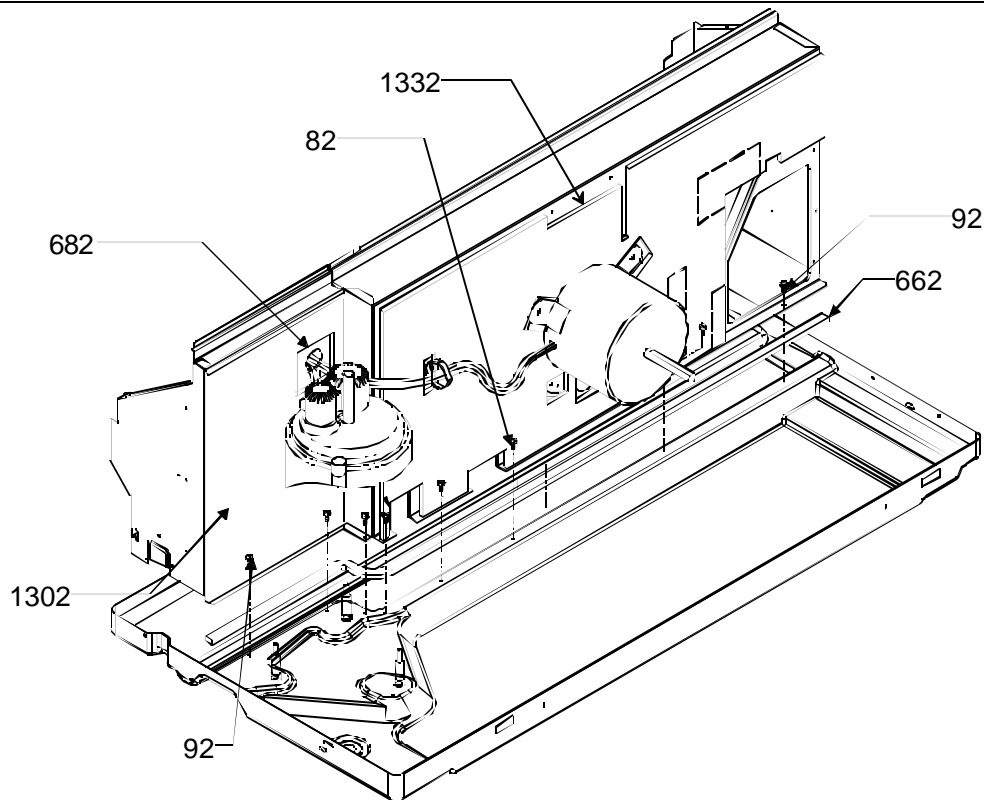


Image 2



Front/Chassis

Ref. Part No:	Part No:	Description:	Ref. Part No:	Part No:	Description:
---------------	----------	--------------	---------------	----------	--------------

Image 1:

11	20415203	FRONT
21	20415402	GRILLE-INTAKE
31	20415301	GRILLE-EXHAUST
41	20415901	DOOR ASSY-AMANA
51	20415601	HOUSING,CONTROL
61	20415801	FILTER
71	10690002	DOOR CATCH ASSY
81	11045102	CLIP-SIDE (QTY 2)
91	M0293604	PALNUT (QTY 5)
111	20480501	RESTRAINT-INLET GRIL (QTY 2)

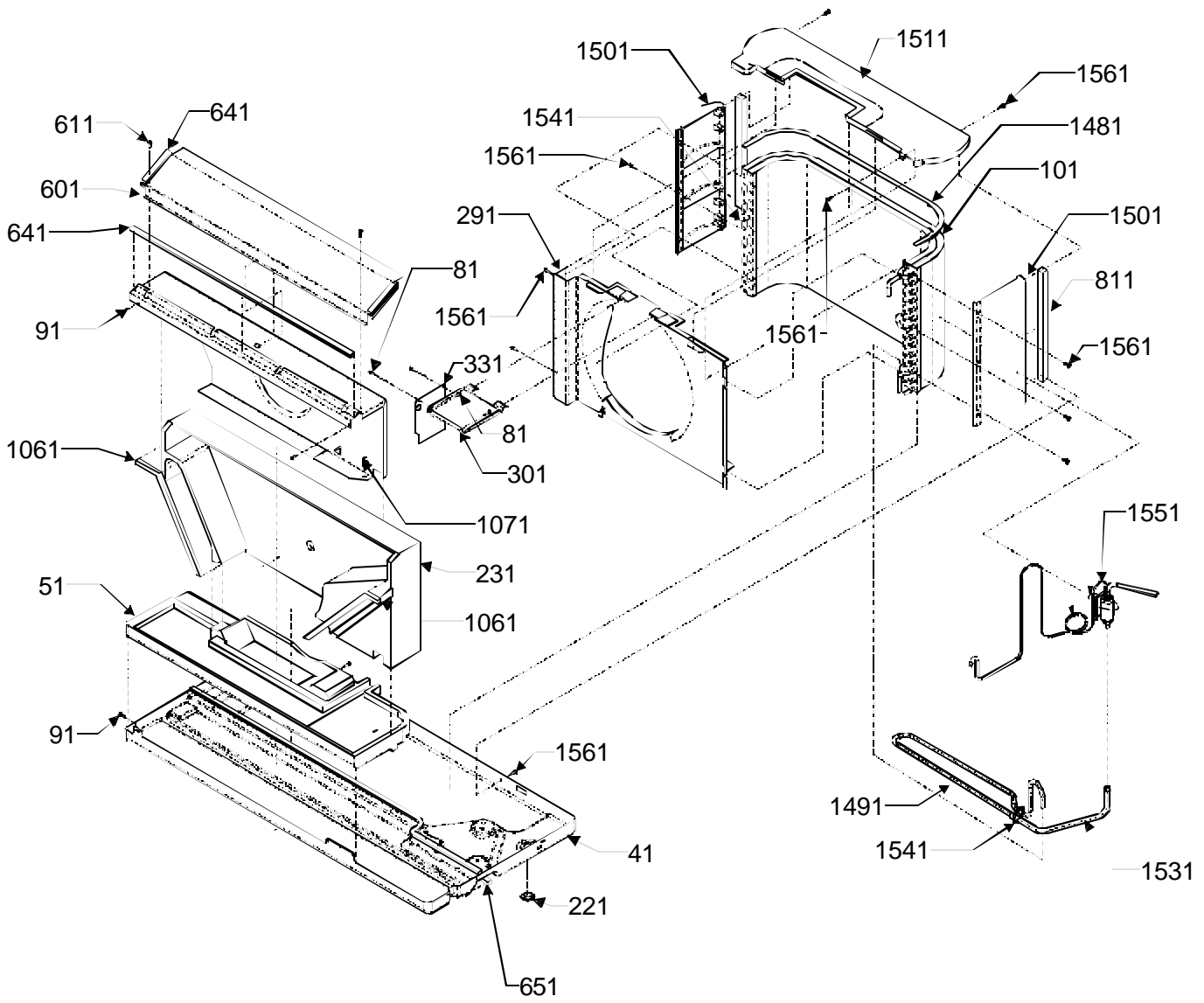
Image 2:

82	M0211216	SCREW (QTY AR)
92	M0216716	SCREW (QTY AR)
662	10839828	GASKET-.12X.50X43
682	M0275521	SEALER (QTY 2)
1302	20417402	INSULAT.
1332	11122901	INSUL-PART PAN (M1, M2)

Expanded Model Nomenclature

M1 - PTC073B35AF	P1248853R
M2 - PTC074B35AF	P1248854R
M3 - PTC073B35AJ	P1259901R
M4 - PTC093B35AJ	P1259902R
M5 - PTC123B35AJ	P1259903R
M6 - PTC153B35AJ	P1259907R
M7 - PTC073B25AJ	P1259909R
M8 - PTC093B25AJ	P1259910R
M9 - PTC073B00AJ	P1259912R
M10 - PTC093B00AJ	P1259913R
M11 - PTC123B00AJ	P1259914R
M12 - PTC153B00AJ	P1259915R
M13 - PTC073B15AJ	P1259916R
M14 - PTC093B50AJ	P1259917R
M15 - PTC123B25AJ	P1259920R
M16 - PTC123B50AJ	P1259921R
M17 - PTC153B25AJ	P1259924R
M18 - PTC153B50AJ	P1259925R

Chassis



Chassis

Ref. Part No:	Part No:	Description:	Ref. Part No:	Part No:	Description:
---------------	----------	--------------	---------------	----------	--------------

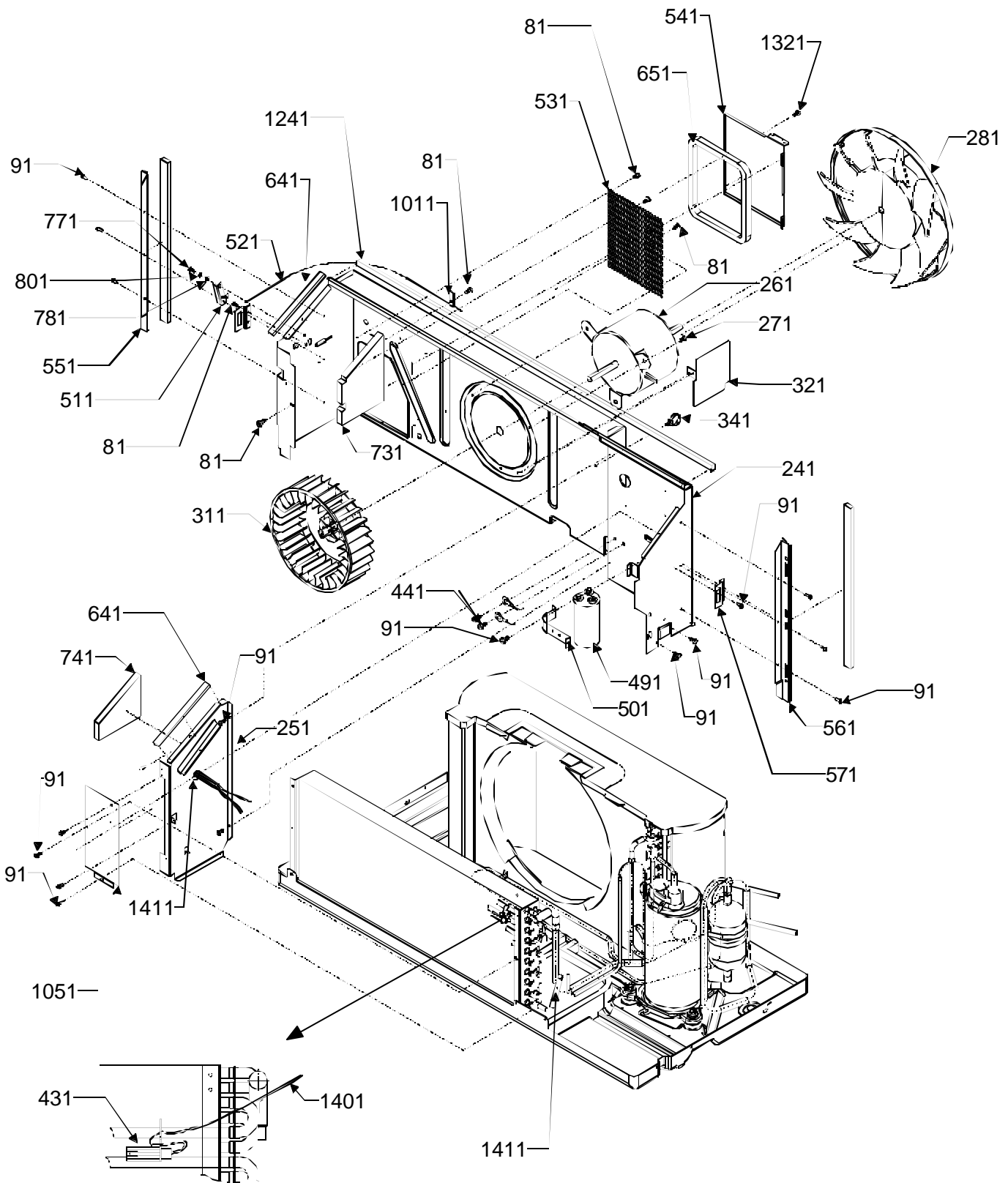
Image 1:

41	20403508	BASEPAN
51	20403802	PAD-EVAP
81	M0211216	SCREW (QTY AR)
91	M0216716	SCREW (QTY AR)
101	20456602BND	CONDENSOR ASSY (M5, M6, M7, M8, M11, M12, M13, M14, M15, M16, M17, M18)
101	20456603BND	CONDENSOR ASSY (M1, M2, M4, M10)
101	20466202BND	CONDENSOR ASSY (M3, M9)
221	A3080003	PLUG-BUTTON (M1, M2)
221	M0570805	PLUG-BUTTON (M3, M4, M5, M6, M7, M8, M9, M10, M11, M12, M13, M14, M15, M16, M17, M18)
231	20356702	SCROLL-BLOWER
291	20401301	SHROUD-COND
301	11044201	BRACE-TIE
331	20417702	BAFFLE-TOP
601	11123910	SCREEN-PNT DISCH
611	M0204517	SCREW-SM STL ZINC (QTY 2)
641	20455902	GASKET .50X.25 (QTY 5)
651	10839808	GASKET-.37X.50 (QTY 5)
811	20455901	GASKET .62X.75 (QTY 2)
1061	10839706	GASKET .50X.50 (QTY 2)
1071	M0120801	CLIP-GUIDE
1481	10839812	GASKET-.12X.50 (QTY 2)
1491	20453901	TUBE-SUBCOOLER (M1, M2, M4, M5, M6, M8, M10, M11, M12, M14, M15, M16, M17, M18)
1501	20357001	SIDE COVER-COND (QTY 2)
1511	20396701	TOP COVER-COND
1531	20477802	SPLIT TUBING (M1, M2, M4, M5, M6, M8, M10, M11, M12, M14, M15, M16, M17, M18)
1541	M0321202	TIE (QTY AR)
1551	M0322201	WIRE TIE
1561	M0211018	SCREW 5/8" (QTY AR)

Expanded Model Nomenclature

M1 - PTC073B35AF	P1248853R
M2 - PTC074B35AF	P1248854R
M3 - PTC073B35AJ	P1259901R
M4 - PTC093B35AJ	P1259902R
M5 - PTC123B35AJ	P1259903R
M6 - PTC153B35AJ	P1259907R
M7 - PTC073B25AJ	P1259909R
M8 - PTC093B25AJ	P1259910R
M9 - PTC073B00AJ	P1259912R
M10 - PTC093B00AJ	P1259913R
M11 - PTC123B00AJ	P1259914R
M12 - PTC153B00AJ	P1259915R
M13 - PTC073B15AJ	P1259916R
M14 - PTC093B50AJ	P1259917R
M15 - PTC123B25AJ	P1259920R
M16 - PTC123B50AJ	P1259921R
M17 - PTC153B25AJ	P1259924R
M18 - PTC153B50AJ	P1259925R

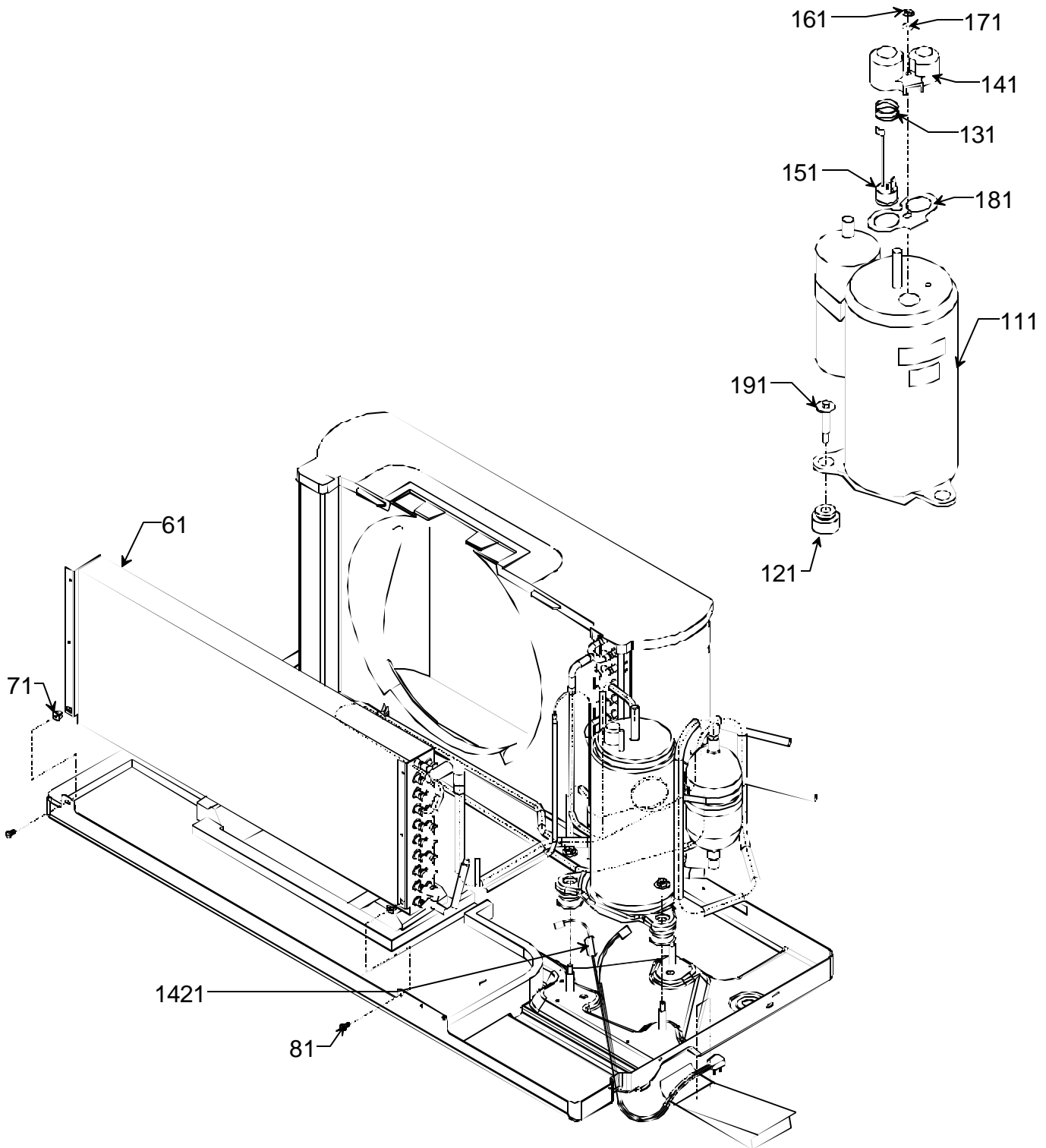
Chassis



Chassis

Ref. Part No:	No:	Description:	Ref. Part No:	No:	Description:
<i>Image 1:</i>			Expanded Model Nomenclature		
81	M0211216	SCREW (QTY AR)	M1	-	PTC073B35AF P1248853R
91	M0216716	SCREW (QTY AR)	M2	-	PTC074B35AF P1248854R
241	20403104	PANEL-PTN PNT (M1, M2)	M3	-	PTC073B35AJ P1259901R
241	20403105	PANEL-PTN PNT (M3, M4, M5, M6, M7, M8, M9, M10, M11, M12, M13, M14, M15, M16, M17, M18)	M4	-	PTC093B35AJ P1259902R
251	20403302	PANEL-MID PTN	M5	-	PTC123B35AJ P1259903R
261	11114907	MOTOR-FAN (M1, M3, M4, M7, M8, M9, M10, M13)	M6	-	PTC153B35AJ P1259907R
261	11114908	MOTOR-FAN (M2)	M7	-	PTC073B25AJ P1259909R
261	11114909	MOTOR-FAN (M5, M6, M11, M12, M14, M15, M16, M17, M18)	M8	-	PTC093B25AJ P1259910R
271	M0224956	SCREW, TAP (QTY 3)	M9	-	PTC073B00AJ P1259912R
281	20414601	FAN-PL. COND.	M10	-	PTC093B00AJ P1259913R
311	11044101	WHEEL, BLOWER	M11	-	PTC123B00AJ P1259914R
321	20480901	BAFFLE-COND INLT (M1, M2)	M12	-	PTC153B00AJ P1259915R
321	20480902	BAFFLE-COND INLT (M3, M4, M5, M6, M7, M8, M9, M10, M11, M12, M13, M14, M15, M16, M17, M18)	M13	-	PTC073B15AJ P1259916R
341	M0118702	CLIP-GUIDE	M14	-	PTC093B50AJ P1259917R
431	20075601	CLIP-T'STAT (M1, M2)	M15	-	PTC123B25AJ P1259920R
441	M0227803	SCREW (QTY 2)	M16	-	PTC123B50AJ P1259921R
491	D6789051	CAPACITOR (M5, M11, M15, M16)	M17	-	PTC153B25AJ P1259924R
491	D6789049	CAPACITOR-POLY (M6, M12, M17, M18)	M18	-	PTC153B50AJ P1259925R
491	D6789054	CAPACITOR-ROUND (M3, M4, M7, M8, M9, M10, M13, M14)			
491	D6789054	CAPACITOR-ROUND (M1)			
491	D6789063	CAPACITOR-ROUND (M2)			
501	C6300502	CAPACITOR STRAP			
511	11046302	LEVER ARM			
521	11115401	CABLE			
531	20304003	SHIELD-PROTECTION			
541	11046105	DOOR-VENT			
551	20416201	LFT SD SEAL			
561	20416101	LFT SD SEAL			
571	11191703	BRKT-PART PAN (QTY 2)			
641	20455902	GASKET (QTY 5)			
651	10839808	GASKET, FOAM (QTY 5)			
731	11122901	INSUL-LEFT			
741	11123001	INSUL-RIGHT			
771	M0220757	SCREW, SHOULDER			
781	M0273701	WASHER-SPRING			
801	M0270529	WASHER			
1011	M0108103	CLAMP-TUBE			
1051	20410801	COVER-ACCESS			
1241	10839807	GASKET-.37X.75 (QTY 3)			
1321	M0238833	SCREW SHOULDER			
1401	20295706	THERMISTOR			
1411	20295707	THERMISTOR			

Compressor/Tubing



Compressor/Tubing

Ref. Part No:	Part No:	Description:	Ref. Part No:	Part No:	Description:
---------------	----------	--------------	---------------	----------	--------------

Image 1:

61	20456702	EVAPORATOR ASSY
61	20457202	EVAPORATOR ASSY (M1, M2, M4, M8, M10, M14)
61	20473902	EVAPORATOR ASSY (M3, M7, M9, M13)
71	A3315701	GROMMET (QTY 2)
81	M0211216	SCREW (QTY AR)
111	D6926123	COMPRESSOR 2K21T236 (M6, M12, M17, M18)
111	D6985807	COMPRESSOR 2P17S3R236A (M5, M11, M15, M16)
111	D6887711	COMPRESSOR 2R13S3R236A (M4, M8, M10, M14)
111	D6887715	COMPRESSOR 2R9U236A6A (M1, M3, M7, M9, M13)
111	D6887716	COMPRESSOR 2R9U276A6A (M2)
121	A3448602	GROMMET (M5, M6, M11, M12, M15, M16, M17, M18)
121	A4622801	GROMMET (M1, M2, M3, M4, M7, M8, M9, M10, M13, M14)
131	A3436901	SPRING, OVERLOAD (M1, M2, M3, M4, M5, M6, M7, M8, M9, M10, M11, M12, M13, M14, M15, M16)
141	10329001	COVER-TERM
151	D6961612	OVERLOAD (M5, M11, M15, M16)
151	D6961636	OVERLOAD (M1, M3, M7, M9, M13)
151	D6961637	OVERLOAD (M2)
151	D6961639	OVERLOAD (M4, M8, M10, M14)
161	A3436601	NUT-TERM COVER
171	A3436801	GASKET, NUT
181	A3436701	GASKET-TERM COVER
191	M0253610	SCREW-SHLDR (M5, M6, M11, M12, M15, M16, M17, M18)
191	M0253661	SCREW-SHLDR (M1, M2, M3, M4, M7, M8, M9, M10, M13, M14)
1421	20320702	CLAMP ON FERRITE (M1, M2)

Expanded Model Nomenclature

M1 - PTC073B35AF	P1248853R
M2 - PTC074B35AF	P1248854R
M3 - PTC073B35AJ	P1259901R
M4 - PTC093B35AJ	P1259902R
M5 - PTC123B35AJ	P1259903R
M6 - PTC153B35AJ	P1259907R
M7 - PTC073B25AJ	P1259909R
M8 - PTC093B25AJ	P1259910R
M9 - PTC073B00AJ	P1259912R
M10 - PTC093B00AJ	P1259913R
M11 - PTC123B00AJ	P1259914R
M12 - PTC153B00AJ	P1259915R
M13 - PTC073B15AJ	P1259916R
M14 - PTC093B50AJ	P1259917R
M15 - PTC123B25AJ	P1259920R
M16 - PTC123B50AJ	P1259921R
M17 - PTC153B25AJ	P1259924R
M18 - PTC153B50AJ	P1259925R

heater Assembly/Fuse/Power Cord

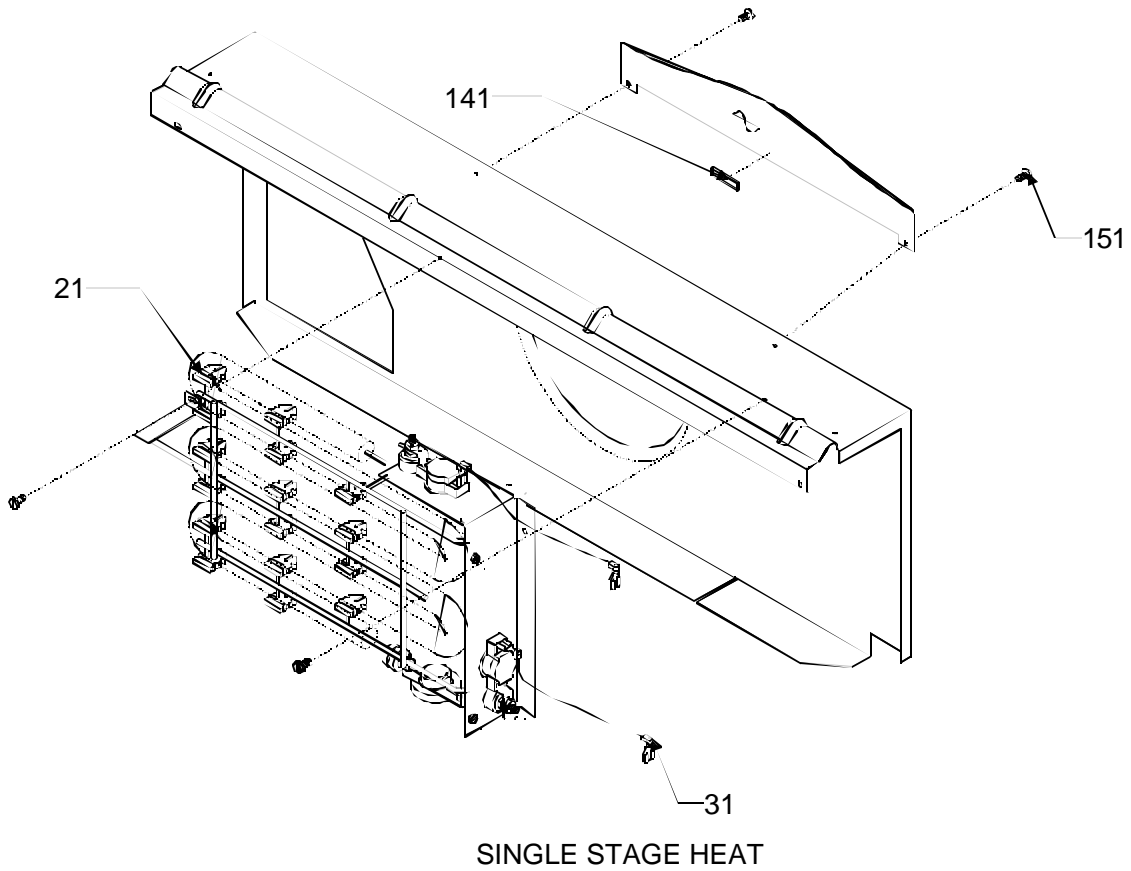
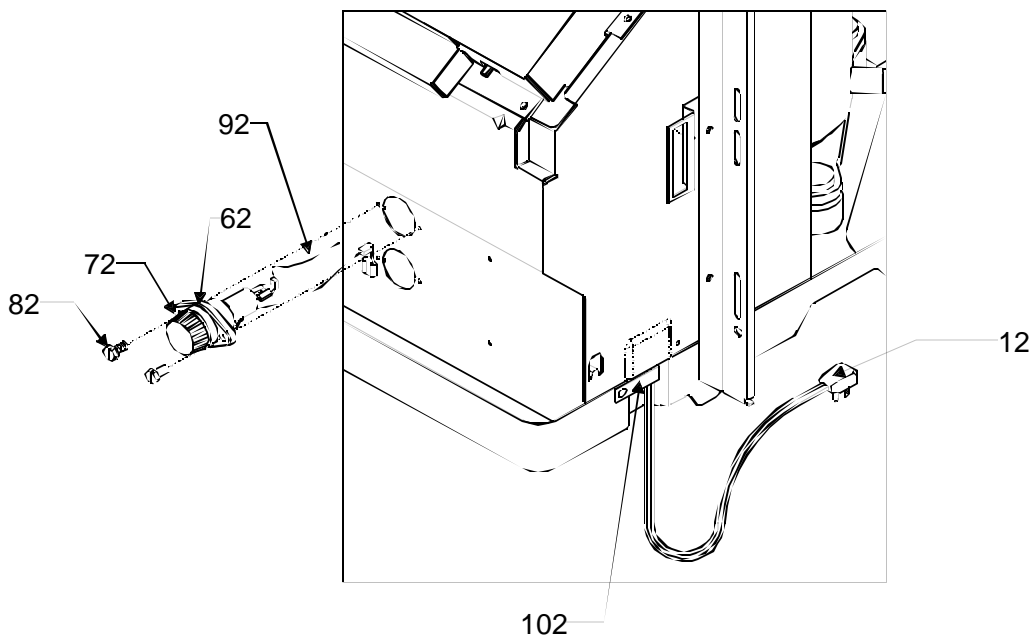


Image 1

Image 2



heater Assembly/Fuse/Power Cord

Ref. Part No:	Part No:	Description:	Ref. Part No:	Part No:	Description:
---------------	----------	--------------	---------------	----------	--------------

Image 1:

21	11116201	HTR 3 1.5KW ASSY (M13)
21	20517901	HTR 3 2.5KW ASSY (M7, M8, M15, M17)
21	20517902	HTR 3 3.5KW ASSY (M1, M3, M4, M5, M6)
21	20517903	HTR 3 5.0KW ASSY (M14, M16, M18)
21	20460608	HTR 4 3.7 KW ASSY (M2)
31	20260805	BR34 WIRE (M1, M2, M3, M4, M5, M6, M7, M8, M13, M14, M15, M16, M17, M18)
101	M0103905	CLAMP-SPEED (M7, M8, M9, M10, M11, M12, M13, M15, M17)
141	10839722	GASKET .25X.06
151	M0216716	SCREW (QTY 2)

Image 2:

12	22309901	CORD-230V 15AMP (M7, M8, M9, M10, M11, M12, M13, M15, M16)
12	22309902	CORD-230V 20AMP (M3, M4, M5, M6)
12	22309903	CORD-230V 30AMP (M14, M16, M18)
12	11114501	CORD-250V 20A (M1)
12	11114701	CORD-277V-20A (M2)
62	C6476002	HOLDER-BAYONET FUSE (M2)
72	A3410403	FUSE 20A (M2)
82	M0213817	SCREW (M2)
92	10618850	WIRE BK18 (M2)
102	M0103906	CLAMP-SPEED (M1, M2, M3, M4, M5, M6, M14, M16, M18)

Expanded Model Nomenclature

M1 - PTC073B35AF	P1248853R
M2 - PTC074B35AF	P1248854R
M3 - PTC073B35AJ	P1259901R
M4 - PTC093B35AJ	P1259902R
M5 - PTC123B35AJ	P1259903R
M6 - PTC153B35AJ	P1259907R
M7 - PTC073B25AJ	P1259909R
M8 - PTC093B25AJ	P1259910R
M9 - PTC073B00AJ	P1259912R
M10 - PTC093B00AJ	P1259913R
M11 - PTC123B00AJ	P1259914R
M12 - PTC153B00AJ	P1259915R
M13 - PTC073B15AJ	P1259916R
M14 - PTC093B50AJ	P1259917R
M15 - PTC123B25AJ	P1259920R
M16 - PTC123B50AJ	P1259921R
M17 - PTC153B25AJ	P1259924R
M18 - PTC153B50AJ	P1259925R

Control Panel

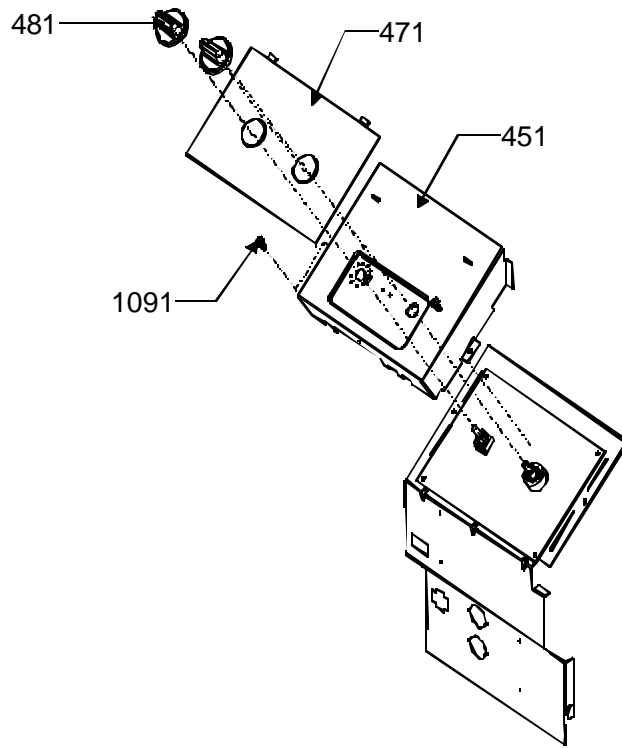
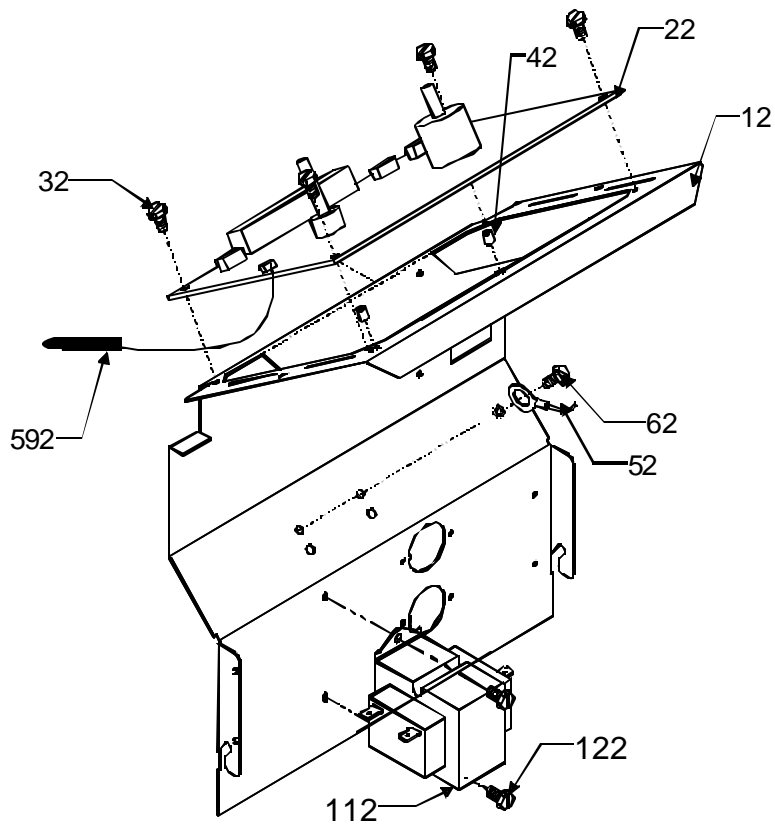


Image 1

Image 2



Control Panel

Ref. Part No:	Part No:	Description:	Ref. Part No:	Part No:	Description:
---------------	----------	--------------	---------------	----------	--------------

Image 1:

451	11044404	PANL. COVER
471	20480702	PLATE-ESC
481	11042903	KNOB-CONTROL (QTY 2)
1091	M0216529	SCREW-SM (QTY 2)

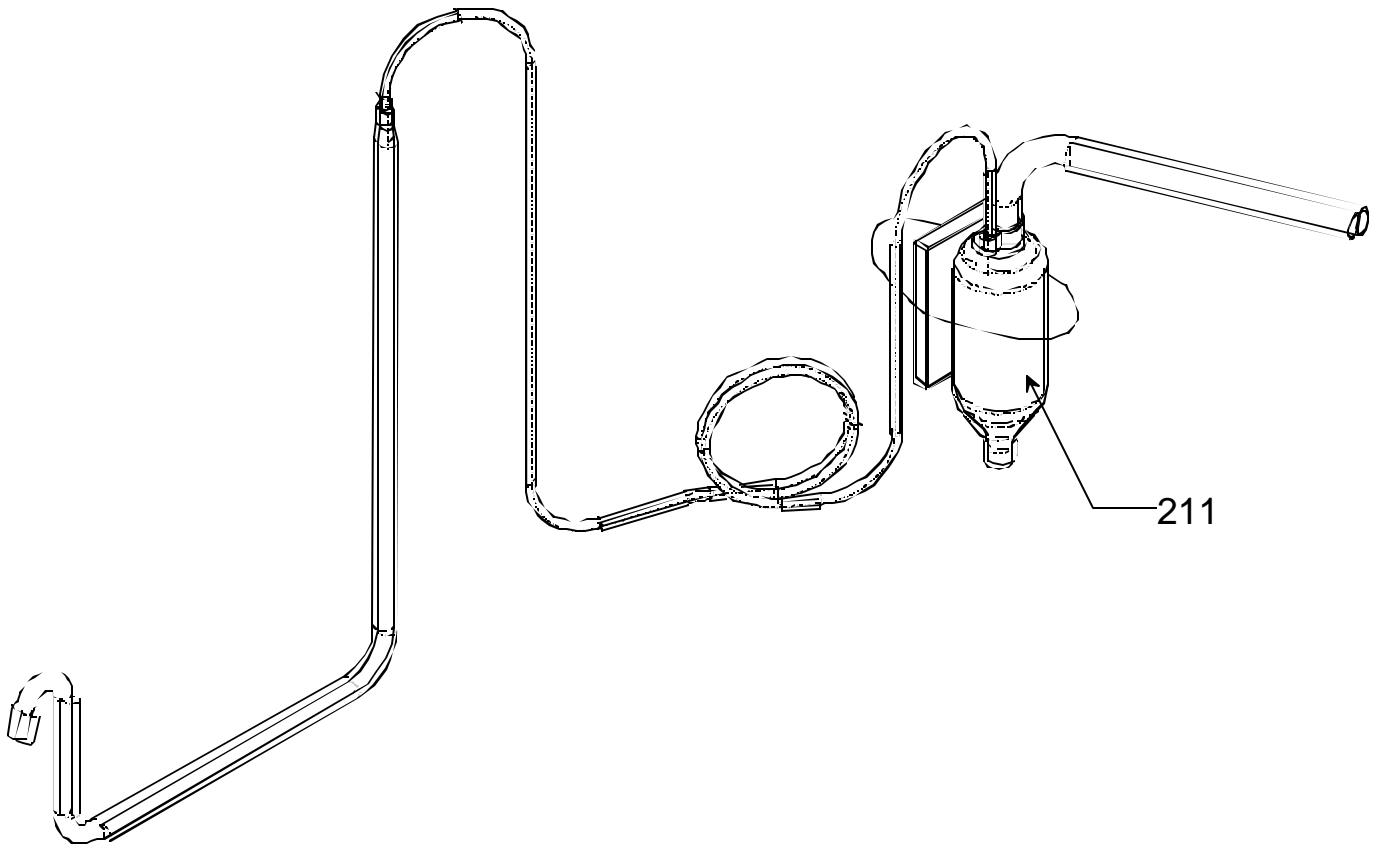
Image 2:

12	11044505	PANEL-CONTROL
22	20475302	PC BOARD
32	M0216529	SCREW-SM (QTY 4)
42	M0590702	SUPPORT (QTY 2)
52	10618849	WIRE, JUMPER (GN1)
62	M0227803	SCREW
112	11172101	TRANSFORMER (M2)
112	B1378501	TRANSFORMER (M1, M3, M4, M5, M6, M7, M8, M9, M10, M11, M12, M13, M14, M15, M16, M17, M18)
122	M0216716	SCREW-SM (QTY 2)
592	20295706	INDOOR AMBIENT THERMISTOR (M1, M2)

Expanded Model Nomenclature

M1 - PTC073B35AF	P1248853R
M2 - PTC074B35AF	P1248854R
M3 - PTC073B35AJ	P1259901R
M4 - PTC093B35AJ	P1259902R
M5 - PTC123B35AJ	P1259903R
M6 - PTC153B35AJ	P1259907R
M7 - PTC073B25AJ	P1259909R
M8 - PTC093B25AJ	P1259910R
M9 - PTC073B00AJ	P1259912R
M10 - PTC093B00AJ	P1259913R
M11 - PTC123B00AJ	P1259914R
M12 - PTC153B00AJ	P1259915R
M13 - PTC073B15AJ	P1259916R
M14 - PTC093B50AJ	P1259917R
M15 - PTC123B25AJ	P1259920R
M16 - PTC123B50AJ	P1259921R
M17 - PTC153B25AJ	P1259924R
M18 - PTC153B50AJ	P1259925R

Filter Drier Assembly



Filter Drier Assembly

Ref. Part

No: No:

Description:

Ref. Part

No: No:

Description:

Image 1:

211	20284915	DRIER FILTER (M1, M2, M3, M7, M9, M13)
211	20284916	DRIER FILTER (M4, M8, M10, M14)
211	20284917	DRIER FILTER (M5, M11, M15, M16)
211	20284918	DRIER FILTER (M6, M12, M17, M18)

Expanded Model Nomenclature

M1 - PTC073B35AF	P1248853R
M2 - PTC074B35AF	P1248854R
M3 - PTC073B35AJ	P1259901R
M4 - PTC093B35AJ	P1259902R
M5 - PTC123B35AJ	P1259903R
M6 - PTC153B35AJ	P1259907R
M7 - PTC073B25AJ	P1259909R
M8 - PTC093B25AJ	P1259910R
M9 - PTC073B00AJ	P1259912R
M10 - PTC093B00AJ	P1259913R
M11 - PTC123B00AJ	P1259914R
M12 - PTC153B00AJ	P1259915R
M13 - PTC073B15AJ	P1259916R
M14 - PTC093B50AJ	P1259917R
M15 - PTC123B25AJ	P1259920R
M16 - PTC123B50AJ	P1259921R
M17 - PTC153B25AJ	P1259924R
M18 - PTC153B50AJ	P1259925R