



TECHNICAL MANUAL

PBC/PBE/PBH Through-The-Wall R-410A Air Conditioners & Heat Pumps

- All safety information must be followed
See Installation instructions for more safety precautions.
- Refer to the appropriate Parts Catalog for part number information.
- Models listed on page 3.



This manual is to be used by qualified, professionally trained HVAC technicians only. Goodman does not assume any responsibility for property damage or personal injury due to improper service procedures or services performed by an unqualified person.

RT4271001
May 2010

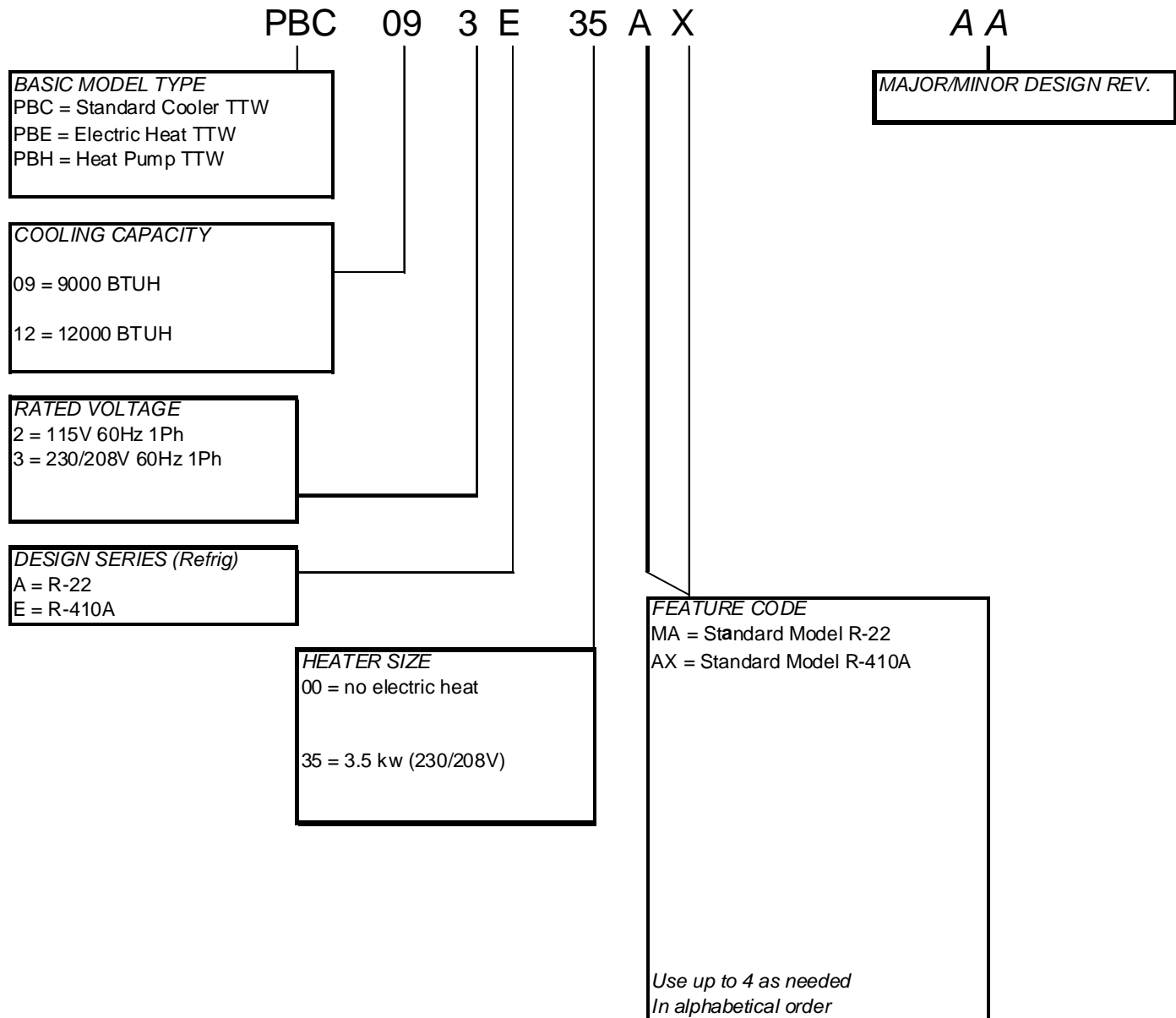



is a registered trademark of Maytag Corporation or its related companies and is used under license to Goodman Company, L.P., Houston, TX. All rights reserved.


Copyright © 2010 Goodman Company, L.P.


PRODUCT IDENTIFICATION

The model number is used for positive identification of component parts used in manufacturing. Please use this number when requesting service or parts information.



| | | |
|---|---|---|
|  WARNING | <p>HIGH VOLTAGE! Disconnect ALL power before servicing or installing this unit. Multiple power sources may be present. Failure to do so may cause property damage, personal injury or death.</p> |  |
|---|---|---|

| | |
|---|---|
|  WARNING | <p>Goodman will not be responsible for any injury or property damage arising from improper service or service procedures. If you install or perform service on this unit, you assume responsibility for any personal injury or property damage which may result. Many jurisdictions require a license to install or service heating and air conditioning equipment.</p> |
|---|---|

| | |
|--|--|
|  WARNING | <p><u>ONLY</u> individuals meeting (at a minimum) the requirements of an "Entry Level Technician" as specified by the Air-Conditioning, Heating, and Refrigeration Institute (AHRI) may use this information. Attempting to install or repair this unit without such background may result in product damage, personal injury, or death.</p> |
|--|--|

PRODUCT IDENTIFICATION



The model number is used for positive identification of component parts used in manufacturing. Please use this number when requesting service or parts information.

PBC092E00AX
PBC122E00AX

PBC093E00AX
PBC123E00AX


PBE093E35AX
PBE123E35AX

PBH092E12AX
PBH093E35AX
PBH113E35AX

 **WARNING**  **HIGH VOLTAGE!** DISCONNECT ALL POWER BEFORE SERVICING OR INSTALLING THIS UNIT. MULTIPLE POWER SOURCES MAY BE PRESENT. FAILURE TO DO SO MAY CAUSE PROPERTY DAMAGE, PERSONAL INJURY OR DEATH.

To avoid death, personal injury or property damage due to electrical shock:


- Observe all local codes and ordinances.
- Disconnect electrical power to unit before servicing.
- Ground appliance properly.
- Check with a qualified electrician if you are not sure this appliance is properly grounded.
- DO NOT ground to gas line.
- DO NOT ground to cold water pipe if pipe is interrupted by plastic, non-metallic gaskets, or other insulating (non-conducting) materials.
- DO NOT modify plug on power cord. If plug does not fit electrical outlet, have proper outlet installed by qualified electrician.
- DO NOT have a fuse in the neutral or ground circuit. A fuse in the neutral or ground circuit could result in an electrical shock.
- DO NOT use an extension cord with this appliance.
- DO NOT use an adapter plug with this appliance.
- DO NOT pinch power cord.
- DO NOT REMOVE warning tag from power cord.


 **WARNING**


HIGH TEMPERATURE STRESS HAZARD
This room air conditioner is not meant to provide unattended cooling or life support for persons or animals that are unable to react to failure of the product.

The failure of an unattended air conditioner may result in extreme heat in the conditioned space causing overheating or death of persons or animals.

Precautions must be taken to ward off or guard against such an occurrence.

 **WARNING** The United States Environmental Protection Agency (“EPA”) has issued various regulations regarding the introduction and disposal of refrigerants introduced into this unit. Failure to follow these regulations may harm the environment and can lead to the imposition of substantial fines. These regulations may vary by jurisdiction. Should questions arise, contact your local EPA office.

 **WARNING** Do not connect or use any device that is not design certified by Goodman for use with this unit. Serious property damage, personal injury, reduced unit performance and/or hazardous conditions may result from the use of such non-approved devices.

 **WARNING** To prevent the risk of property damage, personal injury, or death, do not store combustible materials or use gasoline or other flammable liquids or vapors in the vicinity of this appliance.

PRODUCT DESIGN

PBC, PBE and PBH through-the-wall room air conditioners are designed for window installations in residential applications and are available in 9,000 through 18,000 BTUH sizes. They are designed for 208/230/115 volt single phase applications.

The provided filter must be installed and under no circumstances should the unit be operated without the filter in place.

Location and Clearances

Be sure electrical service is adequate for chosen model of air conditioner or heat pump. Complete electrical rating for unit is found on serial plate located behind front grille. Electrical outlet must be close enough to unit for power cord to reach without strain.

Air conditioner should be the only appliance on individual circuit.

For personal safety and to avoid possible damage to appliance or home, observe all safety instructions.

NOTES:

1. Mechanical experience is required to install the air conditioner or heat pump.
2. Installation can take from 1 to 3 hours, depending on installer's knowledge and skill.
3. If you encounter problems during installation, call our consumer information line toll-free at 1-877-376-0214 (U.S. and Canada only). If your problem cannot be resolved by phone, contact an authorized Amana® brand servicer. *Contact and service will be at your expense.*

SPECIFICATIONS

PBC***E00AX

| MODEL | PBC092E00AX | PBC122E00AX | PBC093E00AX | PBC123E00AX |
|----------------------------------|------------------|------------------|------------------|------------------|
| Cooling (BTU's) | 9200 | 11800 | 9200 8900 | 11800 11400 |
| @ EER | 9.8 | 9.4 | 9.8 | 9.8 |
| Cooling Watts | 940 | 1260 | 940 - 910 | 1200 - 1160 |
| Cooling Amps | 8.6 | 11.6 | 4.4 - 4.7 | 5.6 - 6.0 |
| Voltage | 115 | 115 | 230 -208 | 230 -208 |
| Plug Type | Parallel | Parallel | Tandem | Tandem |
| Power Cord Rating | 15 amp | 15 amp | 15 amp | 15 amp |
| Power Cord Type | LCDI | LCDI | LCDI | LCDI |
| Power Cord length | 8 feet | 8 feet | 6 feet | 6 feet |
| Dehumidification: pints / hour | 41 oz./hr | 55 oz./hr | 41 oz./hr | 55 oz./hr |
| Fan Speeds | | | | |
| CFM cooling : High-Low | 275 | 275 | 275 | 275 |
| Fan Only Speed | 3 Speed | 3 Speed | 3 Speed | 3 Speed |
| Controls | | | | |
| Thermostat temp. range | 64° - 86° | 64° - 86° | 64° - 86° | 64° - 86° |
| Outercase : insulation panels | PBWS01A | PBWS01A | PBWS01A | PBWS01A |
| Condensate Drain Spout | Yes on Outercase | Yes on Outercase | Yes on Outercase | Yes on Outercase |
| Thermostatic Drain Valve | Yes | Yes | Yes | Yes |
| Adjustable changeover thermostat | --- | --- | --- | --- |
| Chassis Size | 26" TTW | 26" TTW | 26" TTW | 26" TTW |
| Chassis Height | 15.625" | 15.625" | 15.625" | 15.625" |
| Chassis Width | 26" | 26" | 26" | 26" |
| Chassis Depth | 16.875" | 16.875" | 16.875" | 16.875" |

SPECIFICATIONS

PBE***E00AX

| MODEL | PBE093E35AX | PBE123E35AX |
|----------------------------------|------------------|------------------|
| Cooling (BTU's) | 9200 8900 | 11800 11400 |
| @ EER | 9.8 | 9.8 |
| Cooling Watts | 940 - 910 | 1200 - 1160 |
| Cooling Amps | 4.4 - 4.7 | 5.6 - 6.0 |
| Electric Heat | 11000 - 9000 | 11000 - 9000 |
| Electric Heat Watts | 3500 - 2900 | 3500 - 2900 |
| Electric Heat Amps | 15 / 14 | 15 / 14 |
| Heatpump | --- | --- |
| Heatpump Watts | --- | --- |
| Heatpump Amps | --- | --- |
| Fan Watts Indoor | 64 Indoor | 64 Indoor |
| Fan Watts Outdoor | 123 Outdoor | 123 Outdoor |
| Voltage | 230 -208 | 230 -208 |
| Plug Type | Perpendicular | Perpendicular |
| Power Cord Rating | 20 amp | 20 amp |
| Power Cord Type | LCDI | LCDI |
| Power Cord length | 6 feet | 6 feet |
| Dehumidification: pints / hr. | 41 oz./hr | 55 oz./hr |
| Fan Speeds | | |
| CFM cooling : High-Low | 265/- | 265/- |
| Fan Only Speed | 3 Speed | 3 Speed |
| Controls | | |
| Thermostat temp. range | 64° - 86° | 64° - 86° |
| Outercase : insulation panels | PBWS01A | PBWS01A |
| Condensate Drain Spout | Yes on Outercase | Yes on Outercase |
| Thermostatic Drain Valve | Yes | Yes |
| Adjustable changeover thermostat | --- | --- |
| Chassis Size | 26" | 26" |
| Chassis Height | 15.625" | 15.625" |
| Chassis Width | 26" | 26" |
| Chassis Depth | 16.875" | 16.875" |

SPECIFICATIONS

PBH***E00AX

| MODEL | PBH092E12AX | PBH093E35AX | PBH113E35AX |
|----------------------------------|------------------|------------------|------------------|
| Cooling (BTU's) | 9000 | 9000 8700 | 11500 11100 |
| @ EER | 9.4 | 9.4 | 9.4 |
| Cooling Watts | 960 | 960 - 930 | 1220 - 1180 |
| Cooling Amps | 8.8 | 4.5 - 4.8 | 5.7 - 6.2 |
| Electric Heat | 3900 | 11000 - 9000 | 11000 - 9000 |
| Electric Heat Watts | 1150 | 3500 - 2900 | 3500 - 2900 |
| Electric Heat Amps | 11 | 15 / 14 | 15 / 14 |
| Heatpump (BTU's) | 8500 | 8500 8200 | 11000 10700 |
| @ C.O.P. | 2.9 | 2.9 | 2.7 |
| Heatpump Watts | 860 | 860 - 830 | 1195 - 1160 |
| Heatpump Amps | 7.7 | 4.0 - 4.2 | 5.2 - 5.6 |
| Fan Watts Indoor | 64 Indoor | 64 Indoor | 64 Indoor |
| Fan Watts Outdoor | 123 Outdoor | 123 Outdoor | 123 Outdoor |
| Voltage | 115 | 230 -208 | 230 -208 |
| Plug Type | Parallel | Perpendicular | Perpendicular |
| Power Cord Rating | 15 amp | 20amp | 20amp |
| Power Cord Type | LCDI | LCDI | LCDI |
| Power Cord length | 8 feet | 6 feet | 6 feet |
| Dehumidification: pints / hr. | 41 oz./hr | 41 oz./hr | 55 oz./hr |
| Fan Speeds | | | |
| CFM cooling : High-Low | 265/- | 265/- | 265/- |
| Fan Only Speed | 3 Speed | 3 Speed | 3 Speed |
| Controls | | | |
| Thermostat temp. range | 64° - 86° | 64° - 86° | 64° - 86° |
| Outercase : insulation panels | PBWS01A | PBWS01A | PBWS01A |
| Condensate Drain Spout | Yes on Outercase | Yes on Outercase | Yes on Outercase |
| Thermostatic Drain Valve | Yes | Yes | Yes |
| Adjustable changeover thermostat | Yes | Yes | Yes |
| Chassis Size | 26" | 26" | 26" |
| Chassis Height | 15.625" | 15.625" | 15.625" |
| Chassis Width | 26" | 26" | 26" |
| Chassis Depth | 16.875" | 16.875" | 16.875" |

PERFORMANCE DATA

PBC***E00AX

PBC "E" MODEL 230V

OUTDOOR TEMP

| MODEL | ID WB ENT | ID DB ENT | TOTAL BTUH | SEN BTUH 85 | SHR | TOTAL BTUH | SEN BTUH 95 | SHR | TOTAL BTUH | SEN BTUH 105 | SHR | TOTAL BTUH | SEN BTUH 115 | SHR |
|--------|-----------|-----------|------------|-------------|-----|------------|-------------|-----|------------|--------------|-----|------------|--------------|-----|
| PBC093 | 61 | 75 | 8675 | 6555 | 76 | 8230 | 6335 | 77 | 7745 | 6100 | 79 | 7235 | 5860 | 81 |
| | | 80 | 8630 | 7675 | 89 | 8195 | 7450 | 91 | 7720 | 7210 | 93 | 7330 | 7330 | 100 |
| | | 85 | 8775 | 8775 | 100 | 8420 | 8420 | 100 | 8050 | 8050 | 100 | 7630 | 7630 | 100 |
| | 67 | 75 | 9815 | 5265 | 54 | 9375 | 5065 | 54 | 8760 | 4860 | 55 | 8185 | 4760 | 58 |
| | | 80 | 9720 | 6510 | 67 | 9200 | 6085 | 66 | 8650 | 5875 | 68 | 8080 | 5595 | 69 |
| | | 85 | 9560 | 7575 | 79 | 9120 | 7445 | 82 | 8505 | 7170 | 84 | 7970 | 6745 | 85 |
| | 73 | 75 | 11030 | 3950 | 36 | 10450 | 3735 | 36 | 9860 | 3520 | 36 | 9235 | 3295 | 36 |
| | | 80 | 10905 | 5045 | 46 | 10335 | 4835 | 47 | 9725 | 4615 | 47 | 9095 | 4390 | 48 |
| | | 85 | 10765 | 6140 | 57 | 10190 | 5930 | 58 | 9575 | 5710 | 60 | 8940 | 5485 | 61 |
| PBC123 | 61 | 75 | 11175 | 11175 | 100 | 10535 | 8370 | 79 | 9810 | 8035 | 82 | 8770 | 7645 | 87 |
| | | 80 | 11130 | 10140 | 91 | 10495 | 9825 | 94 | 9750 | 9465 | 97 | 8875 | 9055 | 102 |
| | | 85 | 11410 | 11410 | 100 | 10880 | 10880 | 100 | 10230 | 10230 | 100 | 9540 | 9540 | 100 |
| | 67 | 75 | 12660 | 6895 | 54 | 12100 | 6660 | 55 | 11230 | 6300 | 56 | 10365 | 5950 | 57 |
| | | 80 | 12520 | 8290 | 66 | 11800 | 7990 | 68 | 11025 | 7675 | 70 | 10130 | 7345 | 73 |
| | | 85 | 12315 | 9750 | 79 | 11705 | 9500 | 81 | 10820 | 9160 | 85 | 9915 | 8825 | 89 |
| | 73 | 75 | 14290 | 5070 | 35 | 13515 | 4780 | 35 | 12725 | 4495 | 35 | 11825 | 4175 | 35 |
| | | 80 | 14120 | 6510 | 46 | 13335 | 6220 | 47 | 12530 | 5930 | 47 | 11535 | 5580 | 48 |
| | | 85 | 13930 | 7950 | 57 | 13165 | 7670 | 58 | 12265 | 7375 | 60 | 11260 | 7000 | 62 |

PERFORMANCE DATA

PBC***E00AX

PBE "E" MODEL 208V

| MODEL | ID WB ENT | ID DB ENT | TOTAL BTUH | SEN BTUH 85 | SHR | TOTAL BTUH | SEN BTUH 95 | SHR | TOTAL BTUH | SEN BTUH 105 | SHR | TOTAL BTUH | SEN BTUH 115 | SHR |
|--------|-----------|-----------|------------|-------------|-----|------------|-------------|-----|------------|--------------|-----|------------|--------------|-----|
| PBC093 | 61 | 75 | 8375 | 6255 | 75 | 7930 | 6035 | 76 | 7445 | 5800 | 78 | 6935 | 5560 | 80 |
| | | 80 | 8330 | 7375 | 89 | 7895 | 7150 | 91 | 7420 | 6910 | 93 | 7030 | 7030 | 100 |
| | | 85 | 8475 | 8475 | 100 | 8120 | 8120 | 100 | 7750 | 7750 | 100 | 7330 | 7330 | 100 |
| | 67 | 75 | 9515 | 4965 | 52 | 9075 | 4765 | 53 | 8460 | 4560 | 54 | 7885 | 4460 | 57 |
| | | 80 | 9420 | 6210 | 66 | 8900 | 5785 | 65 | 8350 | 5575 | 67 | 7780 | 5295 | 68 |
| | | 85 | 9260 | 7275 | 79 | 8820 | 7145 | 81 | 8205 | 6870 | 84 | 7676 | 6445 | 84 |
| | 73 | 75 | 10730 | 3650 | 34 | 10150 | 3435 | 34 | 9560 | 3220 | 34 | 8935 | 2995 | 34 |
| | | 80 | 10605 | 4745 | 45 | 10035 | 4535 | 45 | 9425 | 4315 | 46 | 8795 | 4090 | 47 |
| | | 85 | 10465 | 5840 | 56 | 9890 | 5630 | 57 | 9275 | 5410 | 58 | 8640 | 5185 | 60 |
| PBC123 | 61 | 75 | 10775 | 10775 | 100 | 10135 | 7970 | 79 | 9410 | 7635 | 81 | 8370 | 7245 | 87 |
| | | 80 | 10730 | 9740 | 91 | 10095 | 9425 | 93 | 9350 | 9065 | 97 | 8475 | 8655 | 102 |
| | | 85 | 11010 | 11010 | 100 | 10480 | 10480 | 100 | 9830 | 9830 | 100 | 9140 | 9140 | 100 |
| | 67 | 75 | 12260 | 6495 | 53 | 11700 | 6260 | 53 | 10830 | 5900 | 54 | 9965 | 5550 | 56 |
| | | 80 | 12120 | 7890 | 65 | 11400 | 7590 | 67 | 10625 | 7275 | 68 | 9730 | 6945 | 71 |
| | | 85 | 11915 | 9350 | 78 | 11305 | 9095 | 80 | 10420 | 8760 | 84 | 9515 | 8420 | 89 |
| | 73 | 75 | 13890 | 4670 | 34 | 13115 | 4380 | 33 | 12325 | 4095 | 33 | 11425 | 3775 | 33 |
| | | 80 | 13720 | 6110 | 45 | 12935 | 5820 | 45 | 12130 | 5530 | 46 | 11135 | 5180 | 47 |
| | | 85 | 13530 | 7550 | 56 | 12765 | 7270 | 57 | 11865 | 6975 | 59 | 10860 | 6600 | 61 |

PERFORMANCE DATA

PBE***E00AX

PBE "E" MODEL 230V

OUTDOOR TEMP

| MODEL | ID WB ENT | ID DB ENT | TOTAL BTUH | SEN BTUH 85 | SHR | TOTAL BTUH | SEN BTUH 95 | SHR | TOTAL BTUH | SEN BTUH 105 | SHR | TOTAL BTUH | SEN BTUH 115 | SHR |
|--------|-----------|-----------|------------|-------------|-----|------------|-------------|-----|------------|--------------|-----|------------|--------------|-----|
| PBE092 | | 75 | 8675 | 6555 | 76 | 8230 | 6335 | 77 | 7745 | 6100 | 79 | 7235 | 5860 | 81 |
| | 61 | 80 | 8630 | 7675 | 89 | 8195 | 7450 | 91 | 7720 | 7210 | 93 | 7330 | 7330 | 100 |
| | | 85 | 8775 | 8775 | 100 | 8420 | 8420 | 100 | 8050 | 8050 | 100 | 7630 | 7630 | 100 |
| | | 75 | 9815 | 5265 | 54 | 9375 | 5065 | 54 | 8760 | 4860 | 55 | 8185 | 4760 | 58 |
| | 67 | 80 | 9720 | 6510 | 67 | 9200 | 6085 | 66 | 8650 | 5875 | 68 | 8080 | 5595 | 69 |
| | | 85 | 9560 | 7575 | 79 | 9120 | 7445 | 82 | 8505 | 7170 | 84 | 7970 | 6745 | 85 |
| | | 75 | 11030 | 3950 | 36 | 10450 | 3735 | 36 | 9860 | 3520 | 36 | 9235 | 3295 | 36 |
| | 73 | 80 | 10905 | 5045 | 46 | 10335 | 4835 | 47 | 9725 | 4615 | 47 | 9095 | 4390 | 48 |
| | | 85 | 10765 | 6140 | 57 | 10190 | 5930 | 58 | 9575 | 5710 | 60 | 8940 | 5485 | 61 |
| PBE123 | | 75 | 11175 | 11175 | 100 | 10535 | 8370 | 79 | 9810 | 8035 | 82 | 8770 | 7645 | 87 |
| | 61 | 80 | 11130 | 10140 | 91 | 10495 | 9825 | 94 | 9750 | 9465 | 97 | 8875 | 9055 | 102 |
| | | 85 | 11410 | 11410 | 100 | 10880 | 10880 | 100 | 10230 | 10230 | 100 | 9540 | 9540 | 100 |
| | | 75 | 12660 | 6895 | 54 | 12100 | 6660 | 55 | 11230 | 6300 | 56 | 10365 | 5950 | 57 |
| | 67 | 80 | 12520 | 8290 | 66 | 11800 | 7990 | 68 | 11025 | 7675 | 70 | 10130 | 7345 | 73 |
| | | 85 | 12315 | 9750 | 79 | 11705 | 9500 | 81 | 10820 | 9160 | 85 | 9915 | 8825 | 89 |
| | | 75 | 14290 | 5070 | 35 | 13515 | 4780 | 35 | 12725 | 4495 | 35 | 11825 | 4175 | 35 |
| | 73 | 80 | 14120 | 6510 | 46 | 13335 | 6220 | 47 | 12530 | 5930 | 47 | 11535 | 5580 | 48 |
| | | 85 | 13930 | 7950 | 57 | 13165 | 7670 | 58 | 12265 | 7375 | 60 | 11260 | 7000 | 62 |

PERFORMANCE DATA

PBE***E00AX

PBE "E" MODEL 208V

| MODEL | ID WB ENT | ID DB ENT | TOTAL BTUH | SEN BTUH 85 | SHR | TOTAL BTUH | SEN BTUH 95 | SHR | TOTAL BTUH | SEN BTUH 105 | SHR | TOTAL BTUH | SEN BTUH 115 | SHR |
|--------|-----------|-----------|------------|-------------|-----|------------|-------------|-----|------------|--------------|-----|------------|--------------|-----|
| PBE093 | 61 | 75 | 8375 | 6255 | 75 | 7930 | 6035 | 76 | 7445 | 5800 | 78 | 6935 | 5560 | 80 |
| | | 80 | 8330 | 7375 | 89 | 7895 | 7150 | 91 | 7420 | 6910 | 93 | 7030 | 7030 | 100 |
| | | 85 | 8475 | 8475 | 100 | 8120 | 8120 | 100 | 7750 | 7750 | 100 | 7330 | 7330 | 100 |
| | 67 | 75 | 9515 | 4965 | 52 | 9075 | 4765 | 53 | 8460 | 4560 | 54 | 7885 | 4460 | 57 |
| | | 80 | 9420 | 6210 | 66 | 8900 | 5785 | 65 | 8350 | 5575 | 67 | 7780 | 5295 | 68 |
| | | 85 | 9260 | 7275 | 79 | 8820 | 7145 | 81 | 8205 | 6870 | 84 | 7676 | 6445 | 84 |
| | 73 | 75 | 10730 | 3650 | 34 | 10150 | 3435 | 34 | 9560 | 3220 | 34 | 8935 | 2995 | 34 |
| | | 80 | 10605 | 4745 | 45 | 10035 | 4535 | 45 | 9425 | 4315 | 46 | 8795 | 4090 | 47 |
| | | 85 | 10465 | 5840 | 56 | 9890 | 5630 | 57 | 9275 | 5410 | 58 | 8640 | 5185 | 60 |
| PBE123 | 61 | 75 | 10775 | 10775 | 100 | 10135 | 7970 | 79 | 9410 | 7635 | 81 | 8370 | 7245 | 87 |
| | | 80 | 10730 | 9740 | 91 | 10095 | 9425 | 93 | 9350 | 9065 | 97 | 8475 | 8655 | 102 |
| | | 85 | 11010 | 11010 | 100 | 10480 | 10480 | 100 | 9830 | 9830 | 100 | 9140 | 9140 | 100 |
| | 67 | 75 | 12260 | 6495 | 53 | 11700 | 6260 | 53 | 10830 | 5900 | 54 | 9965 | 5550 | 56 |
| | | 80 | 12120 | 7890 | 65 | 11400 | 7590 | 67 | 10625 | 7275 | 68 | 9730 | 6945 | 71 |
| | | 85 | 11915 | 9350 | 78 | 11305 | 9095 | 80 | 10420 | 8760 | 84 | 9515 | 8420 | 89 |
| | 73 | 75 | 13890 | 4670 | 34 | 13115 | 4380 | 33 | 12325 | 4095 | 33 | 11425 | 3775 | 33 |
| | | 80 | 13720 | 6110 | 45 | 12935 | 5820 | 45 | 12130 | 5530 | 46 | 11135 | 5180 | 47 |
| | | 85 | 13530 | 7550 | 56 | 12765 | 7270 | 57 | 11865 | 6975 | 59 | 10860 | 6600 | 61 |

PERFORMANCE DATA

PBH***E00AX

PBH "E" MODEL 115V

OUTDOOR TEMP

| MODEL | ID WB ENT | ID DB ENT | TOTAL BTUH | SEN BTUH 85 | SHR | TOTAL BTUH | SEN BTUH 95 | SHR | TOTAL BTUH | SEN BTUH 105 | SHR | TOTAL BTUH | SEN BTUH 115 | SHR |
|--------|-----------|-----------|------------|-------------|-----|------------|-------------|-----|------------|--------------|-----|------------|--------------|-----|
| PBH092 | 61 | 75 | 8490 | 6320 | 74 | 8040 | 6100 | 76 | 7550 | 5860 | 78 | 7055 | 5620 | 80 |
| | | 80 | 8425 | 7375 | 88 | 7985 | 7145 | 89 | 7515 | 6905 | 92 | 7010 | 6990 | 100 |
| | | 85 | 8485 | 8485 | 100 | 8120 | 8120 | 100 | 7725 | 7725 | 100 | 7305 | 7305 | 100 |
| | 67 | 75 | 9620 | 5105 | 53 | 9160 | 4975 | 54 | 8560 | 4700 | 55 | 7985 | 4600 | 58 |
| | | 80 | 9505 | 6090 | 64 | 9000 | 5860 | 65 | 8450 | 5685 | 67 | 7875 | 5370 | 68 |
| | | 85 | 9345 | 7285 | 78 | 8910 | 7145 | 80 | 8295 | 6870 | 83 | 7720 | 6600 | 85 |
| | 73 | 75 | 10810 | 3875 | 36 | 10250 | 3665 | 36 | 9650 | 3445 | 36 | 9035 | 3220 | 36 |
| | | 80 | 10680 | 4905 | 46 | 10120 | 4695 | 46 | 9515 | 4475 | 47 | 8890 | 4250 | 48 |
| | | 85 | 10545 | 5930 | 56 | 9975 | 5720 | 57 | 9365 | 5500 | 59 | 8735 | 5275 | 60 |

PERFORMANCE DATA

PBH***E00AX

PBH "E" MODEL 230V

OUTDOOR TEMP

| MODEL | ID WB ENT | ID DB ENT | TOTAL BTUH | SEN BTUH 85 | SHR | TOTAL BTUH | SEN BTUH 95 | SHR | TOTAL BTUH | SEN BTUH 105 | SHR | TOTAL BTUH | SEN BTUH 115 | SHR |
|--------|-----------|-----------|------------|-------------|-------|------------|-------------|-------|------------|--------------|-------|------------|--------------|-----|
| PBH093 | 61 | 75 | 8490 | 6320 | 74 | 8040 | 6100 | 76 | 7550 | 5860 | 78 | 7055 | 5620 | 80 |
| | | 80 | 8425 | 7375 | 88 | 7985 | 7145 | 89 | 7515 | 6905 | 92 | 7010 | 6990 | 100 |
| | | 85 | 8485 | 8485 | 100 | 8120 | 8120 | 100 | 7725 | 7725 | 100 | 7305 | 7305 | 100 |
| | 67 | 75 | 9620 | 5105 | 53 | 9160 | 4975 | 54 | 8560 | 4700 | 55 | 7985 | 4600 | 58 |
| | | 80 | 9505 | 6090 | 64 | 9000 | 5860 | 65 | 8450 | 5685 | 67 | 7875 | 5370 | 68 |
| | | 85 | 9345 | 7285 | 78 | 8910 | 7145 | 80 | 8295 | 6870 | 83 | 7720 | 6600 | 85 |
| PBH123 | 61 | 75 | 10810 | 3875 | 36 | 10250 | 3665 | 36 | 9650 | 3445 | 36 | 9035 | 3220 | 36 |
| | | 80 | 10680 | 4905 | 46 | 10120 | 4695 | 46 | 9515 | 4475 | 47 | 8890 | 4250 | 48 |
| | | 85 | 10545 | 5930 | 56 | 9975 | 5720 | 57 | 9365 | 5500 | 59 | 8735 | 5275 | 60 |
| | 67 | 75 | 10890 | 8450 | 78 | 10265 | 8155 | 79 | 9560 | 7830 | 82 | 8720 | 7450 | 85 |
| | | 80 | 10850 | 9880 | 91 | 10230 | 9575 | 94 | 9500 | 9225 | 97 | 8825 | 8825 | 100 |
| | | 85 | 11120 | 11120 | 100 | 10605 | 10605 | 100 | 9970 | 9970 | 100 | 9300 | 9300 | 100 |
| 73 | 75 | 12335 | 6720 | 54 | 11790 | 6490 | 55 | 10940 | 6140 | 56 | 10100 | 5800 | 57 | |
| | 80 | 12200 | 8080 | 66 | 11500 | 7785 | 68 | 10745 | 7480 | 70 | 9870 | 7160 | 73 | |
| | 85 | 12000 | 9500 | 79 | 11405 | 9255 | 81 | 10545 | 8930 | 85 | 9660 | 8600 | 89 | |
| 73 | 75 | 13930 | 4945 | 35 | 13170 | 4660 | 35 | 12400 | 4380 | 35 | 11525 | 4070 | 35 | |
| | 80 | 13760 | 6345 | 46 | 12995 | 6065 | 47 | 12210 | 5780 | 47 | 11240 | 5440 | 48 | |
| | 85 | 13580 | 7750 | 57 | 12830 | 7575 | 58 | 11950 | 7190 | 60 | 10975 | 6820 | 62 | |

PERFORMANCE DATA

PBH***E00AX

PBH "E" MODEL 208V

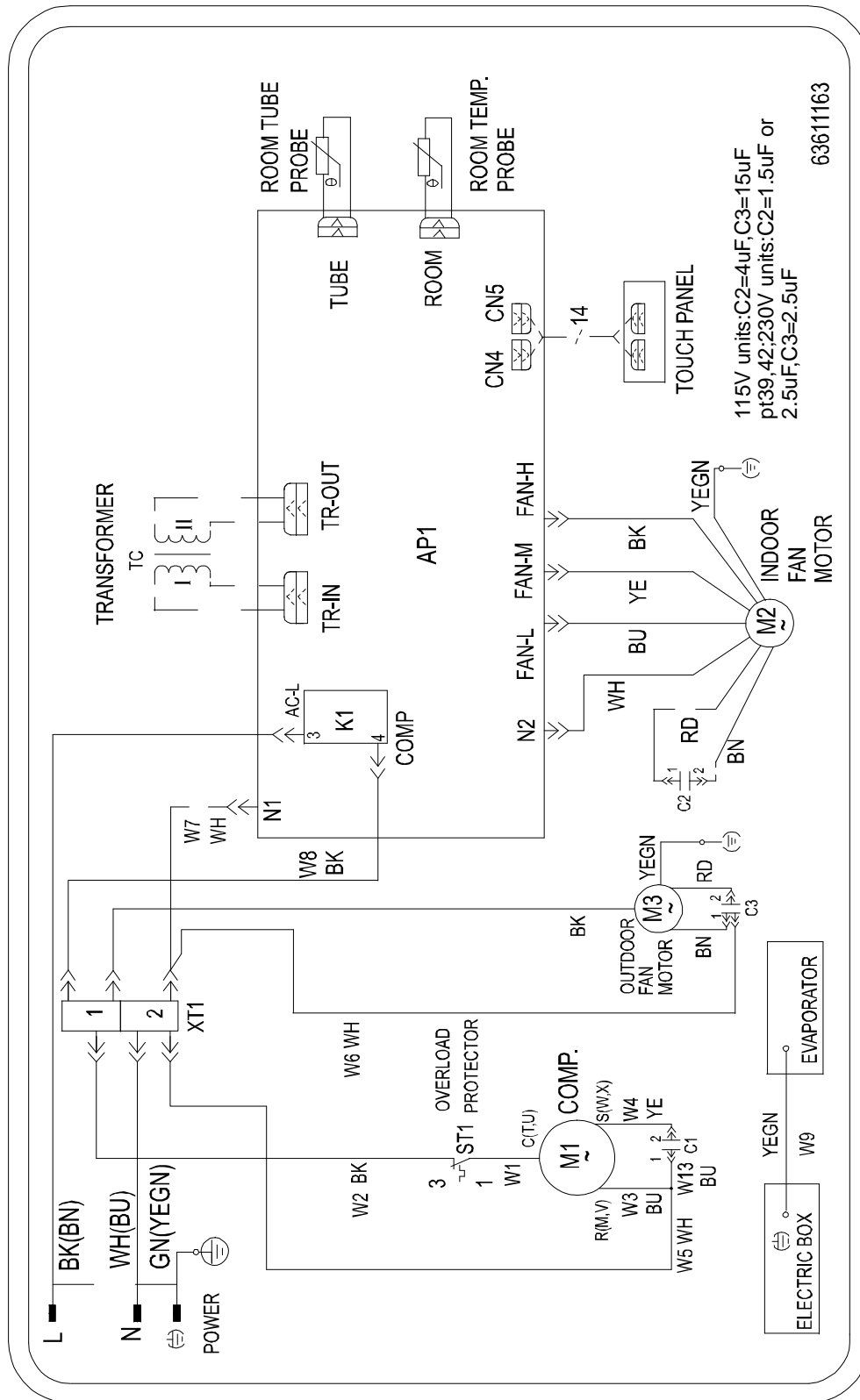
| MODEL | ID WB ENT | ID DB ENT | TOTAL BTUH | SEN BTUH 85 | SHR | TOTAL BTUH | SEN BTUH 95 | SHR | TOTAL BTUH | SEN BTUH 105 | SHR | TOTAL BTUH | SEN BTUH 115 | SHR |
|--------|-----------|-----------|------------|-------------|-------|------------|-------------|-------|------------|--------------|-------|------------|--------------|-----|
| PBH093 | 61 | 75 | 8190 | 6020 | 74 | 7740 | 5800 | 75 | 7250 | 5560 | 77 | 6755 | 5320 | 79 |
| | | 80 | 8125 | 7075 | 87 | 7685 | 6845 | 89 | 7215 | 6605 | 92 | 6710 | 6690 | 100 |
| | | 85 | 8185 | 8185 | 100 | 7820 | 7820 | 100 | 7425 | 7425 | 100 | 7005 | 7005 | 100 |
| | 67 | 75 | 9320 | 4805 | 52 | 8860 | 4675 | 53 | 8260 | 4400 | 53 | 7685 | 4300 | 56 |
| | | 80 | 9205 | 5790 | 63 | 8700 | 5560 | 64 | 8150 | 5385 | 66 | 7575 | 5070 | 67 |
| | | 85 | 9045 | 6985 | 77 | 8610 | 6845 | 80 | 7995 | 6570 | 82 | 7420 | 6300 | 85 |
| 73 | 75 | 10510 | 3575 | 34 | 9950 | 3365 | 34 | 9350 | 3145 | 34 | 8735 | 2920 | 33 | |
| | 80 | 10380 | 4605 | 44 | 9820 | 4395 | 45 | 9215 | 4175 | 45 | 8590 | 3950 | 46 | |
| | 85 | 10245 | 5630 | 55 | 9675 | 5420 | 56 | 9065 | 5200 | 57 | 8435 | 4975 | 59 | |
| PBH123 | 61 | 75 | 10490 | 8050 | 77 | 9865 | 7755 | 79 | 9160 | 7430 | 81 | 8320 | 7050 | 85 |
| | | 80 | 10450 | 9480 | 91 | 9830 | 9175 | 93 | 9100 | 8825 | 97 | 8425 | 8425 | 100 |
| | | 85 | 10720 | 10720 | 100 | 10200 | 10205 | 100 | 9570 | 9570 | 100 | 8900 | 8900 | 100 |
| | 67 | 75 | 11935 | 6320 | 53 | 11390 | 6090 | 53 | 10540 | 5740 | 54 | 9700 | 5400 | 56 |
| | | 80 | 11800 | 7680 | 65 | 11100 | 7385 | 67 | 10345 | 7080 | 68 | 9470 | 6760 | 71 |
| | | 85 | 11600 | 9100 | 78 | 11005 | 8855 | 80 | 10145 | 8530 | 84 | 9260 | 8200 | 89 |
| 73 | 75 | 13530 | 4545 | 34 | 12770 | 4260 | 33 | 12000 | 3980 | 33 | 11125 | 3670 | 33 | |
| | 80 | 13360 | 5945 | 45 | 12595 | 5665 | 45 | 11810 | 5380 | 46 | 10840 | 5040 | 46 | |
| | 85 | 13180 | 7350 | 56 | 12430 | 7075 | 57 | 11550 | 6790 | 59 | 10575 | 6420 | 61 | |



WARNING

HIGH VOLTAGE!
 DISCONNECT ALL POWER BEFORE SERVICING OR INSTALLING THIS UNIT. MULTIPLE POWER SOURCES MAY BE PRESENT. FAILURE TO DO SO MAY CAUSE PROPERTY DAMAGE, PERSONAL INJURY OR DEATH.

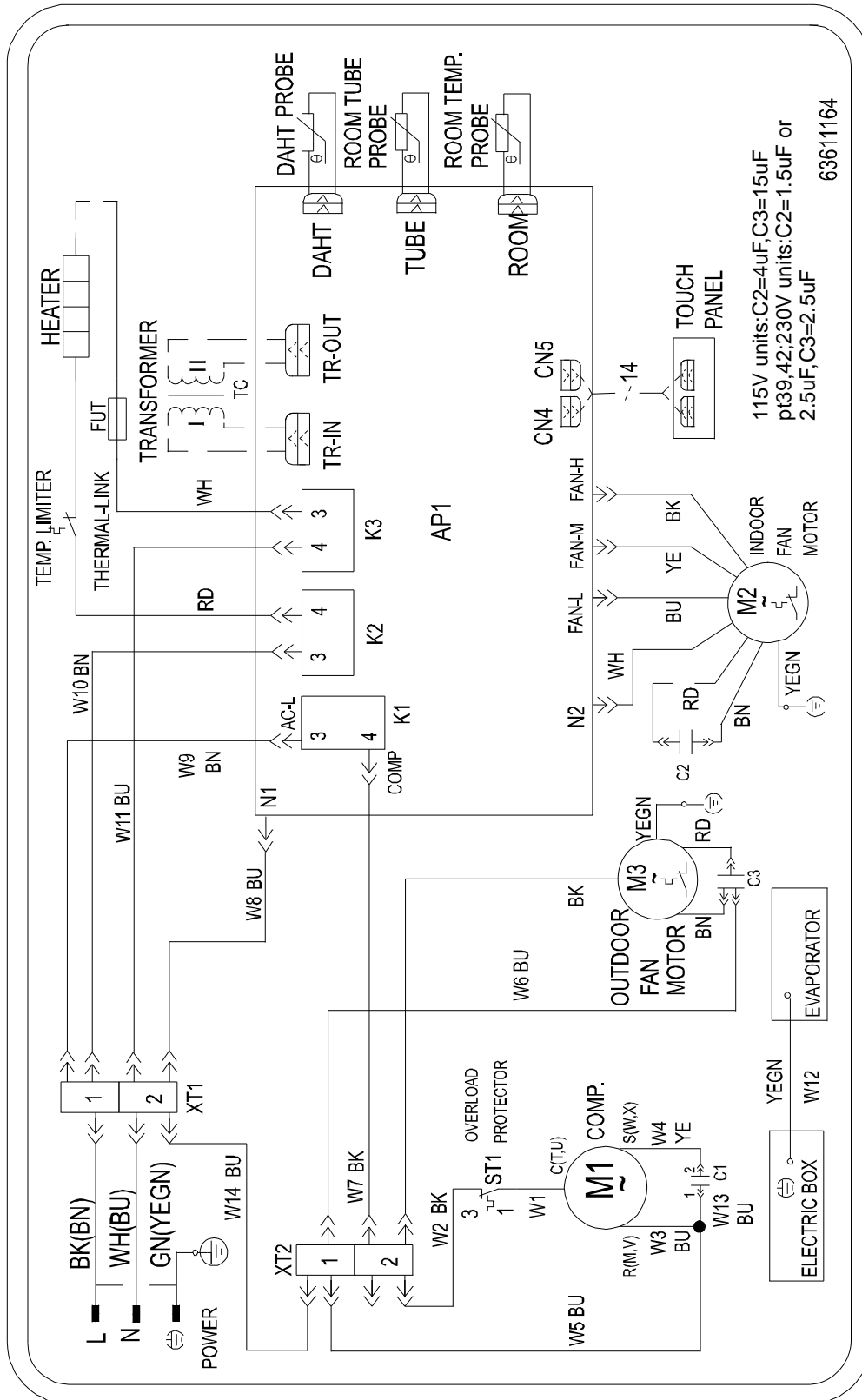




Wiring is subject to change, always refer to the wiring diagram on the unit for the most up-to-date wiring.

WARNING

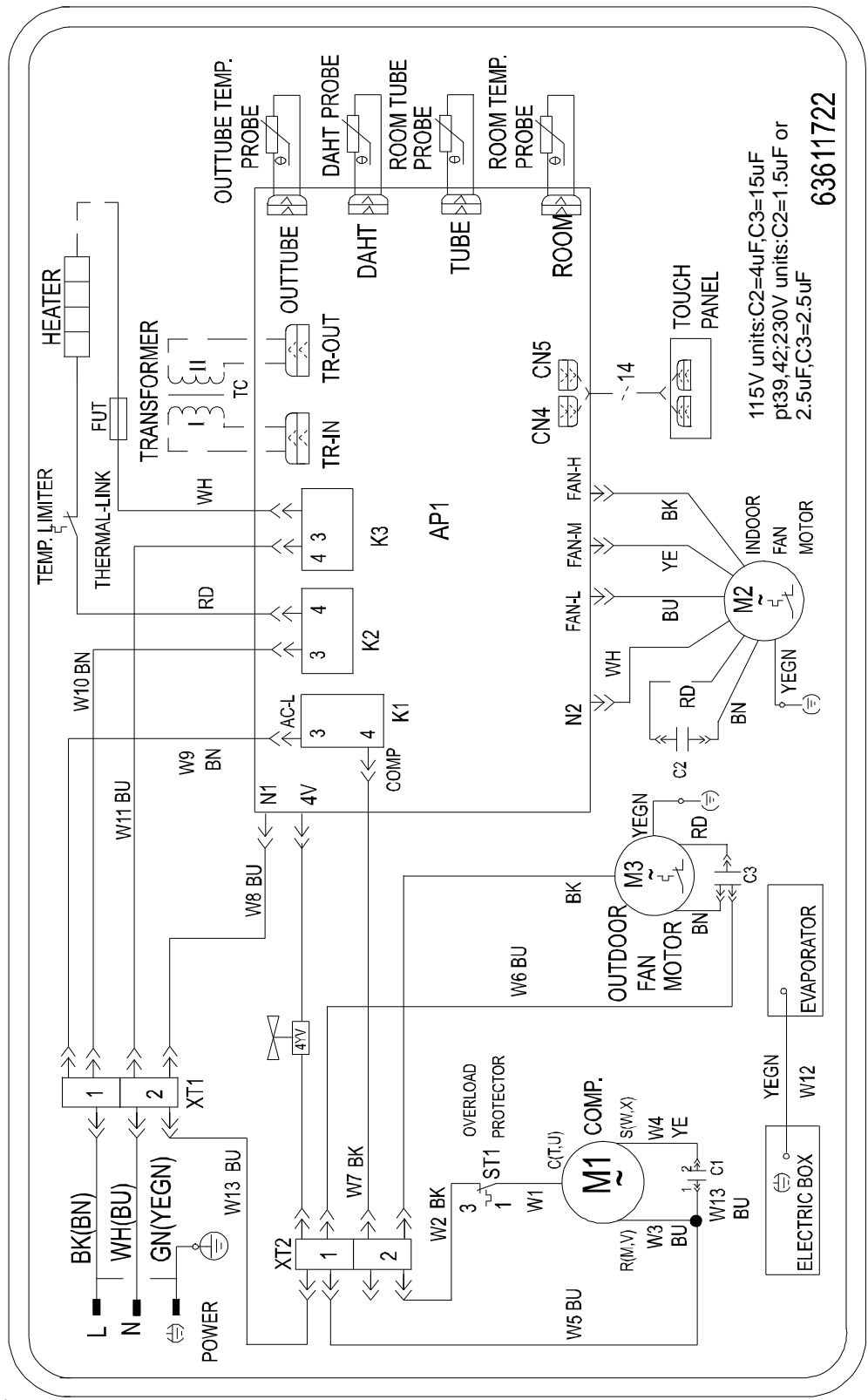
HIGH VOLTAGE!
 DISCONNECT ALL POWER BEFORE SERVICING OR INSTALLING THIS UNIT. MULTIPLE POWER SOURCES MAY BE PRESENT. FAILURE TO DO SO MAY CAUSE PROPERTY DAMAGE, PERSONAL INJURY OR DEATH.



Wiring is subject to change, always refer to the wiring diagram on the unit for the most up-to-date wiring.

WARNING

HIGH VOLTAGE!
DISCONNECT ALL POWER BEFORE SERVICING OR INSTALLING THIS UNIT. MULTIPLE POWER SOURCES MAY BE PRESENT. FAILURE TO DO SO MAY CAUSE PROPERTY DAMAGE, PERSONAL INJURY OR DEATH.



Wiring is subject to change, always refer to the wiring diagram on the unit for the most up-to-date wiring.

TROUBLESHOOTING

| CODE | | STATUS | CORRECTIVE ACTION |
|------|----|--|--------------------------------------|
| 1 | F1 | Outdoor ambient thermostat not registering on the board. | Replace or re-connect the thermostat |
| 2 | F2 | Outdoor ambient thermostat not registering on the board. | Replace or re-connect the thermostat |
| 3 | F4 | Outdoor coil thermostat not registering on the board | Replace or re-connect the thermostat |
| 4 | FJ | Indoor discharge thermostat not registering on the board | Replace or re-connect the thermostat |