

English

**AKAI**

**Operator's manual**

**Portable Air Conditioner**

**AC-ZP112**



1-23

## Table of Contents

1.	Accessories -----	1
2.	Introduction-----	2
3.	Working Principle-----	3
4.	Technical Specification-----	4
5.	Structure-----	5
6.	Operation-----	6
7.	Maintenance-----	15
8.	Trouble Shooting-----	18
9.	Safety Cautions-----	19
10.	Special Guide Line-----	20
11.	After Sale Service-----	21
12.	Electric Circuit Drawing-----	22

Notice: Any maintenance should be returned to the dealer or factory!

Attention: Please read this instruction carefully before use.

## Accessories

1	inner air exhaust adaptor -----	1 pc
2	air exhaust duct -----	1 pc
3	adaptor -----	1 pc
4	mounting duct -----	1 pc
5	window kit -----	1 pc
6	cap cover -----	1 pc
7	remote controller -----	1 pc
8	instruction manual -----	1 pc
9	water plate -----	1 pc

## Introduction

This mobile air conditioner is a new generation air conditioner which is ideal for using in bedroom, study room, lobby, office, meeting room, warehouse attics, sports hall and other entertainment room. Its flexibility characteristic enables easy adjustments to desirable room temperature and humidity. Besides, the built-in filter can remove floating dust, purify air to create a healthy working environment.

It is designed under "novelty, practicality and convenience" principles to satisfy the needs for convenient, efficient and mobile small size air conditioner. The part makes the cooling special obvious. It features easy using, no need for installation and convenient maintenance.

The unit is highly competitive to other cooler capable products. With tidy structure, multiple functions and reasonable ventilation design, the unit minimizes noise and power consumption.

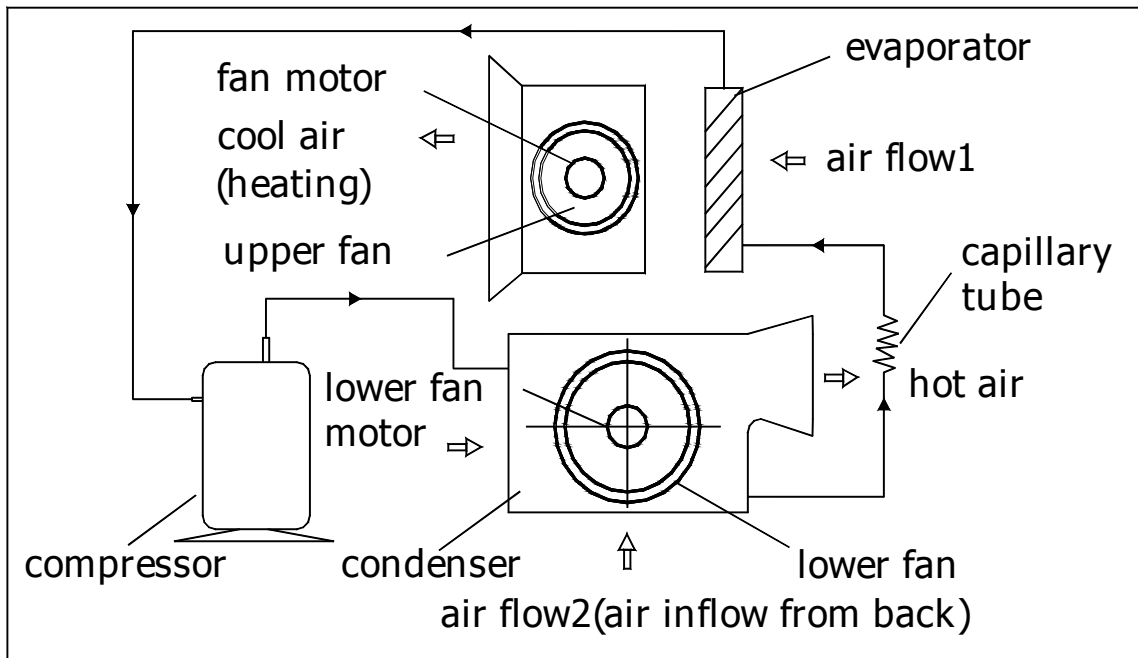
Thank you for choosing our mobile air conditioner.

This instruction manual is for reference only and does not constitute a contract.

We reserve the right to technical change without prior notice

## Working Principle

Refrigerant with low temperature and low pressure is compressed by the compressor to high temperature and high pressure vapour, then cools in the condenser (This is a forced air cooling process: room air passes condenser surface, absorbs the refrigerant's heat in the condenser by heat exchange, then the room air warms up and the warm air is exhausted through the air exhaust duct,) to become high pressure liquid. The liquid flows through capillary tube to lower its pressure to become low temperature low pressure liquid. After absorbing the heat of air in the surface of evaporator (A forced air cooling process too: room air passes evaporator surface, its heat is absorbed by refrigerant in tube, it cools down and flows into room to lower the room temperature). The low temperature low pressure liquid is evaporated in the evaporator. The refrigerant becomes vapour and flows back to compressor. Then the refrigerant vapour is compressed in compressor again. Thus the room temperature is lowered by circulating this operation.



## Technical Specification

Unit specifications:

Model		AC-ZP112
Cooling Capacity ( Btu / h )		12000
Dehumidifying Capacity ( L / day )		24
Power consumption( W )		1200
Flow Volume (m <sup>3</sup> / h )		480
Sound pressure level dB(A)		≤55
Net Weight ( Kg )		33
Dimension	Body ( mm )	738*446*377
	Package ( mm )	860*460*450
Refrigerant		R407C

Note:

1. The above cooling capacity measured at ambient temperature Db 27°C/19°C  
Wb 27°C/19°C. (indoor and outdoor , the same)

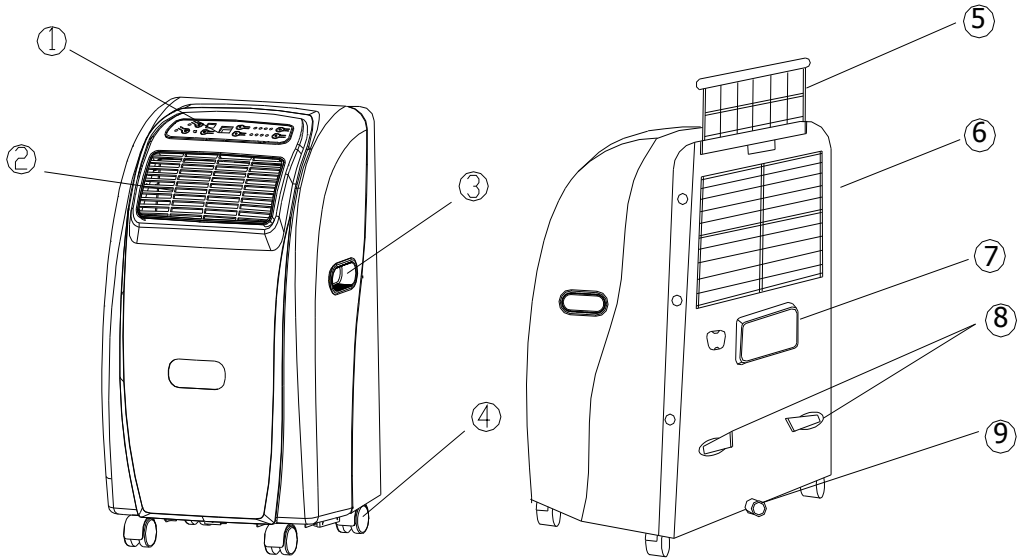
Db means Dry Bulb ( that is testing in dry environment)

Wb means Wet Bulb ( that is testing in wet environment)

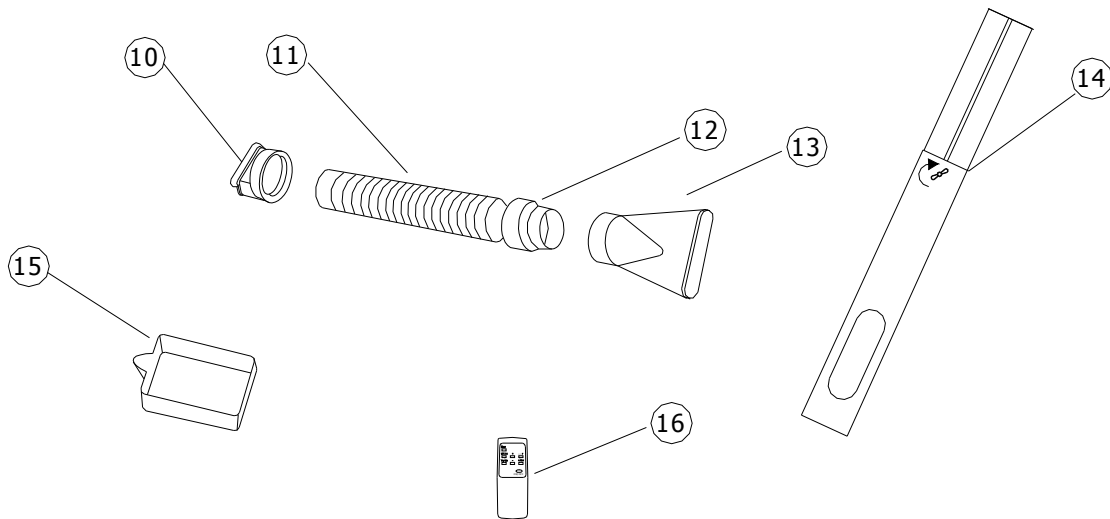
2. Noise level is measured at the point where 1.0 meter away from the front of the machine. In cooling mode.
3. Air exhaust duct tore down, pump work, fan power consumption is measured when fan runs at highest speed.
4. Specification listed above is for reference only. Please see actual data printed on the label.

## Structure

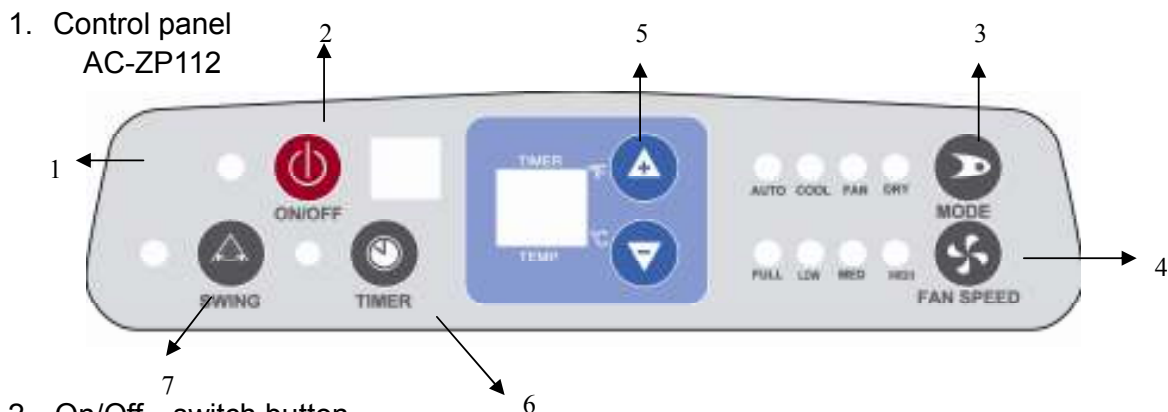
1. Control panel    2. Air outlet    3. Handle    4. Caster    5. Air filter  
6. Air inlet    7. Exhaust air outlet    8. Cord Hanger    9. Water stopper



10. Inner air exhaust adaptor-connect with air exhaust duct (11) and exhaust air outlet (7)    11. Air exhaust duct    12. Adaptor    13. Mounting Duct    14. Window kit  
15. Water plate    16. Remote controller



## Operation



1. Control panel  
AC-ZP112

2. On/Off switch button

Press On/Off button once the power is on, the unit will run at auto mode.  
Press On/Off button while the unit is running, the unit stops, and timer setting is canceled, other information (mode, set temp, and fan speed) remain in the machine.

3. Mode button

Press Mode button, unit run mode will change at sequence of: AUTO, COOL,, DEHUMIDIFY and To should of the LED light is bright.

4. FAN SPEED button

Press SPEED button, unit run mode will change in sequence of: HIGH, MID, LOW and to should of the LED light is bright.

5. TEMP UP, DOWN button

Press TEMP button to adjust desired room temperature and it will display in LED window correspondingly, the temperature adjustment range is 15°C--31°C (60-90° F) . When unit is setting at AUTO running mode, the default cooling temperature is 23°C (68° F) .  
Press the TEMP UP、DOWN button at the same time, the temperature display will be shown between °C and ° F.

6. TIMER button

TIMER OFF:

When unit under running mode, press timer button to set desire OFF time, time set from 0.5 hour to 12 hours, the timer setting will display in LED window correspondingly

TIMER ON:

When unit is ready, press TIMER button to set desire ON time, time set from 0.5 hour to 12 hours, the timer setting will display in LED window correspondingly

7. SWING button

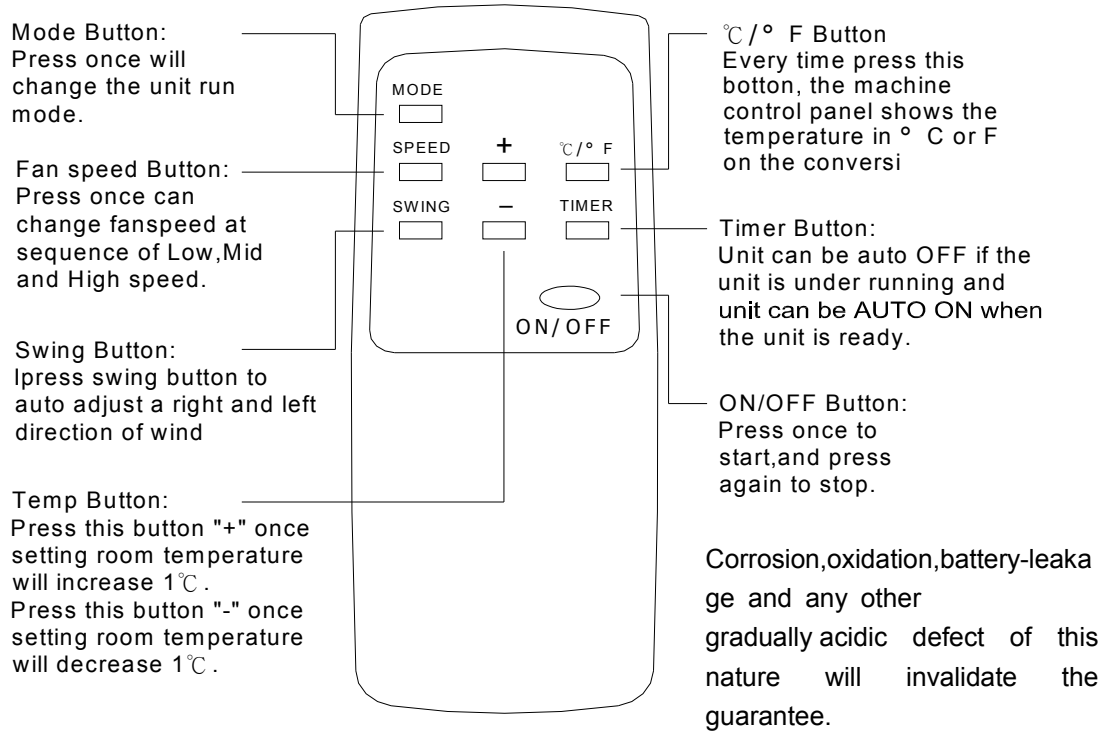
When unit under running mode, press swing button to auto adjust a right and left direction of wind.



## Operation

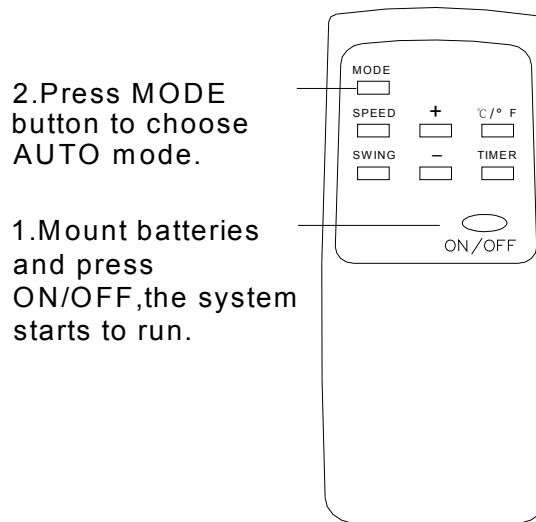
### Remote control:

Please point the controller transmission section to the signal receiver on the unit panel. Indicator lights on the machine control panel can display AUTO, COOLING, FAN, DEHUMIDIFYING, SPEED, TEMPERATURE, TIMER etc information.



### Remote control (Auto mode)

The microprocessors control the compressor and fan motor on or off according To the room temperature to keep the room comfortable. Please notice the anode and cathode while mounting the batteries.



## Operation

### Remote control (cooling mode)

Setting temperature range 15°C—31°C (60-90° F) .

When the room temperature sensor's temperature is higher than the set temperature, the compressor starts to run.

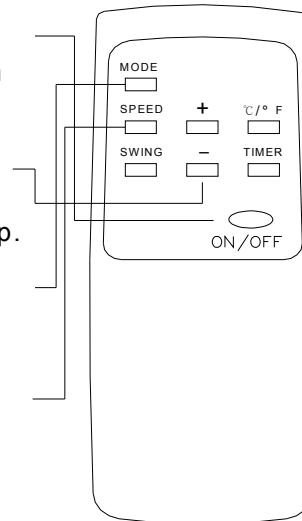
When the room temperature sensor's temperature is lower than the set temperature, the compressor stops and fan operates at original speed.

1. Press ON/OFF button, the system starts to run.

2. Press Temp button to set the desired room temp.

3. Press MODE button, choose cooling mode.

4. Press SPEED button, set fan speed.

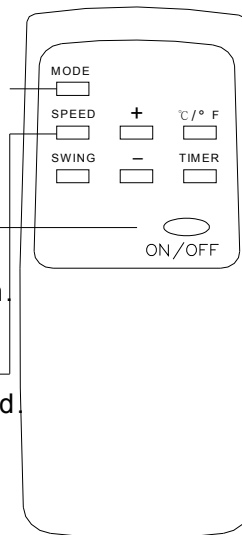


### Remote control (Fan mode)

2. Press MODE button, choose Fan mode.

1. Press ON/OFF button, the system starts to run.

3. Press Speed button, choose desire fan speed.



Fan mode: the compressor and lower fan motor stop, upper fan run at set speed, in this case, temperature setting becomes invalid.

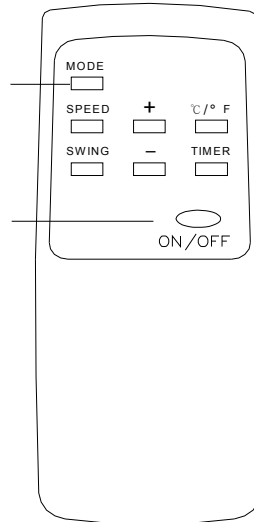
## Operation

### Remote control (dehumidifying mode)

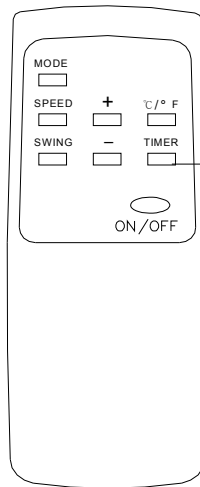
Dehumidifying mode: the compressor and lower fan are running and the upper fan is running at low speed.

2. Press MODE button to choose DEHUMIDIFYING mode.

1. Mount batteries and press ON/OFF, the system starts to run.



### Remote control (Timer)



1. While the unit is under running, press Timer button to set unit auto OFF time.

2. Press Timer button once, set auto OFF time will change 0.5 hour from 0.5 hour to 12 hours.

3. When set auto OFF time at 12 hours, press Timer button once more, set OFF time will be canceled.

4. When the unit is not under running, press Timer button to set auto ON time.

5. press timer button once, set auto OFF timer will change 0.5 hour to 12 hours

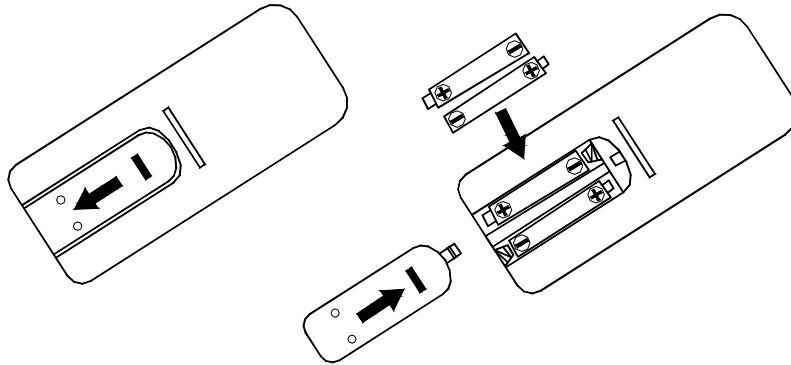
6. when set auto ON timer at 12 hours, press timer button once more, set ON time will be canceled.

The unit must connect with power supply to start to set auto ON.

## Battery Operation

Please notice the anode and cathode while mounting the batteries.  
We suggest using alkaline batteries.

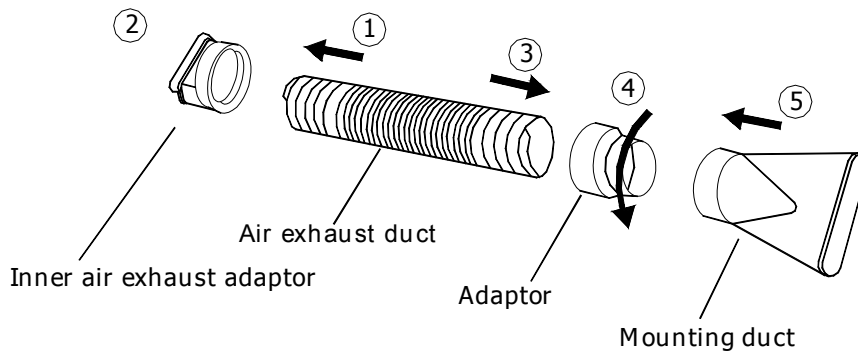
If the battery is to be replaced or thrown away, the batteries must be removed and disposed of in accordance with the current laws as it represents an environmental hazard.



### Remote control inserting the batteries

1. slide the cover as shown in figure.
2. insert two new non-rechargeable batteries, being careful to place them in the correct position(+) and (-).
3. put the cover back on, letting it slide into its original position.
4. the display will show all of the remote control's symbols for several seconds.

### The operation of Air exhaust duct assembling



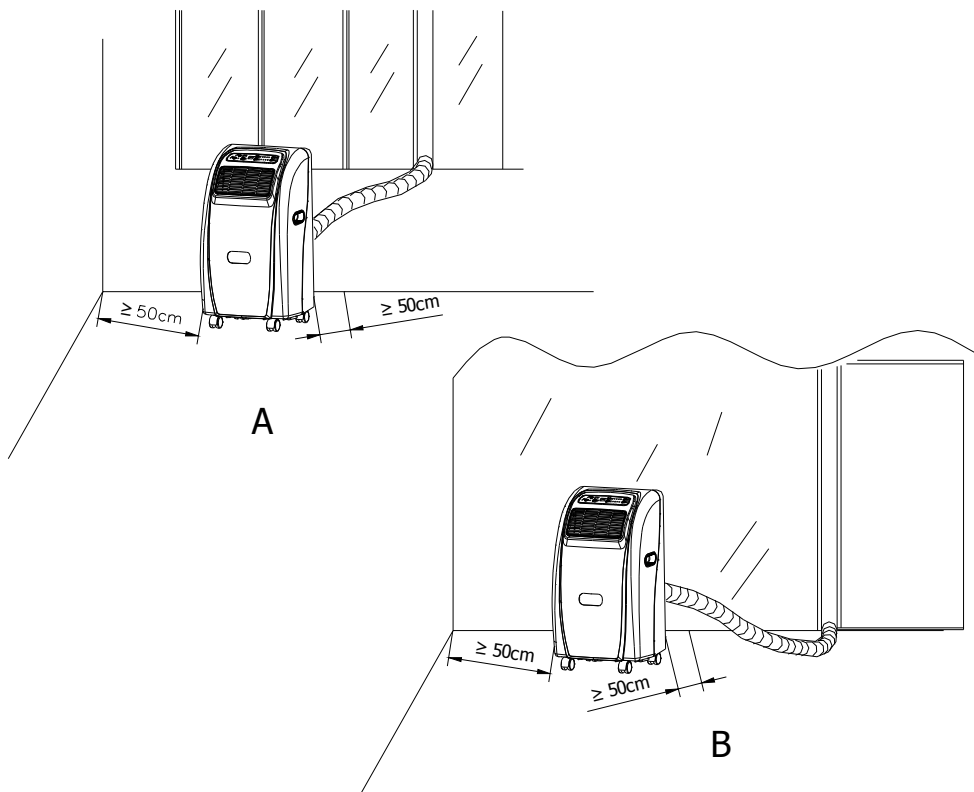
## Operation

### Air exhaust duct

The unit is called mobile air conditioner, it is movable from one room to another conveniently. You can use the following method to exhaust the hot air.

#### 1. exhaust heat from window (see figure A)

Open window for a small angle to put bend mounting duct and fit it on the window.



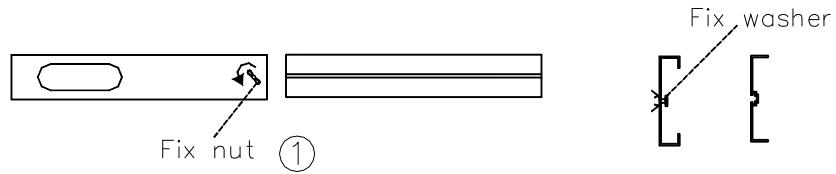
#### 2. exhaust hot air from the door (see figure B)

Open door to an appropriate angle to fit air exhaust duct outside. For the wide open using, air exhaust duct can put on ground directly. When not

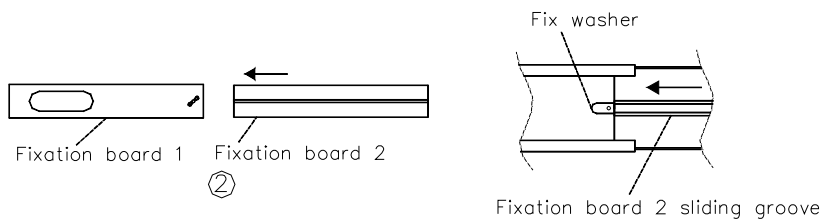
Using the unit, unassembled air exhaust duct from unit and store it carefully

## Operation

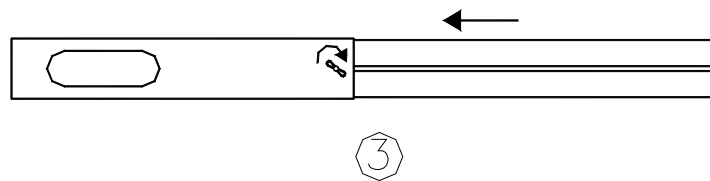
Window kit installation (Take the example with three parts of tracks.)



1. Loose nut anti clockwise and unscrew such as Fig 1.



2. adjust the washer on board 1 at the sliding groove on board 2, and then insert the fixation board 2 in the fixation board 1 such as fig.2



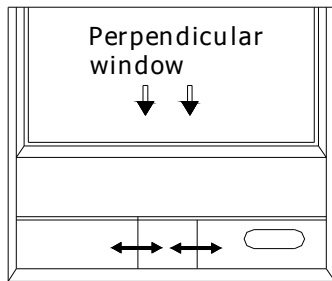
3. adjust according to own window size and fix nut on the fixation board 1 clockwise such as fig.3

## Operation

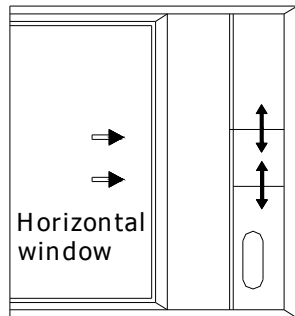
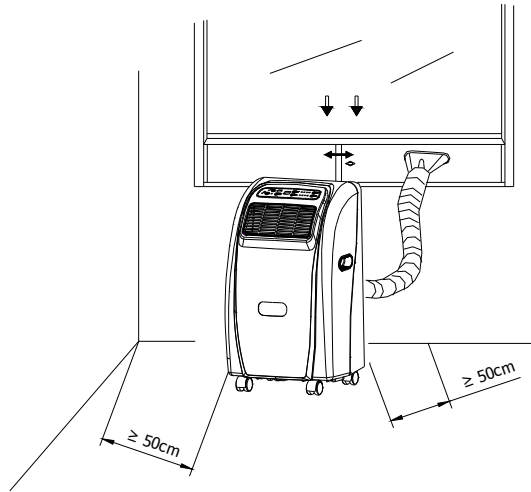
### Window kit installation

Your window kit has been designed to fit most standard “vertical” and “Horizontal” window applications. However, it may be necessary for you to improve/modify some aspects of the installation procedures for certain types of window. (Take the example with three parts of tracks.)

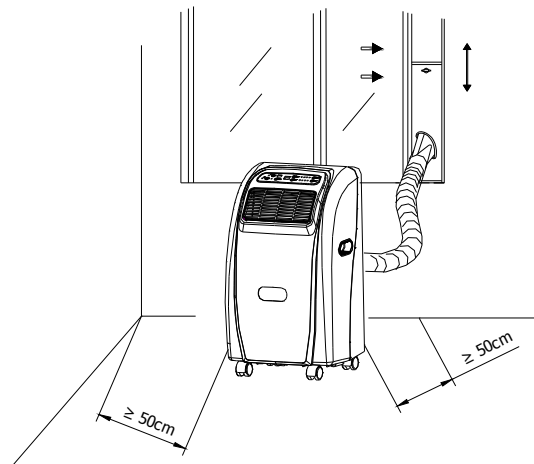
Please refer to see the figures for minimum and maximum window openings.



Window Slider Kit  
Minimum:58cm  
Maximum:162cm



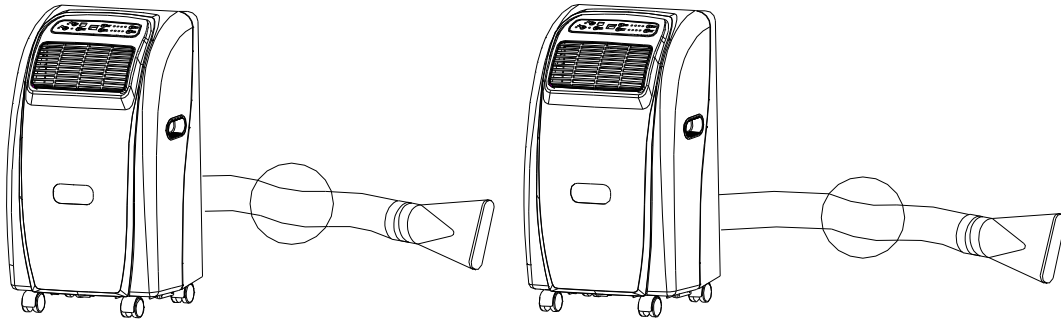
Window Slider Kit  
Minimum:58cm  
Maximum:162cm



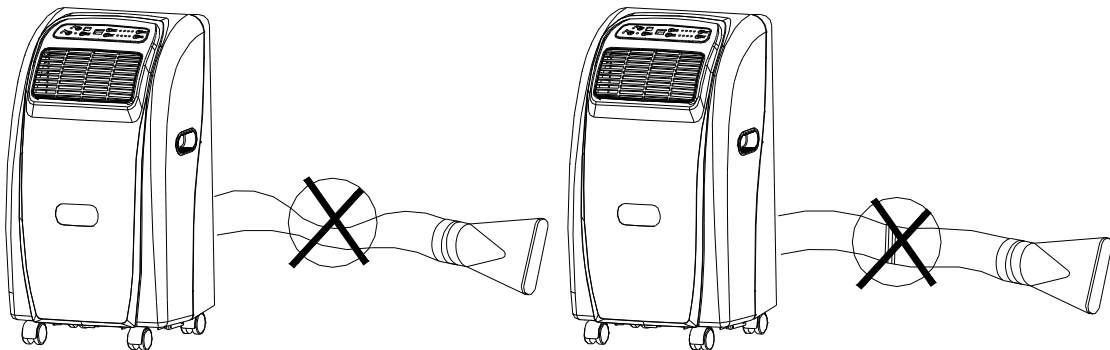
## Operation

### Air exhaust duct connection

1. air exhaust duct can be extended from 0.5 to 1.5 meters, the unit works more efficiently while the air exhaust duct is shorter.



2. please make sure the air exhaust duct is not distorted, or flow back the hot air to increase the temperature of the body. If so, the unit will stop running automatically



3. please make sure not to use other type of air exhaust duct, or over extend the exhaust duct. Otherwise the unit working efficiency will decrease.

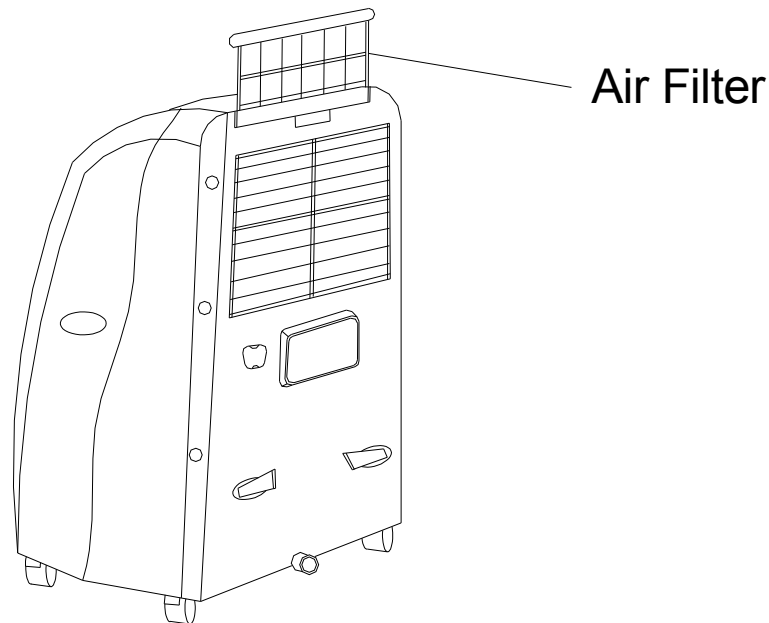


## Maintenance

Turn off the unit before cleaning, make sure all sockets are pulled out.  
Do not use chemical solvent (like benzene) to clean the unit surface, or the unit surface will be easily scratched, damaged, even casing could be deformed. If the air filter is blocked with dust, the airflow volume will decrease. It is better to clean the filter for every two months

Open the air filter

Take out the air filter cover from back air inflow vent.



Clean:

Wash the air filter gently with warm water, with a neutral detergent, and dry it thoroughly in a shaded place.

Mounting:

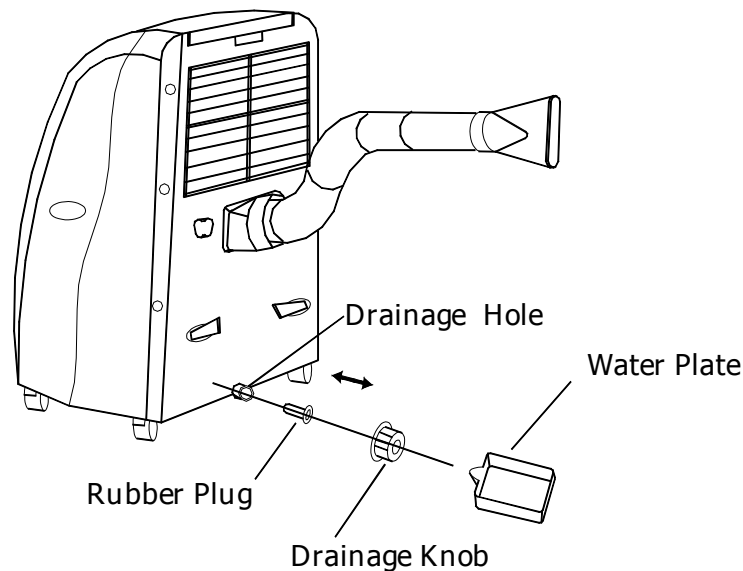
Insert the air filter cover into air flow vent

Clean the unit surface by using little damp soft cloth, then dry it with a duster.

## Maintenance

### Drainage:

When unit running in cooling mode, mostly the water can be drained out through the exhausted hose, however, if the environment is too humid, condensed water can not completely be drained out by this way. In this case, we need to drain the water. While water tray is full, error code “E4” will appear in display, meanwhile, the cooling mode will stop running automatically, and fan will stop in 3 minutes accordingly as well. If want to start cooling mode, please use the following way to empty the water



### A. water plate drainage

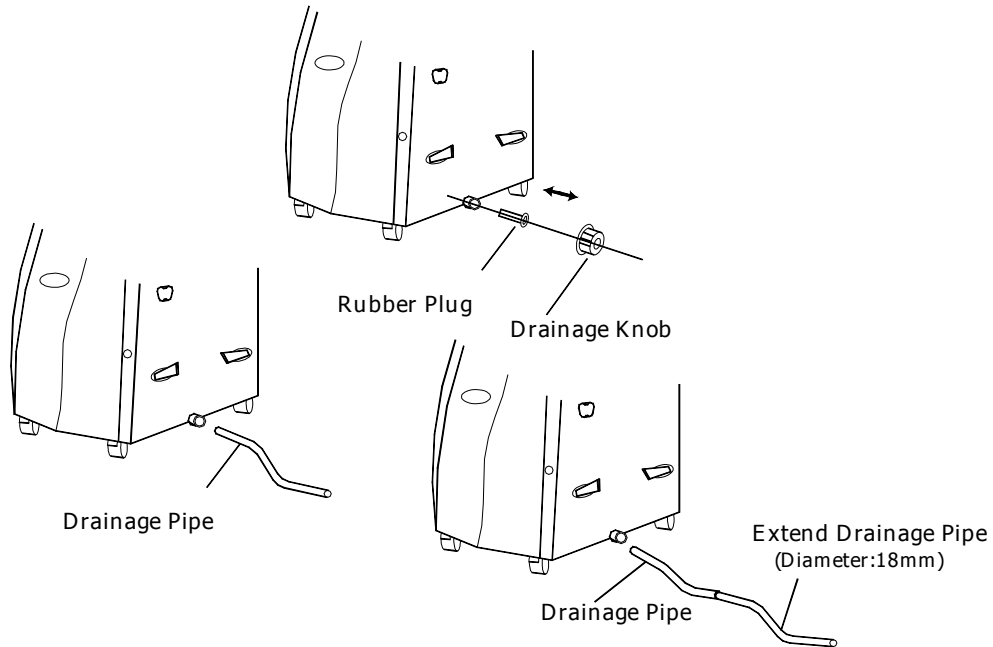
1. turn off the unit
2. horizontally place water plate underneath drainage hole;
3. disconnect drainpipe through drainage knob and rubber plug, water will automatically flow out;
4. when the water is empty, push rubber plug back to the drainage hole;
5. connect drainage pipe by spinning the knob;
6. restart the unit

Normally it is no need to drain the water because the unit has the water pump to pump the condensed water from the water tray onto the condenser to evaporate the water unless the air is too humid.

## Maintenance

### B. Connect drainage

1. disconnect drainage knob and the rubber plug;
2. connect supplied drainage pipe to drainage hole, water will flow out automatically;
3. if you want to extend drainage pipe, you can use 18mm(diameter) plastic pipe and connect with the drainage pipe.



### Important notice

1. in order to extend the life of the product, please drain all the condensed water while not use the unit for some time;
2. the unit adapts auto drainage system; please pay attention the signals on display when the air is too humid. (above 90% humidity)

## Trouble shooting

Before asking for repair, please check:

PROBLEMS	CAUSES	SUGGEST SOLUTIONS
The unit does not work	Power supply fault: 1. Not plug in; 2. Bad plug or socket; 3. Fuse broken or wire broken;	1. Plug in correctly; 2. Change the plug or the socket; 3. Send the unit to service center to change the fuse ;( fuse: 3.15A 250V )
The unit stop running automatically	Timer is set or room temperature is lower than set temperature;	Close the TIMER or wait for it to run automatically;
In cooling mode, no cool air coming out;	Room temperature is lower than set temperature;	Make the setting temperature lower than the room temperature; if it still does not work, call the local technician for repairing
Error code "E1" in LED window	Environment temperature sensor is broken.	Replace the temperature sensor
Error code "E2" in LED window	temperature sensor on the evaporator is broken	Replace the sensor
Error code "E3" in LED window	Cooling system malfunction caused by the lack of refrigerant	Contact the local repairing technician directly
Error code "E4" in LED window the red FULL light is bright	Water tray is full in the heating mode, but the unit is still working	Empty water in water plate

## Safety Cautions

1. Do not use unit near gas appliance, fires or in the vicinity of flammable liquids.
2. Do not let children put their fingers into the air outlet to avoid danger.
3. Do not incline the unit more than 35° while moving the unit.
4. Do not beat or extrude unit to prevent unit broken, do not vibrate the unit.
5. Keep the unit two meters away from TV sets or radios to avoid the risk of electromagnetic interface.
6. Do not use unit with the air outlet too close to walls or cover the outlet to avoid overheating.
7. Do not use the unit in a very crowded room.
8. Do not use the unit directly under sunshine to avoid surface color fading.
9. Do not use the unit in water or near water to avoid leakage of electricity.
10. If the supply cord is damaged, it must be replaced by the manufacturer or its service agent or similar qualified person in order to avoid a hazard.
11. when the room temperature is higher than 25 degrees, it is better not to use the heating function.

## Special Guide Line

1. Do not incline the unit more than 5° degree, if so, please turn off power supply immediately and ask for advice from your local dealer.
2. Do not spray insecticide or other chemicals to avoid deformation of plastic case.
3. The unit, due to its moving feature, it can be moved from room to room and it is different from window type or split type air conditioner. If the unit cannot cool down the room temperature efficiently, it is not the unit's quality problem. The unit can only work efficiently in certain room area. ( see technical specification )
4. In order to prolong the unit's lifetime, please empty the water completely in the water tray at the bottom of the unit while the unit is not going to use for a long period of time.
5. The unit can drain water automatically. It is not necessary to use the hose to drain the water under the cooling mode because the condenser can evaporate the water.
6. when turning "on" or "off" the unit under the heating mode, some noise of airflow inside the unit can be heard obviously, this is not a faulty problem, no need to repair.

## After Sale Service

When there are problems with the unit, please stop using it and ask for help from your local dealer or service center.

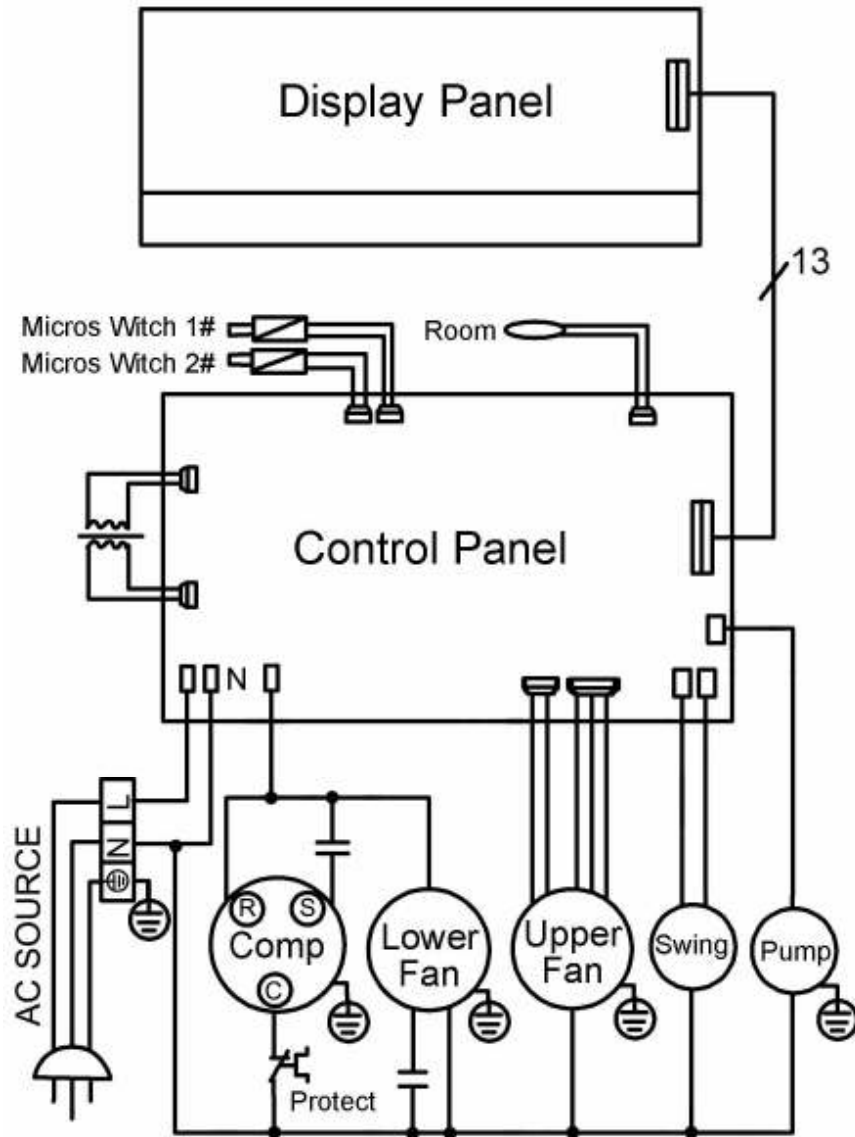
Maintenance:

After running for several seasons, there will be dust covered in the air filter.

This will reduce the airflow volume and influence the cooling efficiency of the unit. Please clean the air filter occasionally

Delete the rest message

## Electric Circuit Drawing





## Disposal of Used Electrical & Electronic Equipment



The meaning of the symbol on the product, its accessory or packaging indicates that this product shall not be treated as household waste. Please, dispose of this equipment at your applicable collection point for the recycling of electrical & electronic equipments waste. In the European Union and Other European countries which there are separate collection systems for used electrical and electronic product. By ensuring the correct disposal of this product, you will help prevent potentially hazardous to the environment and to human health, which could otherwise be caused by unsuitable waste handling of this product. The recycling of materials will help conserve natural resources. Please do not therefore dispose of your old electrical and electronic equipment with your household waste. For more detailed information about recycling of this product, please contact your local city office, your household waste disposal service or the shop where you purchased the product.

For more information and warranty conditions, please visit: [www.akai.eu](http://www.akai.eu)