



KRUPS

12-CUP PROGRAMMABLE COFFEE MACHINE
KM750850

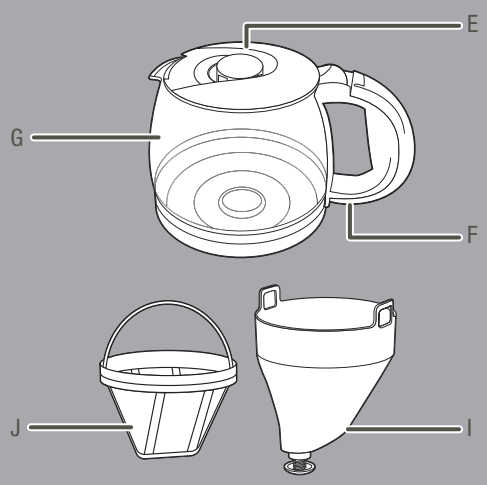
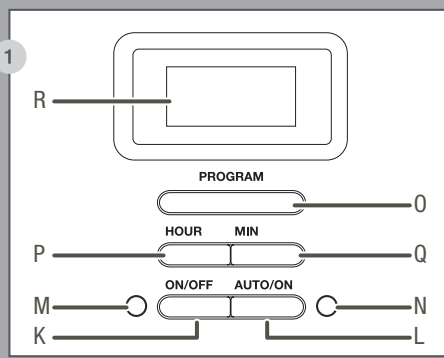
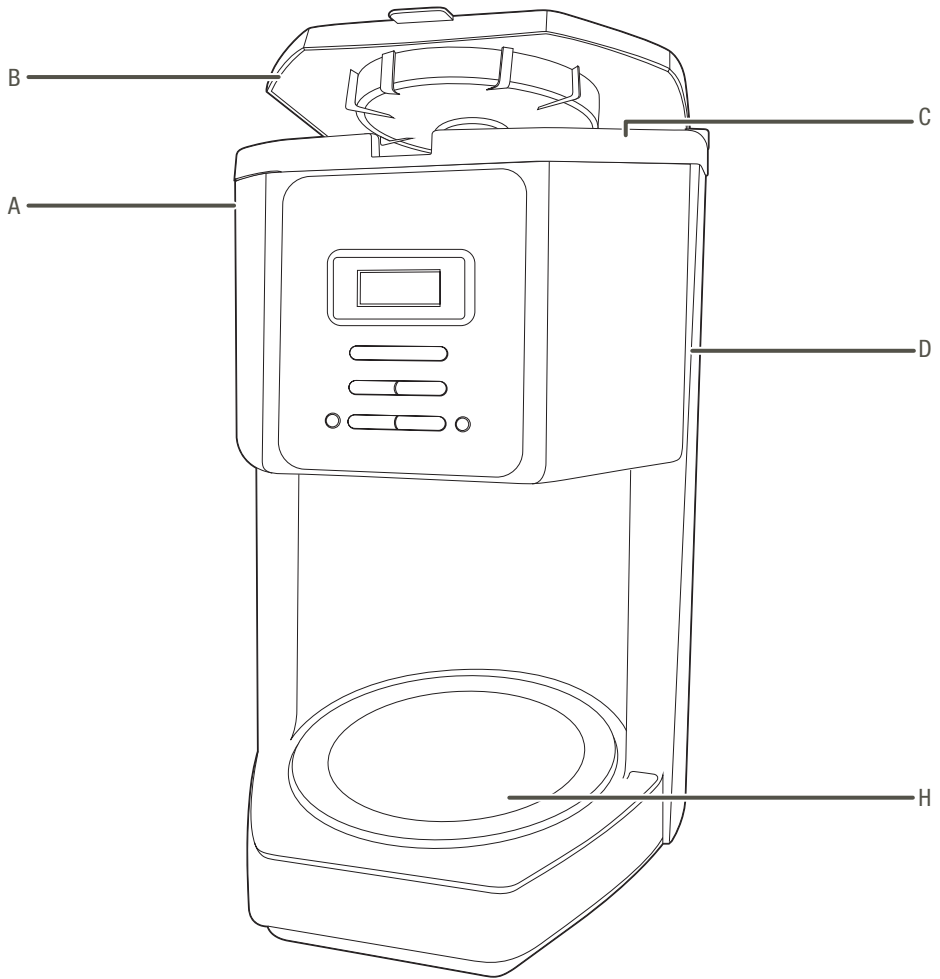


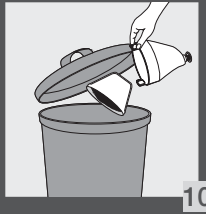
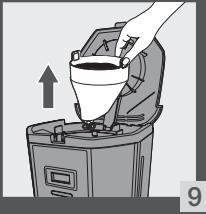
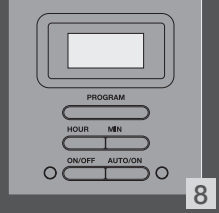
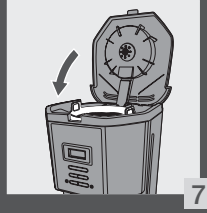
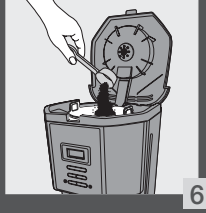
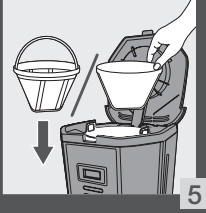
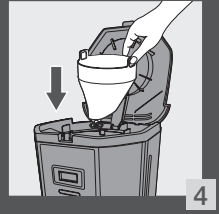
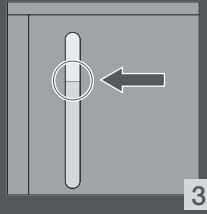
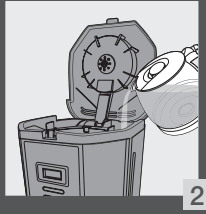
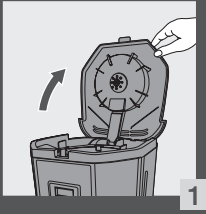
www.krups.com

EN

FR

ES





DESCRIPTION

| | |
|--------------------------------|---|
| A Main body | K On/Off button |
| B Top lid | L Auto On button |
| C Water tank | M On/Off Indication Light (red) |
| D Water level indicator | N Auto On Indication light (green) |
| E Carafe lid | O Programming button |
| F Carafe handle | P Hour Clock button |
| G Carafe | Q MIN Clock button |
| H Heating plate | R Display |
| I Filter holder | S Spoon |
| J Permanent filter | |

IMPORTANT SAFEGUARDS

When using electrical appliances, basic safety precautions should always be followed to reduce the risk of fire, electric shock, and/or injury to persons including the following :

1. Read all instructions prior to first use.
2. Do not touch hot surfaces. Do not touch the heating plate or bottom of the carafe when the keep warm function is on. Use handles or knobs.
3. To protect against fire, electric shock and/or injury to persons, do not immerse cord, plugs or machine in water or other liquid.
4. Not intended for use by children.
5. Close supervision is necessary when any appliance is used by or near children.
6. This appliance is not designed to be used by children or people without knowledge or experience with the product, unless they are supervised or given prior instructions concerning the use of the appliance by someone responsible for their safety.
7. Children must be supervised to ensure that they do not play with the appliance.
8. Burns can occur from touching the hot plate, hot water or steam. Exercise caution.
9. Unplug machine from outlet when not in use and when cleaning. Allow to cool before putting on or taking off parts, before cleaning the machine, and before storing.
10. All machines are subject to stringent quality control. Practical tests using machines taken at random are conducted and this may explain slight marks or coffee residue prior to use.
11. Do not operate any machine with a damaged cord or plug or after the machine malfunctions, or has been damaged in any manner. Return machine to the nearest

Krups Service Center for examination, repair or adjustment in your respective countries Consumer Service Department.

12. To reduce the risk of injury do not drape cord over the counter top or table top where it can be pulled on by children or tripped over accidentally.
13. Do not let cord hang over edge of table or counter, or touch hot surfaces.
14. The use of accessory attachments not recommended by Krups may result in fire, electric shock or injury to persons.
15. Do not use outdoors.
16. Do not place on or near hot gas or electric burner, or in a heated oven.
17. To disconnect the machine, turn the control to "off" then remove plug from wall outlet. Do not yank on cord, instead grasp plug and pull to disconnect.
18. Do not use the machine other than for intended use.
19. Do not pour liquids other than water and descaling solutions specified in this manual into the water tank.
20. Protect the machine against humidity and freezing temperatures.
21. This machine is for household use only.
22. The container is designed for use with this appliance. It must never be used on a range top.
23. Do not set a hot container on a wet or cold surface.
24. Do not use a cracked container or a container having a loose or weakened handle.
25. Do not clean container with cleansers, steel wool pads, or other abrasive material.
26. Scalding may occur if the lid is removed during the brewing cycles.
27. Lid should be closed during the brewing or descaling process.

SAVE THESE INSTRUCTIONS

CAUTION

This machine is intended for household use only. Any servicing other than cleaning and user maintenance should be performed by the nearest authorized Krups Service Center.

Visit our website at www.krupsusa.com in the USA or www.krups.ca in Canada or contact your respective country's Consumer Service department for the service center nearest to you.

To reduce the risk of fire or electric shock, do not attempt to disassemble the machine. Repair should be done by an authorized Krups Service Center only.

SHORT CORD INSTRUCTIONS

- A.** We do not recommend using an extension cord with this device. A short power cord is provided to reduce the risk of becoming entangled in or tripping over a longer cord accidentally.
- B.** If an extension cord is absolutely necessary,
 - 1) the marked electrical rating of the extension cord should be at least as great as the electrical rating of the machine,
 - 2) the longer cord should be arranged so that it will not drape over the counter top or table top where it can be pulled on by children or tripped over.
- C.** Extension cords are available and may be used if care is exercised in their use.
- D.** This machine has a polarized plug (one blade is wider than the other). To reduce the risk of electric shock, this plug is intended to fit into a polarized outlet only one

way. If the plug does not fit fully into the outlet, reverse the plug. If it still does not fit, contact a qualified electrician. Do not attempt to modify the plug in any way. In the interest of improving products, Krups reserves the right to change specifications without prior notice.

PRIOR TO FIRST USE

- Take your coffee maker out of the box and remove the packaging and all other items (Stickers, hang tags, etc.)
- Wash the detachable parts of the machine in warm soapy water.
- Operate your coffee maker for the first time without coffee using 1 liter of water to rinse the circuit.

SETTING THE CLOCK

1. Press and hold the Hour Clock button **(P)** for 2 seconds to set the current hour.
2. Then press and hold the Min Clock button **(Q)** for 2 seconds to set the current minute.

There is an AM indicator or a PM indicator on the left side. You have to press the Hour button and make a complete turn of the clock in order for the AM or PM indicator to appear.

When the clock stops flashing, the time is set.

TIPS & ADVICE

Your clock has now been set and will continue to keep the correct time, even after the coffee maker has been shut off. Unplugging the coffee maker or a power failure will reset the clock. Repeat the instructions above to reset the clock.

MAKING COFFEE

1. Place the coffee maker on a hard, flat surface. With the coffeemaker turned off, plug the machine into a 120V outlet.
2. Fill the carafe with fresh, cold water (preferably bottled or filtered water). Open the hinged cover and pour the water into the water tank. The number of cups is shown by the water level indicator. Do not exceed the maximum level - **Fig. 1, 2 and 3.**

Note:

- The amount of brewed coffee will be less than the water placed in the coffeemaker since about 10% is absorbed by the coffee grounds and the filter.
3. Place the carafe, with its lid, securely on to the heating plate **(H)** to activate the brewing mechanism.



CAUTION: To avoid overflowing the filter holder, the carafe must fit securely into the coffeemaker with the lid on. If not properly positioned on the heating plate, it could cause hot water or hot coffee to overflow.

4. Open the coffee maker lid **(B)**, insert the filter holder **(I)** by using the two handles on either side. Make sure it is securely pushed down and locked into place. Then insert a standard #4 cone paper filter or the permanent filter **(J)** into the filter holder **(I)**. Use a fresh paper filter or clean the permanent filter for each new brew cycle - Fig. 4 and 5.
5. Add about 10 flat spoons **(S)** of ground coffee for 12 cups. Experiment with the amount of coffee used in order to adjust the flavor to your taste - Fig. 6.
6. Close the top lid making sure it is securely closed - Fig. 7.
7. Press the On/Off button **(K)**. The light **(M)** will illuminate, indicating that your coffee maker has begun the brewing cycle.



CAUTION: The coffee maker becomes very hot during the brew cycle. Please handle with care.

Note: At any time during the brewing cycle, you can turn the coffee maker off by simply pressing the On/Off button **(K)**. No light **(M)** will be illuminated, indicating that the coffee maker is off.

8. When the brewing cycle is completed, the On/Off light **(M)** will stay illuminated as the keep warm cycle starts.

The anti drip valve will prevent any remaining coffee from dripping onto the heating plate. Ensure that the carafe is replaced on the heating plate after serving.

Notes: When the brewing cycle is finished, there will still be hot liquid in the filter basket. Wait a few minutes for the rest of the liquid to drip through into the carafe.

- The keep warm function will operate for up to two hours. During the keep warm cycle, the On/Off light **(M)** will stay illuminated. At any time you can stop the keep warm cycle just by pressing the On/Off button **(K)**. The On/Off light **(M)** will switch off.
9. Open the top lid and carefully remove the filter holder by grasping the tabs on each side of the filter holder, and lifting straight up from the coffee maker. Discard the used coffee filter and grounds. If you use the permanent filter, wash it immediately (see section “**CLEANING**”) - Fig. 9 and 10.

Note:

- If two or more pots of coffee are to be made it is recommended that the coffeemaker be allowed to cool for 3 minutes between brewing.

Auto Shut-Off

As a convenience, your coffee maker has been designed with an Auto Shut-Off feature. When the brewing cycle is completed, the coffee maker will shut off automatically after 2 hours.

PROGRAMMING YOUR COFFEE MAKER

Auto On Setting

1. Check to ensure that the clock is set to the correct time. If the time is incorrect, follow the instructions in the “**SETTING THE CLOCK**” section.
2. Follow steps 1 through 7 in the “Making Coffee” section.
3. Press the Programing button (**O**).
4. Use the Hour (**P**) and Min (**Q**) buttons to set the desired start brewing hour(see section “**SETTING THE CLOCK**”). Refer to the AM and PM indicators on the left side.
5. Press the Auto on button (**L**). Auto On Indicator Light (**N**) will illuminate to indicate that the coffee maker is programmed. The digital clock will continue to show the current time.
6. Once the preset brew time is reached, the coffee maker will automatically initiate the brew cycle. The On/Off light (**M**) will illuminate, indicating that your coffee maker has begun the brewing cycle. The Auto Light on (**N**) will switch off.
7. To cancel a preset brewing cycle, press the Auto on button (**L**) - the preset brew cycle is cancelled when the Auto Light (**N**) is no longer illuminated. For your convenience, your coffee maker will remember your preset brewing time. Simply press the Auto on button (**L**) to activate the preset brewing cycle. To change the preset brewing time, follow steps 3 through 7 above.

TIPS & ADVICE

At any time during the brewing cycle, you can turn the coffee maker off or cancel the brewing cycle, by simply pressing the On/Off button (**K**). No buttons will be illuminated, indicating that the coffee maker is off.

Pause & serve

- This feature allows you to interrupt the brewing cycle and pour a cup of coffee before the entire carafe is finished brewing.
- While this will temporarily stop the coffee from dripping into the carafe, it does not stop the brewing cycle. After serving, the carafe should be immediately returned to the heating plate to prevent the filter holder from overflowing. Make sure the carafe is positioned firmly against the back of the coffee maker. Do not remove the carafe for longer than 20 seconds.
- This setting should be used when the carafe is half full or less, to ensure the coffee quality is maintained.
- The Stay Warm setting will continue to operate as long as the unit is on and will shut off automatically after 2 hours.

TIPS & ADVICE

While the pause and serve feature is a convenient way to pour a cup of coffee midcycle, we recommend you wait until the brewing cycle is complete as the strength and flavor of coffee poured mid-cycle will vary from the finished brew.

CLEANING

- To remove the used coffee grounds, remove the filter holder from the coffee maker. - Fig. 9.
- Unplug the appliance.
- Do not clean the appliance when it is still hot.
- Wash carafe, carafe lid and removable filter holder in hot, soapy water or place it in the top rack of the dishwasher.

NOTE: Do not place any other part of the coffee maker in the dishwasher.

- Clean with a soft cloth or a damp sponge. Never use harsh detergents or abrasive cleaners on any part of the coffee maker.
- To clean the stainless steel parts of your coffee maker, rinse a soft cloth or sponge in warm water and squeeze out the excess water. Wipe the surface of the stainless steel in the direction of the brush marks. Dry thoroughly and polish with a soft dry cloth.
- For hard to remove stains, use a plastic mesh pad or cloth damped in vinegar.
- Do not immerse the appliance in water or place it under running water.

DESCALING

- Calcium build-up frequently occurs in drip coffeemakers. This build-up is normal and is caused by minerals commonly found in drinking water. Periodically, your coffeemaker will need cleaning to remove calcium or mineral deposits that may form. You will know when your unit will need descaling when you notice an obvious slow down in brewing time.
- We recommend descaling your unit with a solution of white vinegar and cold water or a suitable descaling agent. A solution of two tablespoons of white vinegar to one carafe of cold water works best. Pour this solution into the water tank, and follow your normal operating instructions, without a filter in the filter basket.
- When the brew cycle is finished, empty the carafe and rinse with water. Refill the water reservoir with cold water only and repeat the brew cycle with water only, twice more. This will rinse out any remaining vinegar solution.
- We strongly recommend descaling your coffee maker any time the brewing time slows down or when you begin to notice excessive steaming. The frequency of descaling will depend on the hardness of your water. We suggest descaling approximately every 40 brew cycles if your tapwater is hard.

TROUBLESHOOTING

| PROBLEM | SOLUTION |
|---|---|
| <p>The coffee does not brew or the machine does not switch on.</p> | <ul style="list-style-type: none"> ■ Check to ensure the appliance is plugged into a working outlet, and the appliance is in the “ON” position. ■ The water tank is empty. ■ There was a power failure. ■ There was a power surge. Unplug the machine, then plug it back in. ■ The clock must be reset after a power failure. ■ The Auto-Off function switches off the coffee maker. Switch off the coffee maker then switch it back on to make more coffee. For more information, refer to the section “Making coffee”. |
| <p>Appliance appears to be leaking.</p> | <ul style="list-style-type: none"> ■ Make sure that the water tank has not been filled beyond the max fill level |
| <p>It takes a long time to brew.</p> | <ul style="list-style-type: none"> ■ It may be time to descale your coffee maker. ■ Periodic descaling of the machine is recommended. More frequent descaling may be necessary depending on the hardness of the water. For more information, refer to the “Descaling” section. <p>NOTE: do not dismantle the machine.</p> |
| <p>The Permanent Filter (J) overflows or the coffee drips too slowly.</p> | <ul style="list-style-type: none"> ■ Coffee maker needs cleaning. ■ Excessive amount of coffee. We recommend that you use one measuring spoon or one tablespoon of coffee ground per cup. ■ Coffee grind is too fine (beans ground for an Espresso maker are not suitable for drip coffee makers). |

| PROBLEM | SOLUTION |
|---|--|
| The Permanent Filter (J) overflows or the coffee drips too slowly. | <ul style="list-style-type: none"> ■ Some coffee grounds have seeped in between the paper filter or permanent filter and the filter holder (I). ■ The paper filter is not open or is incorrectly positioned. ■ Rinse out the filter holder (I) before putting in the paper filter so that its edges stick to the damp sides of the filter. ■ More than one paper filter in the filter holder (I). |
| The coffee has a bad taste. | <ul style="list-style-type: none"> ■ The coffee maker needs to be cleaned. ■ The coffee grounds are not suited to your coffee maker. ■ The proportion of coffee to water is inadequate. Adjust it to suit your taste. ■ The quality and freshness of the coffee are not optimal. ■ Poor-quality water. Use filtered or bottled water. |
| You can not close the top lid of the coffee maker properly | <ul style="list-style-type: none"> ■ Check to ensure the filter holder is inserted correctly. ■ Only use a standard #4 cone filter. |
| Coffee drips on the heating plate, when removing the carafe | <ul style="list-style-type: none"> ■ Place the carafe back on the heating plate, the pause & serve mechanism is blocked. Wait until the filter holder is completely empty. Clean the filter holder |
| On each use, the clock starts at 12:00 | <ul style="list-style-type: none"> ■ Set the clock (section “Setting the clock”) The setting of the clock will be reset after a power failure or when the appliance is unplugged. |
| You can not enter the desired settings for automatic programming | <ul style="list-style-type: none"> ■ Set the clock (section “Setting the clock”) |
| The automatic function did not start at the selected time | <ul style="list-style-type: none"> ■ Check the setting of the clock ■ Check start time as well as AM and PM indicators |
| The coffee does not drip in the carafe | <ul style="list-style-type: none"> ■ Check to make sure the water tank is filled ■ The appliance is switched off |

If your appliance still does not work properly, please call your respective country’s Consumer Service.

MANUFACTURER'S WARRANTY



: www.krups.com

With a strong commitment to the environment, most of Krups products are repairable during and after the warranty period. Before returning any defective products to the point of purchase, please call Krups consumer service directly at the phone number below for repair options.

Your help to sustain the environment is appreciated!

After sales service

The appliance isn't user-serviceable. If it's not working properly, check that:

- You've followed the instructions correctly;
- The main supply fuse/circuit breaker hasn't blown/tripped.

If it still doesn't work, consult your retailer.

The Warranty

This product is guaranteed by Krups for a period of **2 years** against any manufacturing defect in materials or workmanship, starting from the initial date of purchase.

The manufacturer's warranty by Krups is an extra benefit which does not affect consumer's Statutory Rights.

The Krups warranty covers all costs related to restoring the proven defective product so that it conforms to its original specifications, through the repair or replacement of any defective part and the necessary labor. At Krups's choice, a replacement product may be provided instead of repairing a defective product. Krups's sole obligation and your exclusive resolution under this warranty are limited to such repair or replacement.

Conditions & Exclusions

The Krups warranty only applies within USA, Canada & Mexico, and is valid only on presentation of a proof of purchase. The product can be taken directly in person to an authorized service centre or must be adequately packaged and returned, by recorded delivery (or equivalent method of postage), to a Krups authorized service centre. Full address details for each country's authorized service centre are listed on the Krups website (www.krups.com) or by calling the appropriate telephone number listed below to request the appropriate postal address.

Krups shall not be obliged to repair or replace any product which is not accompanied by a valid proof of purchase.

This warranty will not cover any damage which could occur as a result of misuse, negligence, failure to follow Krups instructions, use on current or voltage other than as stamped on the product, or a modification or unauthorized repair of the product. It also does not cover normal tear and wear, maintenance or replacement of consumable parts, and the following:

- using the wrong type of water
- scaling (any de-scaling must be carried out according to the instructions for use);
- ingress of water, dust or insects into the product;

- mechanical damages, overloading
- damages or bad results due to wrong voltage or frequency
- accidents including fire, flood, lightning, etc
- professional or commercial use
- damage to any glass or porcelain ware in the product

This warranty does not apply to any product that has been tampered with, or to damages incurred through improper use and care, faulty packaging by the owner or mishandling by any carrier.

The Krups manufacturer's warranty applies only for products purchased and used in USA, Canada & Mexico. Where a product purchased in one country and then used in another one:

- a) The Krups guarantee duration is the one in the country of usage of the product, even if the product was purchased in another listed country with different guarantee duration.
- b) The Krups guarantee does not apply in case of non conformity of the purchased product with the local standards, such as voltage, frequency, power plugs, or other local technical specifications
- c) The repair process for products purchased outside the country of use may require a longer time if the product is not locally sold by Krups
- d) In cases where the product is not repairable in the new country, the Krups guarantee is limited to a replacement by a similar product or an alternative product at similar cost, where possible.

Consumer Statutory Rights

This Krups manufacturer's warranty does not affect the statutory rights a consumer may have or those rights that cannot be excluded or limited, nor rights against the retailer from which the consumer purchased the product. This warranty gives a consumer specific legal rights, and the consumer may also have other legal rights which vary from State to State or Country to Country or Province to Province. The consumer may assert any such rights at his sole discretion.

Additional information

Accessories, Consumables and end-user replaceable parts can be purchased, if locally available, as described in Krups internet site.

| | | | | | |
|---------------|---|---------------|--|---------------|---|
| CANADA | GROUPE SEB CANADA 345 Passmore Avenue Toronto, ON M1V 3N8 | MEXICO | Groupe SEB MEXICO S.A. de C.V. Goldsmith 38 Desp. 401 Col. Polanco Delegacion Miguel Hidalgo 11 560 Mexico D.F. MEXICO | U.S.A. | GROUPE SEB USA 2121 Eden Road Millville, NJ 08332 |
| | 1-800-418-3325 | | 01800 1128325 | | 800-526-5377 |

 : www.krups.com

DESCRIPTION

| | | | |
|----------|----------------------------|----------|----------------------------------|
| A | Corps de l'appareil | K | Bouton « On/Off » (marche/arrêt) |
| B | Couvercle supérieur | L | Bouton « Auto » |
| C | Réservoir d'eau | M | Voyant Marche/Arrêt (rouge) |
| D | Indicateur de niveau d'eau | N | Voyant Auto (vert) |
| E | Couvercle de la carafe | O | Bouton de programmation |
| F | Poignée de la carafe | P | Bouton Horloge Heures |
| G | Carafe | Q | Bouton Horloge Minutes |
| H | Plaque chauffante | R | Écran |
| I | Porte-filtre | S | Cuillère |
| J | Filtre réutilisable | | |

PRÉCAUTIONS IMPORTANTES

Lorsque vous utilisez un appareil électrique et afin de réduire les risques d'incendie, de choc électrique et/ou de blessure, suivez toujours les précautions de base, y compris celles-ci :

1. Lisez entièrement les instructions avant l'utilisation.
2. Ne touchez pas aux surfaces chaudes. Ne touchez ni la plaque chauffante ni le dessous de la carafe lorsque la fonction réchaud est en marche. Utilisez les poignées ou les boutons.
3. Pour vous protéger d'un choc électrique, n'immergez pas, en tout ou en partie, le cordon d'alimentation, la prise de courant ou l'appareil, ni dans de l'eau ni dans aucun autre liquide.
4. Cet appareil n'est pas destiné à être utilisé par des enfants.
5. Une surveillance accrue est nécessaire lorsque l'appareil est utilisé par ou à proximité d'enfants.
6. Cet appareil n'est pas conçu pour être utilisé par des personnes (y compris des enfants) aux capacités physiques, sensorielles ou mentales réduites, ou en manque d'expérience ou des connaissances nécessaires à son usage, sauf si ces personnes sont supervisées ou obtiennent des instructions par le biais d'un adulte responsable de leur sécurité.
7. Pour s'assurer qu'ils ne jouent pas avec l'appareil, les enfants doivent être supervisés.
8. Un contact avec la plaque chauffante, l'eau chaude ou la vapeur peut causer des brûlures. Usez de précaution.
9. Débranchez de la prise murale après l'usage et lors du nettoyage. Laissez l'appareil refroidir avant d'installer ou d'enlever des accessoires, avant de le nettoyer et avant de le ranger.

10. Tous les appareils sont sujets à un contrôle de qualité strict. Des tests pratiques sur des appareils choisis au hasard sont conduits, ce qui peut expliquer la présence de marques légères ou de résidus de café avant la première utilisation.
11. N'utilisez pas un appareil avec un cordon d'alimentation ou une prise de courant endommagé, quand l'appareil fonctionne mal, ou après qu'il ait été endommagé de quelque manière que ce soit. Retournez l'appareil au centre de service Krups pour qu'il soit examiné, réparé ou ajusté, ou adressez-vous au département du service à la clientèle de votre pays.
12. Pour éviter tout risque de blessure, ne laissez pas le cordon d'alimentation pendre d'une table ou d'un comptoir où des enfants pourraient tirer ou trébucher dessus par accident.
13. Ne laissez pas le cordon d'alimentation pendre d'une table ou d'un comptoir, ni entrer en contact avec des surfaces chaudes.
14. L'usage d'accessoires non recommandés par Krups peut causer un incendie, un choc électrique ou des blessures.
15. N'utilisez pas l'appareil à l'extérieur.
16. Ne placez jamais l'appareil sur ou près d'un brûleur à gaz, d'une plaque électrique ou dans un four chaud.
17. Afin de débrancher l'appareil, tournez les commandes à « off » (arrêt), puis débranchez la prise de courant de la prise murale. Plutôt que de tirer le cordon d'alimentation pour débrancher l'appareil, saisissez la prise d'alimentation et tirez.
18. N'utilisez pas l'appareil pour un autre usage que celui pour lequel il a été conçu.
19. Ne versez pas de liquide autre que de l'eau ou la solution détartrante précisée dans ce manuel dans le réservoir d'eau.
20. Rangez l'appareil à l'abri de l'humidité et du gel.
21. Cet appareil est destiné à un usage domestique seulement.
22. La carafe est conçue pour être utilisée avec cet appareil. Elle ne doit jamais être placée sur un four.
23. Ne placez pas une carafe chaude sur une surface mouillée ou froide.
24. N'utilisez pas une carafe fêlée ou dont la poignée est lousse ou affaiblie.
25. Ne nettoyez pas la carafe avec un produit abrasif ni avec une éponge ou tout autre matériau abrasif.
26. N'ouvrez pas le couvercle pendant la préparation du café, car vous risquez de vous brûler.
27. Il est interdit de retirer le couvercle. Le couvercle doit être refermé correctement pendant la préparation du café et pendant le détartrage.

CONSERVER CES INSTRUCTIONS

ATTENTION

Cet appareil est réservé à un usage domestique seulement. Outre le nettoyage et l'entretien de base, toute réparation doit être effectuée par le centre de service Krups agréé le plus près de chez vous.

Visitez notre site Web au www.krupsusa.com pour les États-Unis ou au www.krups.ca pour le Canada, ou communiquez avec le département du service à la clientèle de votre pays pour connaître le centre de service le plus près de chez vous.

Afin de réduire les risques d'incendie et de choc électrique, n'essayez pas de démonter votre appareil.

Toute réparation doit être effectuée par un centre de service Krups agréé seulement.

INSTRUCTIONS POUR LE CORDON D'ALIMENTATION COURT

- A.** Nous ne recommandons pas l'utilisation d'une rallonge électrique avec cet appareil. Un cordon d'alimentation court ou un cordon d'alimentation détachable est fourni afin de réduire les possibilités d'emmêlement et de trébuchage accidentels dus à un cordon d'alimentation trop long.
- B.** Si une rallonge électrique est absolument nécessaire, veillez à ce que :
 - 1) le calibre spécifié sur le cordon soit au moins aussi élevé que celui indiqué sur l'appareil,
 - 2) le cordon d'alimentation soit disposé de façon à ce qu'il ne pende pas du comptoir ou de la surface de travail, car un enfant pourrait tirer dessus ou il pourrait faire trébucher quelqu'un.
- C.** Vous pouvez utiliser des rallonges électriques si vous les utilisez en faisant attention.
- D.** Cet appareil est équipé d'une fiche polarisée (une lame plus large que l'autre). Afin de réduire les risques de choc électrique, cette fiche est faite pour être insérée dans une prise murale polarisée dans un sens uniquement. Si la fiche ne s'insère pas complètement dans la prise murale, retournez la fiche. Si elle ne s'insère toujours pas, communiquez avec un électricien certifié. Ne tentez pas de modifier cette prise d'aucune manière.

Dans le but d'améliorer ses produits, Krups se réserve le droit de changer ces spécifications sans avis préalable.

AVANT LA PREMIÈRE UTILISATION

- Sortez la cafetière de sa boîte et retirez l'emballage ainsi que tout autre élément (collant, étiquette à fil, etc.).
- Nettoyez les parties amovibles de l'appareil avec de l'eau chaude savonneuse.
- Faites fonctionner votre cafetière une première fois sans café, avec un litre d'eau pour rincer le circuit.

RÉGLAGE DE L'HORLOGE

1. Maintenez le bouton Horloge Heures (**P**) appuyé 2 secondes pour régler les chiffres des heures.
2. Puis maintenez le bouton Horloge Minutes (**Q**) appuyé 2 secondes pour régler les chiffres des minutes.

Il y a un indicateur « AM » ou « PM » sur la gauche. Vous devez appuyer sur le bouton Heures et effectuer un tour complet de l'horloge pour que l'indicateur « AM » ou « PM » s'affiche.

Quand l'affichage de l'horloge s'arrête de clignoter, cela indique qu'elle est réglée.

CONSEILS

Votre horloge est maintenant réglée et conserve son réglage même si la cafetière est éteinte. Si la cafetière est débranchée ou s'il y a une coupure de courant, l'horloge est réinitialisée. Répétez la procédure ci-dessus pour la régler à nouveau.

PRÉPARATION DU CAFÉ

1. Placez la cafetière sur une surface plane et dure. Assurez-vous que la machine est éteinte avant de la brancher dans une prise murale de 120 V.
2. Remplissez la carafe d'eau fraîche (de l'eau embouteillée ou filtrée de préférence). Soulevez le couvercle à charnières et versez l'eau dans le réservoir. Le nombre de tasses est indiqué par l'indicateur de niveau d'eau. Ne dépassez pas le niveau maximal - Fig. 1, 2 et 3.

Note :

- La quantité de café infusé sera moindre que la quantité d'eau versée dans la cafetière : environ 10 % de cette eau est absorbée par le café moulu et le filtre.
3. Pour enclencher le mécanisme d'écoulement, déposez la carafe avec son couvercle sur la plaque chauffante (**H**) en vous assurant qu'elle y est placée de façon sécuritaire.



ATTENTION : Pour éviter un débordement du porte-filtre, la carafe pourvue de son couvercle doit être bien calée dans la cafetière. Une carafe mal positionnée sur la plaque chauffante peut provoquer un débordement d'eau chaude ou de café chaud.

4. Ouvrez le couvercle de la cafetière (**B**), insérez-y le porte-filtre (**I**) à l'aide des deux poignées latérales. En le poussant vers le bas, assurez-vous que le porte-filtre est bien installé et verrouillé en place. Insérez un filtre conique standard de type 4 ou un filtre réutilisable (**J**) dans le porte-filtre (**I**). Utilisez un filtre neuf ou nettoyez le filtre réutilisable entre chaque carafe (Fig. 4 et 5).
5. Ajoutez environ 10 cuillères rases (**S**) de café moulu pour 12 tasses. Essayez plusieurs quantités de café afin d'ajuster la saveur à votre goût personnel. Ne dépassez pas le niveau maximal (Fig. 6).
6. Fermez le couvercle supérieur en vous assurant qu'il est fermé hermétiquement (Fig. 7).
7. Appuyez sur le bouton « On/Off » (**K**). Le voyant (**M**) est allumé, cela indique que votre cafetière a démarré le cycle d'infusion.



ATTENTION : La cafetière devient chaude durant le cycle d'infusion. Veuillez faire preuve de prudence.

Note : Vous pouvez éteindre la cafetière à tout moment en appuyant sur le bouton « On/Off » (**K**). Le voyant (**M**) n'est pas allumé, cela indique que votre cafetière est éteinte.

- Une fois le cycle d'infusion terminé, le voyant Marche/Arrêt (**M**) reste allumé, car le cycle de maintien au chaud démarre.

La soupape anti-gouttes empêche que le café restant ne goutte sur la plaque chauffante. Veillez à remettre la carafe sur la plaque chauffante après avoir servi le café.

Remarques : Quand le cycle d'infusion est terminé, il reste du liquide brûlant dans le porte-filtre. Attendez quelques minutes que le liquide restant s'égoutte dans la carafe.

- La fonction de maintien au chaud fonctionne pendant deux heures au maximum. Pendant le cycle de maintien au chaud, le voyant Marche/Arrêt (**M**) reste allumé. Vous pouvez arrêter à tout moment le cycle de maintien au chaud en appuyant sur le bouton Marche/Arrêt (**K**). Le voyant Marche/Arrêt (**M**) s'éteint.
- Ouvrez le couvercle et retirez précautionneusement le porte-filtre en saisissant ses languettes latérales et en le soulevant verticalement. Jetez le filtre à café usagé et le marc de café. Si vous utilisez un filtre permanent, lavez-le immédiatement (voir le chapitre « **NETTOYAGE** ») - Fig. 9 et 10.

Note :

- Si vous désirez faire deux carafes de café ou plus, il est recommandé de laisser la cafetière refroidir durant 3 minutes entre chaque infusion.

Arrêt automatique

Pour plus de commodité, votre cafetière a été conçue pour s'arrêter automatiquement grâce à une fonction d'arrêt automatique. Deux heures après la fin du cycle d'infusion, la cafetière s'éteindra automatiquement.

PROGRAMMATION DE LA CAFETIÈRE

Fonction de démarrage automatique

- Vérifiez que l'horloge est réglée à la bonne heure. Si l'horloge n'affiche pas la bonne heure, reportez-vous aux instructions du chapitre « **RÉGLAGE DE L'HORLOGE** ».
- Effectuez les étapes 1 à 7 du chapitre « Préparation du café ».
- Appuyez sur le bouton de programmation (**O**).
- Utilisez les boutons Heures (**P**) et Minutes (**Q**) pour régler l'heure de démarrage de l'infusion (voir le chapitre « **RÉGLAGE DE L'HORLOGE** »). Prenez en compte les voyants « AM » et « PM » sur la gauche.
- Appuyez sur le bouton Auto (**I**). Le voyant Auto (**N**) s'allume pour indiquer que la cafetière est programmée. L'horloge numérique continue d'afficher l'heure actuelle.
- Une fois l'heure d'infusion programmée atteinte, la cafetière démarre automatiquement un cycle d'infusion. Le voyant Marche/Arrêt (**M**) s'allume, ce qui indique que votre cafetière a démarré le cycle d'infusion. Le voyant Auto (**N**) s'éteint.
- Pour annuler un cycle d'infusion programmé, appuyez sur le bouton Auto (**I**) - Le cycle d'infusion programmé est annulé et le voyant Auto (**N**) s'éteint pour l'indiquer. Pour plus de commodité, votre cafetière conserve en mémoire l'heure d'infusion programmée. Il vous suffit d'appuyer sur le bouton Auto (**I**) pour réactiver l'heure d'infusion programmée. Pour modifier l'heure d'infusion programmée, effectuez les étapes 3 à 7 susmentionnées.

CONSEILS

À tout moment pendant le cycle d'infusion, vous pouvez éteindre la cafetière ou annuler le cycle d'infusion en appuyant simplement sur le bouton Marche/Arrêt (K). Tous les boutons s'éteignent, ce qui indique que la cafetière est éteinte.

Arrêter et servir

- Cette fonction vous permet d'interrompre le cycle d'infusion et de vous verser une tasse de café avant que la carafe ait fini d'infuser complètement.
- Bien que cette fonction arrête temporairement le café de dégoutter dans la carafe, il n'arrête pas le cycle d'infusion en soi. Après vous être servi, remettez immédiatement la carafe sur la plaque chauffante afin d'éviter que le porte-filtre ne déborde. Assurez-vous de poser la carafe fermement contre l'arrière de la cafetière. Ne retirez pas la carafe pendant plus de 20 secondes.
- Cela doit être fait quand la carafe est remplie à moitié ou moins afin de maintenir la saveur du café.
- Le maintien au chaud se poursuit tant que l'appareil est allumé et s'arrête automatiquement après 2 heures.

CONSEILS

La fonction arrêter et servir est pratique pour servir une tasse de café quand l'infusion n'est pas encore terminée, néanmoins nous vous recommandons d'attendre la fin du cycle d'infusion, car la force et la saveur du café servi en cours de cycle et en fin de cycle sont différentes.

NETTOYAGE

- Afin de retirer le café moulu utilisé, retirez le porte-filtre de la cafetière. Fig 9
- Débranchez l'appareil.
- Ne nettoyez pas l'appareil s'il est encore chaud.
- Nettoyez la carafe, son couvercle et le porte-filtre amovible avec de l'eau chaude savonneuse ou déposez-les dans le panier supérieur du lave-vaisselle.

NOTE : Ne déposez aucune autre pièce de la cafetière dans le lave-vaisselle.

- Utilisez un chiffon doux ou une éponge humide pour le nettoyage. N'utilisez jamais de détergent agressif ou de nettoyeurs abrasifs sur toute pièce de la cafetière, quelle qu'elle soit.
- Afin de nettoyer les pièces en acier inoxydable de votre cafetière, rincez à l'eau chaude un chiffon doux ou une éponge et essorez-en l'excès d'eau. Frottez la surface en acier inoxydable dans le sens de son grain. Séchez complètement et polissez-la à l'aide d'un chiffon doux et sec.
- Utilisez un tampon à récurer en plastique ou un chiffon préalablement trempé dans le vinaigre pour vous débarrasser des taches tenaces.
- L'appareil ne doit être ni immergé ni placé sous l'eau courante.

DÉTARTRAGE

- L'accumulation de tartre survient fréquemment dans les cafetières à percolation. Cette accumulation est normale. Elle est causée par les minéraux que l'on trouve couramment dans l'eau potable. Votre cafetière aura besoin d'un nettoyage périodique afin de la débarrasser du tartre ou des dépôts minéraux qui peuvent s'y former. Vous saurez que votre unité nécessite un détartrage lorsque vous remarquerez un ralentissement notable de la durée d'infusion.
- Nous vous recommandons de détartrer votre appareil à l'aide d'un mélange de vinaigre blanc et d'eau froide ou d'un agent détartrant adéquat. La meilleure méthode consiste à incorporer deux cuillères à table de vinaigre blanc à une carafe d'eau froide. Versez ce mélange dans le réservoir d'eau et suivez les instructions normales de fonctionnement de votre appareil, sans y mettre de filtre dans le porte-filtre.
- À la fin du cycle d'infusion, videz la carafe et rincez-la à l'eau. Remplissez d'eau froide le réservoir et répétez deux fois de plus le cycle d'infusion avec de l'eau seulement. Cette opération vous permettra d'éliminer en le rinçant tout reste du mélange vinaigré.
- Nous recommandons de détartrer votre cafetière dès que vous notez un ralentissement de la durée d'infusion ou dès que vous remarquez une production excessive de vapeur. La fréquence de détartrage dépend de la dureté de l'eau que vous utilisez. Nous suggérons un détartrage environ tous les 40 cycles si l'eau est dure.

RÉSOLUTION DE PROBLÈMES

| PROBLÈME | SOLUTION |
|--|--|
| Le café n'infuse pas, cafetière ne démarre pas. | <ul style="list-style-type: none"> ■ Assurez-vous que l'appareil est branché dans une prise murale qui fonctionne et que le bouton est bien en position « ON ». ■ Le réservoir d'eau est vide. ■ Il y a eu une panne de courant. ■ Il y a eu une surcharge électrique. Débranchez la cafetière et rebranchez-la. ■ L'horloge doit être remise à l'heure après une panne de courant. ■ La fonction « arrêt automatique » éteint la cafetière. Éteignez l'appareil et redémarrez-la afin de refaire du café. Pour plus d'information, reportez-vous à la section « Préparation du café ». |
| L'appareil semble couler. | <ul style="list-style-type: none"> ■ Assurez-vous que le réservoir d'eau n'est pas rempli au-delà de sa capacité. |
| L'infusion prend beaucoup de temps. | <ul style="list-style-type: none"> ■ Il est peut-être temps de détartrer votre appareil. ■ De nombreux minéraux ont tendance à s'accumuler dans le circuit de la cafetière. ■ Un détartrage périodique de votre machine est recommandé. Un détartrage plus fréquent peut être nécessaire si l'eau que vous utilisez est dure. Pour plus d'information, reportez-vous à la section « Détartrage ». <p>NOTE : Ne démontez pas la cafetière.</p> |
| Le filtre réutilisable (J) déborde, le café dégoutte trop lentement. | <ul style="list-style-type: none"> ■ Votre appareil doit être nettoyé. ■ Il y a trop de café dans le panier. Nous recommandons d'utiliser une mesure ou une cuillère à table par tasse. ■ La mouture du café est trop fine (les grains moulus en fonction d'une machine à espresso ne conviennent pas aux cafetière à percolation). |

| PROBLÈME | SOLUTION |
|--|--|
| Le filtre réutilisable (J) déborde, le café dégoutte trop lentement. | <ul style="list-style-type: none"> ■ Du café s'est infiltré entre le filtre en papier ou le filtre réutilisable et le porte-filtre (I). ■ Le filtre en papier n'est pas ouvert ou n'est pas bien positionné. ■ Rincez le porte-filtre (I) avant d'y placer le filtre en papier pour que son extrémité adhère à la paroi humide du porte-filtre. ■ Il y a plus d'un filtre en papier dans le porte-filtre (I). |
| Le café a mauvais goût. | <ul style="list-style-type: none"> ■ L'appareil a besoin d'être nettoyé. ■ La mouture de café utilisée ne convient pas à l'appareil. ■ La proportion de café et d'eau ne vous convient pas. Rajustez-la à votre goût. ■ La qualité ou la fraîcheur du café n'est pas optimale. ■ L'eau est de mauvaise qualité. Utilisez de l'eau filtrée ou embouteillée. |
| Vous n'arrivez pas à fermer adéquatement le couvercle supérieur de la cafetière. | <ul style="list-style-type: none"> ■ Vérifiez que le porte-filtre est placé correctement. ■ Le porte-filtre est trop grand : n'utilisez que les filtres en papier de la taille adéquate. |
| Lorsque vous retirez la carafe, le café dégoutte sur la plaque chauffante. | <ul style="list-style-type: none"> ■ Le mécanisme « arrêter et servir » est bloqué : remettez la carafe sur la plaque chauffante. Attendez jusqu'à ce que le porte-filtre soit complètement vide. Nettoyez le porte-filtre. |
| L'horloge se remet à 12:00 à chaque utilisation. | <ul style="list-style-type: none"> ■ Réglez l'horloge (section « Réglage de l'horloge »). Le réglage de l'horloge est effacé si l'appareil est débranché ou si une panne de courant survient. |
| Vous n'arrivez pas à enregistrer les réglages en vue d'un démarrage automatique. | <ul style="list-style-type: none"> ■ Réglez l'horloge (section « Réglage de l'horloge »). |
| La fonction automatique n'a pas démarré à l'heure choisie. | <ul style="list-style-type: none"> ■ Vérifier le réglage de l'horloge. ■ Vérifiez le temps de démarrage ainsi que les indicateurs « AM » et « PM ». |
| Le café ne dégoutte pas dans la carafe. | <ul style="list-style-type: none"> ■ Assurez-vous que le réservoir d'eau n'est pas vide. ■ L'appareil est éteint. |

Si votre appareil ne fonctionne toujours pas correctement, veuillez communiquer avec le centre de service à la clientèle de votre pays.

GARANTIE DU FABRICANT



: www.krups.com

Dans le cadre de notre ferme engagement envers l'environnement, la plupart des produits Krups sont réparables durant la période de garantie et par la suite. Avant de retourner des produits défectueux à l'endroit où vous l'avez acheté, veuillez communiquer directement avec le service à la clientèle de Krups au numéro de téléphone mentionné ci-dessous, pour connaître les options de réparation. Votre aide pour soutenir l'environnement est appréciée!

La garantie

Ce produit est garanti par Krups pendant **2 ans** contre tout défaut de fabrication ou de main-d'oeuvre et ce, à partir de la date initiale de l'achat.

Cette garantie du fabricant Krups vient en complément des droits des consommateurs.

La garantie du fabricant couvre tous les coûts de remise en état d'un produit reconnu défectueux pour qu'il se conforme à ses spécifications d'origine, par la réparation ou le remplacement de pièces défectueuses et la main-d'oeuvre nécessaire. Au choix de Krups, un produit de remplacement peut être proposé à la place de la réparation du produit défectueux. Les obligations de Krups dans le cadre de cette garantie se limitent exclusivement à cette réparation ou ce remplacement.

Conditions et exclusions

La garantie de Krups ne s'applique qu'aux États-Unis, au Canada et au Mexique et n'est valable que sur présentation d'une preuve d'achat. Le produit peut être déposé directement en personne, à un centre de service autorisé ou peut être adéquatement emballé et retourné par courrier recommandé (ou d'autres méthodes d'expédition similaires), à un centre de service autorisé. La liste complète des centres de service autorisés de chaque pays, ainsi que leurs coordonnées complètes, est disponible sur le site de Krups (www.krups.com) ou en appelant au numéro de téléphone approprié, tel que précisé sur la liste ci-dessous, pour obtenir l'adresse postale appropriée.

Krups ne sera pas obligée de réparer ou d'échanger un produit qui ne serait pas accompagné d'une preuve d'achat valide.

Cette garantie ne couvre pas les dommages encourus à la suite d'une mauvaise utilisation, d'une négligence, du non-respect des instructions d'utilisation et d'entretien, de l'utilisation avec une alimentation électrique non conforme à celle spécifiée sur la plaque signalétique ou d'une modification ou d'une réparation non autorisée du produit. Elle n'inclut également pas l'usure normale du produit, ni l'entretien ou le remplacement de pièces de pièces d'usure, ni les cas suivants :

- utilisation d'une eau ou d'un consommable non adaptés
- entartrage (tout détartrage doit être réalisé conformément aux instructions précisées dans le mode d'emploi)
- infiltration d'eau, de poussière, d'insectes, dans le produit
- dommages mécaniques ou surcharge
- dommages ou mauvais résultats dus à un mauvais voltage ou une mauvaise fréquence

- tous accidents liés à un feu, une inondation, la foudre, etc.
- usage professionnel ou commercial
- verre ou céramique endommagé

Cette garantie ne s'applique pas aux produits trafiqués ou aux dommages encourus à la suite d'une mauvaise utilisation ou d'un mauvais entretien, aux problèmes au niveau de l'emballage effectué par son propriétaire ou d'une manutention inadéquate de la part du transporteur.

La garantie du fabricant Krups ne s'applique qu'aux produits achetés et utilisés aux États-Unis, au Canada et au Mexique. En cas d'utilisation dans un autre pays que celui de l'achat :

- a) La durée de la garantie de Krups est celle du pays d'utilisation du produit, y compris dans le cas où le produit aurait été acquis dans l'un des pays listés, avec une durée de garantie différente.
- b) La garantie de Krups ne s'applique pas en cas de non-conformité du produit aux normes locales, tels que le voltage, la fréquence électrique, le type de prise électrique ou toute autre spécification locale.
- c) Le processus de réparation du produit acheté à l'extérieur du pays d'utilisation, pourrait exiger une période de réparation supérieure aux conditions locales, si le produit n'est pas vendu par Krups dans le pays d'emploi.
- d) Au cas où le produit ne serait pas réparable dans le pays d'emploi, la garantie de Krups est limitée au remplacement par un produit équivalent ou un produit alternatif de même valeur si c'est possible.

Droits légaux des consommateurs

Cette garantie de Krups n'affecte ni les droits légaux dont bénéficie tout consommateur, qui ne sauraient être exclus ou limités, ni les droits légaux envers le commerçant où le consommateur a acheté le produit. Cette garantie donne au consommateur des droits spécifiques et le consommateur peut par ailleurs bénéficier des droits particuliers en fonction du pays, de l'État ou de la province. Le consommateur peut faire usage de ces droits à sa discrétion exclusive.

Informations supplémentaires

Les accessoires, pièces d'usure et autres pièces remplaçables directement par l'utilisateur, peuvent être achetées, si elles sont disponibles localement, tel que décrit sur le site internet de Krups / www.krups.com.

| | | | | | |
|---------------|---|---------------|--|---------------|---|
| CANADA | GROUPE SEB CANADA 345 Passmore Avenue Toronto, ON M1V 3N8 | MEXICO | Groupe SEB MEXICO S.A. de C.V. Goldsmith 38 Desp. 401 Col. Polanco Delegacion Miguel Hidalgo 11 560 Mexico D.F. MEXICO | U.S.A. | GROUPE SEB USA 2121 Eden Road Millville, NJ 08332 |
| | 1-800-418-3325 | | 01800 1128325 | | 800-526-5377 |

 : www.krups.com

DESCRIPCIÓN

| | | | |
|----------|----------------------------|----------|---|
| A | Carcasa principal | K | Botón de Encendido y Apagado |
| B | Tapa superior | L | Botón de activación de modo automático |
| C | Depósito de agua | M | Testigo de encendido (rojo) |
| D | Indicador de nivel de agua | N | Testigo de modo automático activado (verde) |
| E | Tapa de la jarra | O | Botón de programación |
| F | Asa de la jarra | P | Botón de ajuste de las horas del reloj |
| G | Jarra | Q | Botón de ajuste de los minutos del reloj |
| H | Placa calefactora | R | Pantalla |
| I | Portafiltro | S | Cuchara |
| J | Filtro permanente | | |

PAUTAS DE SEGURIDAD IMPORTANTES

Cuando se utilicen aparatos eléctricos, deberán observarse siempre ciertas pautas de seguridad básicas a fin de evitar posibles riesgos de incendio, electrocución y lesiones físicas. Además, deberán tenerse en cuenta las advertencias siguientes:

1. Lea todas las instrucciones antes de utilizar por primera vez el producto.
2. No toque las superficies calientes del aparato. No toque la placa calefactora ni la parte inferior de la jarra mientras la función de mantenimiento de la temperatura esté activada. Utilice las asas o empuñaduras previstas a tal efecto.
3. Para evitar posibles riesgos de incendio, electrocución y lesiones físicas, no sumerja el cable de alimentación, su enchufe o el aparato en agua ni en ningún otro líquido.
4. Este producto no ha sido diseñado para ser utilizado por niños.
5. Deberán extremarse la vigilancia cuando el aparato sea utilizado por o cerca de niños.
6. Este aparato no ha sido diseñado para ser utilizado por niños ni por ninguna persona que no cuente con la experiencia o los conocimientos necesarios, a menos que esté supervisada o haya recibido instrucciones referentes a la utilización del aparato por parte de una persona responsable de su seguridad.
7. Deberán supervisarse los niños para asegurarse de que no jueguen con el aparato.
8. Existe riesgo de quemaduras en caso de tocar la placa calefactora del aparato mientras aún esté caliente o de una exposición directa al agua o vapor calientes emitidos por el aparato. Extreme las precauciones.
9. Desenchufe el aparato de la toma de corriente cuando no lo esté utilizando, así como antes de limpiarlo. Espere a que el aparato se haya enfriado antes de instalar o retirar cualquiera de sus elementos, proceder a su limpieza o almacenarlo.

10. Todos los aparatos han sido sometidos a un control de calidad exhaustivo. Asimismo, en fábrica se llevan a cabo pruebas prácticas utilizando aparatos seleccionados de manera aleatoria y, por lo tanto, es posible que se observen en el aparato algunas manchas leves o residuos de café tras haberlo adquirido.
11. No utilice ningún aparato cuyo enchufe o cable de alimentación esté dañado, ni si el aparato no funciona como es debido o está dañado en modo alguno. Lleve el aparato a su servicio de asistencia técnica Krups más cercano o al departamento de servicio al consumidor de su respectivo país para que lo examinen y efectúen las reparaciones o ajustes que sean necesarios.
12. Para evitar en lo posible cualquier riesgo de lesiones físicas, no tienda el cable de alimentación sobre una mesa o encimera donde los niños puedan tirar de él o tropezar de manera fortuita.
13. No permita que el cable de alimentación cuelgue del borde de una mesa o encimera, ni que haga contacto con superficies calientes.
14. La utilización de accesorios o elementos no recomendados por Krups podría suponer un peligro de incendio, electrocución o provocar lesiones físicas.
15. No utilice el aparato en exteriores.
16. No lo coloque sobre, o cerca de una hornilla de gas o eléctrica ni en un horno aún caliente.
17. Para desconectar el aparato, desplace el mando de control hasta su posición de apagado "Off" y retire el enchufe de la toma de corriente mural. No tire directamente del cable para desenchufar el aparato. Sujete el enchufe y extráigalo de la toma de corriente.
18. No utilice el aparato para propósitos diferentes al previsto por el fabricante.
19. No vierta en el depósito del aparato ningún otro líquido que no sea agua o el producto descalcificador especificado en este manual.
20. Proteja el aparato de entornos húmedos, así como de heladas.
21. Este aparato ha sido diseñado únicamente para uso doméstico.
22. La jarra ha sido diseñada para ser utilizada únicamente con este aparato. Nunca deberá utilizarse sobre una hornilla.
23. No deposite la jarra caliente sobre una superficie húmeda o fría.
24. No utilice la jarra si presenta grietas, desconchaduras o bien su asa está suelta o dañada en modo alguno.
25. No limpie la jarra ni el depósito utilizando limpiadores químicos, estropajos metálicos u otros materiales abrasivos.
26. Existe riesgo de quemaduras si se abre la tapa durante los ciclos de preparación del café.
27. Mientras el aparato esté llevando a cabo el ciclo de preparación del café o el proceso de descalcificación, procure no retirar la tapa y asegúrese de que esté correctamente cerrada.

CONSERVE ESTAS INSTRUCCIONES

¡PRECAUCIÓN!

Este aparato ha sido diseñado únicamente para uso doméstico. Cualquier reparación más allá de las tareas de limpieza y mantenimiento a efectuar por el usuario deberá confiarse a su servicio de asistencia técnica autorizado Krups más próximo. Visite nuestra página web www.krupsusa.com de los EE. UU. o www.krups.ca de

Canadá o póngase en contacto con el departamento de servicio al consumidor de su país o con su servicio de asistencia técnica más cercano.

Para evitar en lo posible cualquier riesgo de incendio o electrocución, no intente desarmar el aparato.

Cualquier reparación que sea necesaria deberá confiarse únicamente a un servicio de asistencia técnica autorizado Krups.

INSTRUCCIONES REFERENTES A LA LONGITUD DEL CABLE DE ALIMENTACIÓN SUMINISTRADO CON EL APARATO

- A.** No se recomienda utilizar alargaderas de corriente con este aparato. El aparato se suministra con un cable de alimentación de escasa longitud para evitar que pueda enredarse o sea posible tropezarse con él de manera fortuita; como podría ocurrir con cables más largos.
- B.** En caso de que no pueda evitarse utilizar una alargadera de corriente,
 - 1) el amperaje de la alargadera indicado en su cable deberá ser como mínimo equivalente al amperaje del aparato.
 - 2) Todo cable de gran longitud deberá tenderse de modo que no arrastre encima ni cuelgue de una mesa o encimera donde los niños puedan tirar de él o tropezar de manera fortuita.
- C.** será eso posible utilizar alargaderas de corriente siempre y cuando se toman las debidas precauciones.
- D.** Este aparato cuenta con un enchufe de polaridad fija (una clavija es más ancha que la otra). Para reducir el riesgo de descarga eléctrica, este enchufe está diseñado para encajar solo de una manera en una toma de corriente con toma a tierra. Si el enchufe no encaja por completo en la toma de corriente, invierta la posición del enchufe. Si aún así sigue sin encajar, póngase en contacto con un técnico electricista. No intente modificar el enchufe en modo alguno.

En su continuo afán de optimización de productos, Krups se reserva el derecho a modificar las especificaciones del producto sin previo aviso.

INSTRUCCIONES PRELIMINARES A LA PRIMERA UTILIZACIÓN DEL APARATO

- Extraiga la cafetera de su caja y retire los elementos de embalaje, así como cualquier otro elemento que no forme parte del producto (pegatinas, ataduras, etc.)
- Lave los elementos desmontables del aparato en agua jabonosa caliente.
- Haga funcionar su cafetera por primera vez sin añadir café; es decir, utilizando 1 l de agua para enjuagar su circuito.

AJUSTE DEL RELOJ

1. Mantenga pulsado el botón de ajuste de las Horas (**P**) durante 2 segundos para ajustar el valor de la hora que corresponda.
2. Seguidamente, mantenga pulsado el botón de ajuste de los Minutos (**Q**) durante 2 segundos para ajustar el valor de los minutos que correspondan.

En el lado izquierdo de la pantalla del aparato se mostrarán las indicaciones AM o PM según corresponda. Será necesario pulsar reiteradamente el botón de las Horas para hacer avanzar el valor indicado y hacer que el testigo indique AM o PM según convenga. La hora estará configurada una vez que la indicación del reloj deje de parpadear.

CONSEJOS E INFORMACIONES ÚTILES

Una vez ajustado el reloj, continuará indicando la hora correcta incluso tras haber apagado su cafetera. No obstante, la indicación del reloj volverá a ponerse a cero si se desenchufa la cafetera de la red eléctrica o se produce una interrupción del suministro eléctrico. De darse este caso, repita las instrucciones indicadas anteriormente para volver a ajustar el reloj.

CÓMO PREPARAR CAFÉ

1. Coloque la cafetera sobre una superficie firme y plana. Asegúrese de que el interruptor de la cafetera se encuentra en posición de apagado y enchúfela a una toma de corriente de 120 V.
2. Llene la jarra con agua limpia y fresca (preferentemente agua embotellada o filtrada). Abra la tapa abrisagrada y vierta el agua en el depósito del aparato. El número de tazas que podrán prepararse se muestra en el indicador de nivel de agua. No exceda el nivel máximo indicado (Fig. 1, 2 y 3).

Nota:

- La cantidad de café preparado será inferior al volumen de agua con que se haya llenado la cafetera, ya que las granzas del café y el filtro absorben aproximadamente el 10%.
3. Coloque la jarra con su tapa sobre la placa calefactora (**H**), asegurándose de que está correctamente ubicada sobre la placa de manera que el mecanismo de vertido esté activado.



¡PRECAUCIÓN! Para evitar que el agua rebose por el portafiltro, deberá asegurarse de que la jarra está correctamente encajada en la cafetera con su tapa puesta. De no estar correctamente colocada sobre la placa calefactora, podría rebosar agua o café caliente del aparato.

4. Abra la tapa de la cafetera **(B)**, coloque el portafiltro en su sitio **(I)** sujetándolo por sus dos asas laterales. Asegúrese de que esté encajado a fondo y bloqueado correctamente en su sitio. A continuación, coloque un filtro cónico de papel estándar de tamaño 4 o el filtro permanente **(J)** en el portafiltro **(I)**. Utilice un nuevo filtro de papel o limpie el filtro permanente cada vez que prepare una jarra de café (Fig. 4 y 5).
5. Añada aproximadamente 10 cucharadas rasas **(S)** de café molido para un total de 12 tazas. Pruebe con diferentes cantidades de café hasta obtener la intensidad de sabor deseada (Fig. 6).
6. Cierre la tapa superior, asegurándose de que ha quedado bien encajada en su sitio (Fig. 7).
7. Pulse el botón de encendido/apagado **(K)**. El testigo **(M)** se iluminará para indicar que se ha iniciado el ciclo de preparación del café.



¡PRECAUCIÓN! La cafetera alcanza temperaturas muy elevadas durante el ciclo de preparación del café. Manipúlela con cuidado.

Nota: Si lo desea, podrá apagar la cafetera en cualquier momento durante el ciclo de preparación del café con tan solo pulsar el botón de encendido/apagado **(K)**. Ningún testigo **(M)** permanecerá iluminado, por lo cual, la cafetera estará apagada.

8. Una vez finalizado el ciclo de preparación del café, el testigo de encendido **(M)** permanecerá iluminado y se activará la función de mantenimiento de la temperatura. La válvula antigoteo del aparato evitará que cualquier resto de café gotee sobre la placa calefactora caliente. Asegúrese de volver a colocar la jarra sobre la placa calefactora una vez servido el café.

Notas: Una vez completado el ciclo de preparación del café, seguirá habiendo líquido caliente en la canastilla del filtro. Espere unos minutos hasta que el resto del café termine de gotear en la jarra.

- La función de mantenimiento de la temperatura permanecerá activada durante un intervalo máximo de dos horas. Mientras dure el ciclo de mantenimiento de la temperatura, el testigo de encendido **(M)** permanecerá iluminado. Si lo desea, podrá interrumpir en cualquier momento el ciclo de mantenimiento de la temperatura pulsando el botón de encendido/apagado **(K)**. El testigo de encendido **(M)** se apagará.
9. Abra la tapa superior y, con cuidado, retire el portafiltro sujetándolo por sus dos lengüetas laterales. Deseche el filtro de papel usado y las granzas de café. Si utiliza el filtro permanente, lávelo inmediatamente (véase la sección titulada "**LIMPIEZA**") (Fig. 9 y 10).

Nota:

- Si se desea preparar de manera consecutiva dos o más jarras de café, se recomienda esperar 3 minutos entre cada preparación a que la cafetera se haya enfriado lo suficiente.

Apagado automático

Para mayor conveniencia, su cafetera incorpora una función de apagado automático. Una vez completado el ciclo de preparación del café, la cafetera se apagará de forma automática al cabo de 2 horas.

CÓMO PROGRAMAR SU CAFETERA

Configuración de la función de encendido automático

1. Asegúrese primero de que el reloj del aparato esté correctamente ajustado a la hora actual. Si la hora indicada no es la correcta, siga las instrucciones proporcionadas en la sección titulada "**AJUSTE DEL RELOJ**".
2. Siga los pasos 1 a 7 indicados anteriormente en la sección titulada "Cómo preparar café".
3. Pulse el botón de Programación (**O**).
4. Utilice los botones de ajuste de las Horas (**P**) y Minutos (**Q**) para configurar la hora deseada para que se inicie la preparación del café (véase la sección titulada "**AJUSTE DEL RELOJ**"). Tenga en cuenta los indicadores de AM y PM situados en el lateral izquierdo.
5. Pulse el botón de activación de modo automático (**L**). El testigo de modo automático activado (**N**) se iluminará para indicar que su cafetera está programada. El reloj digital seguirá indicando la hora actual.
6. Una vez alcanzada la hora programada para el encendido automático, la cafetera iniciará automáticamente el ciclo de preparación del café. El testigo de encendido (**M**) se iluminará para indicar que la cafetera ha iniciado el ciclo de preparación del café. El testigo de modo automático activado (**N**) se apagará.
7. Para cancelar un ciclo de preparación del café previamente programado, pulse el botón de activación de modo automático (**L**); el ciclo programado estará cancelado cuando el testigo de modo automático activado (**N**) no esté iluminado. Para mayor conveniencia, su cafetera recordará la hora programada para que se inicie el ciclo de preparación de café. Le bastará con pulsar el botón de activación de modo automático (**L**) para activar el ciclo de preparación del café programado. Para modificar la hora programada para que se inicie el ciclo de preparación del café, repita los pasos 3 a 7 anteriormente indicados.

CONSEJOS E INFORMACIONES ÚTILES

Si lo desea, podrá apagar la cafetera o interrumpir su ciclo de funcionamiento en cualquier momento durante el ciclo de preparación del café con tan solo pulsar el botón de encendido/apagado **(K)**. Ningún testigo permanecerá iluminado, por lo cual, la cafetera estará apagada.

Función de pausa y servicio

- Esta función le permite interrumpir el ciclo de preparación del café para servir una taza antes de que se haya utilizado toda el agua del depósito.
- Si bien esta función impedirá provisionalmente que el café siga goteando en la jarra, no interrumpirá el ciclo de preparación del café. Tras servir la taza, deberá colocarse de nuevo inmediatamente la jarra sobre la placa calefactora para evitar que el portafiltro rebose. Asegúrese de que la jarra esté encajada a fondo hacia la parte posterior de la cafetera. Cuando utilice esta función, no retire la jarra de la cafetera durante un intervalo superior a 20 segundos.
- Se recomienda utilizar esta función cuando la jarra se haya llenado hasta su mitad o algo menos para así garantizar que se mantiene la calidad del café preparado.
- La función de mantenimiento de la temperatura seguirá activada en tanto el aparato esté encendido y se apagará automáticamente al cabo de 2 horas.

CONSEJOS E INFORMACIONES ÚTILES

Si bien la función de pausa y servicio resulta especialmente útil para servir una taza de café a mitad del ciclo de preparación, recomendamos que espere hasta que el ciclo de preparación haya finalizado, ya que la intensidad y aroma del café vertido a mitad del ciclo no será el mismo.

LIMPIEZA

- Para eliminar las granzas del café tras su preparación, retire el portafiltro de la cafetera. - Consulte la Fig. 9.
- Desenchufe el aparato de la red eléctrica.
- No limpie el aparato mientras aún esté caliente.
- Lave la jarra, su tapa y el portafiltro desmontable en agua jabonosa caliente, o bien en la cesta superior del lavavajillas.

NOTA: no lave ningún otro elemento de la cafetera en el lavavajillas.

- Limpie el resto del aparato con un paño suave o esponja ligeramente húmeda. Nunca utilice detergentes fuertes o limpiadores abrasivos en ninguna zona de la cafetera.
- Para limpiar los elementos de acero inoxidable de su cafetera, páseles un paño suave o esponja humedecida con agua caliente y escurra bien cualquier exceso de agua. Limpie la superficie de acero inoxidable frotando en la dirección de las marcas de pulido. Seguidamente, séquela bien y abrillántela con un paño suave y seco.
- Para eliminar las manchas difíciles, utilice un estropajo de plástico o paño humedecido con vinagre.
- Nunca sumerja el aparato en agua ni lo limpie bajo el grifo.

DESCALCIFICACIÓN

- A menudo se producen acumulaciones de cal en las cafeteras de goteo. Dichas acumulaciones son un fenómeno normal debido a los minerales normalmente presente en el agua potable. Por lo tanto, será necesario limpiar su cafetera a intervalos periódicos para eliminar aquellas acumulaciones de cal o depósitos minerales que puedan haberse formado. Sabrá enseguida cuando ha llegado el momento de descalcificar su aparato en cuanto observe que el ciclo de preparación del café se prolonga más de la cuenta.
- Le recomendamos descalcificar el aparato utilizando una solución de agua fría y vinagre blanco, o bien un producto descalcificador adecuado. Una solución a base de dos cucharadas soperas de vinagre blanco en una jarra llena de agua fría proporcionará los mejores resultados. Vierta dicha solución en el depósito de agua y siga las instrucciones para una utilización normal pero sin colocar un filtro en la cesta portafiltros.
- Una vez completado el ciclo de preparación, vacíe la jarra y enjuáguela con agua. Vuelva a llenar el depósito con agua fría y repite a el ciclo de preparación un par de veces, pero solo con agua. De esta manera se enjuagará el circuito y se eliminará cualquier resto de vinagre.
- Se recomienda encarecidamente descalcificar su cafetera siempre que se observe una prolongación del ciclo de preparación o una emisión excesiva de vapor. La frecuencia con que será necesario descalcificar el aparato dependerá de la dureza del agua abastecida a su zona. Si el agua es dura, recomendamos descalcificar el aparato aproximadamente cada 40 ciclos de preparación de café.

RESOLUCIÓN DE PROBLEMAS

| PROBLEMA | SOLUCIÓN |
|--|--|
| La cafetera no prepara el café o no se enciende. | <ul style="list-style-type: none"> ■ Asegúrese de que el aparato esté enchufado a una toma de corriente que funcione y que el interruptor esté en la posición de encendido "ON". ■ El depósito de agua está vacío. ■ Puede que se haya producido un corte de suministro eléctrico. ■ Puede que se haya producido una subida de tensión. Desenchufe el aparato y vuelva a enchufarlo. ■ Será necesario volver a ajustar el reloj tras haberse producido una interrupción del suministro eléctrico. ■ La función de apagado automático ha apagado la cafetera. Apague la cafetera y, a continuación, vuelva al encenderla para preparar más café. Si desea obtener información complementaria al respecto, consulte la sección titulada "Cómo preparar café". |
| Se observan fugas en el aparato. | <ul style="list-style-type: none"> ■ Asegúrese de no haber llenado el depósito por encima del nivel máximo indicado. |
| La cafetera tarda demasiado en preparar el café. | <ul style="list-style-type: none"> ■ Puede que sea necesario descalcificar la cafetera. ■ Podrán haberse acumulado diferentes depósitos minerales en el circuito de la cafetera. ■ Se recomienda descalcificar el aparato a intervalos periódicos. Es posible que sea necesario descalcificar el aparato con mayor frecuencia en función de la dureza del agua abastecida a su zona. Si desea obtener información complementaria al respecto, consulte la sección titulada "Descalcificación". <p>NOTA: no desarme el aparato.</p> |
| El Filtro permanente (J) ha rebosado o el café gotea con demasiada lentitud. | <ul style="list-style-type: none"> ■ Es necesario descalcificar la cafetera. ■ Cantidad excesiva de café. Se recomienda que utilice una cuchara de medición o una cucharada sopera de café molido por cada taza que se desee preparar. ■ El café molido es demasiado fino (el café molido indicado para máquinas de café exprés no es adecuado para cafeteras por goteo). |
| El Filtro permanente (J) ha rebosado o el café gotea con demasiada lentitud. | <ul style="list-style-type: none"> ■ Hay presente cierta cantidad de granzas entre el filtro de papel filtro permanente y el portafiltro (I). ■ El filtro de papel no está correctamente abierto o posicionado. ■ Enjuague el portafiltro (I) antes de colocar el filtro de papel, de manera que sus cantos se adhieran a las paredes húmedas del filtro. ■ Hay más de un filtro de papel instalado en el portafiltro (I). |

| PROBLEMA | SOLUCIÓN |
|---|--|
| El café preparado tiene mal sabor. | <ul style="list-style-type: none"> ■ Es necesario descalcificar la cafetera. ■ El café molido utilizado no es el adecuado para este tipo de cafetera. ■ La cantidad de café en relación al volumen de agua utilizado es inadecuada. Ajústela según sus preferencias. ■ La calidad y frescura del café utilizado no es del todo óptima. ■ El agua utilizada es de escasa calidad. Utilice agua filtrada o embotellada. |
| No es posible cerrar correctamente la tapa superior de la cafetera | <ul style="list-style-type: none"> ■ Compruebe que el portafiltro está correctamente encajado en su sitio ■ El portafiltro es demasiado ancho: utilice únicamente filtros de papel del tamaño adecuado |
| Gotea café en la placa calefactora al retirar la jarra de la cafetera | <ul style="list-style-type: none"> ■ Vuelva a colocar cafetera sobre la placa calefactora; el mecanismo de la función pausa y servicio está obstruido. Espere a que el portafiltro se haya vaciado totalmente de agua. Limpie el portafiltro |
| A cada utilización, el reloj indica 12:00 | <ul style="list-style-type: none"> ■ Ajuste el reloj a la hora actual (consulte la sección titulada "Ajuste del reloj"). La hora ajustada se perderá si se desenchufa el aparato de la red eléctrica o se produce una interrupción del suministro eléctrico. |
| No se pueden introducir los parámetros deseados para la programación automática | <ul style="list-style-type: none"> ■ Ajuste el reloj a la hora actual (consulte la sección titulada "Ajuste del reloj") |
| La función de encendido automático no se inicia a la hora seleccionada | <ul style="list-style-type: none"> ■ Compruebe el ajuste del reloj ■ Compruebe la hora de inicio programada, así como los indicadores de AM y PM |
| No gotea café en la jarra | <ul style="list-style-type: none"> ■ Asegúrese de haber llenado el depósito de agua ■ El aparato está apagado |

Si tras estas comprobaciones su aparato sigue sin funcionar correctamente, póngase en contacto con el departamento de servicio al consumidor de su país.

GARANTÍA DEL FABRICANTE

 : www.krups.com

Comprometidos fuertemente con el medio ambiente, la mayoría de los productos Krups son reparables durante y posteriormente al periodo de garantía. Antes de regresar cualquier producto al sitio de venta, por favor llame directamente a servicios al consumidor de Krups, para conocer las opciones de reparación, al número indicado abajo.

Apreciamos su ayuda para preservar el medio ambiente!

Garantía

Krups garantiza este producto por **2 años** contra cualquier defecto de fabricación tanto en materiales como en mano de obra, a partir de la fecha de compra.

La garantía del fabricante Krups, es un beneficio extra que no afecta los derechos legales del consumidor.

La garantía Krups cubrirá todos los gastos relacionados con la reparación de los productos defectuosos hasta que cumplan con sus especificaciones originales, mediante la reparación o reemplazo de cualquier pieza defectuosa y la mano de obra necesaria para ello. A criterio de Krups, en lugar de la reparación, podría hacer cambio de producto. Incluyendo solo para México, los gastos de transportación razonablemente erogados para el cumplimiento de esta garantía, exclusivamente para aquellos sitios donde no se cuente con un centro de servicio autorizado. La única obligación de Krups y su exclusiva determinación bajo esta garantía se limita a la reparación o reemplazo del producto.

Condiciones y exclusiones

La garantía Krups, aplica solamente en Estados Unidos de Norteamérica, Canadá y México, y será válida solamente con la presentación del comprobante de compra.

El producto puede ser llevado directamente a un centro de servicio autorizado, o debidamente empacado y devuelto, mediante servicio de mensajería autorizada (o servicio de paquetería equivalente), al centro de servicio autorizado de Krups. Detalles y dirección completa de los centros de servicio autorizados de cada país, se encuentran listados en la dirección electrónica de Krups (www.krups.com) o bien llamando al número telefónico de cada país indicado abajo, para solicitar la dirección correspondiente.

Krups no está obligado a reparar o reemplazar ningún producto el cual no sea acompañado de su comprobante de compra.

Esta garantía no cubre ningún daño que pudiera ocurrir como resultado de mal uso, negligencia, o no haber seguido las instrucciones de uso establecidas por Krups, uso de corriente o voltaje diferente al indicado en el producto, o una modificación o reparación no autorizada del mismo. Tampoco cubre el desgaste o deterioro normal del producto, ni el reemplazo de componentes consumibles, ni lo siguiente:

- uso de tipo incorrecto de agua cualquier otro producto inadecuado
- sarro (la eliminación de sarro (residuos calcáreos) deberá ser llevada a cabo de acuerdo a las instrucciones de uso)
- ingreso de agua, polvo o insectos al interior del producto

- daños mecánicos, sobrecargas
- accidentes incluyendo fuego, inundaciones, rayos, etc.
- uso comercial o profesional
- daños en componentes de vidrio o cerámicos en el producto

Esta garantía no aplica a ningún producto si ha sido intervenido, o presenta daños derivados de uso o cuidado incorrecto, mal empacado por el propietario o mal manejo por parte del servicio de paquetería.

La garantía Krups, aplica solo a los productos comprados en Estados Unidos de Norteamérica, Canadá y México, cuando un producto es comprado en un país y usado en otro diferente:

- a) La duración de la garantía Krups es la correspondiente al país donde se utilice el producto, aún cuando la duración de la garantía donde haya sido comprado el producto dentro de los países listados, sea diferente.
- b) La garantía Krups no aplica en caso de no conformidad del producto comprado con los estándares locales, tales como voltaje, frecuencia, contactos eléctricos, u otras especificaciones técnicas.
- c) El proceso de reparación de un producto comprado fuera del país de uso, puede necesitar de un tiempo mayor si el producto no es vendido localmente.
- d) En caso de que el producto no sea reparable en el nuevo país, la garantía Krups se limita al reemplazo por un producto similar, o un producto alternativo de costo similar, dentro de lo posible.

Derechos establecidos por la ley al Consumidor

Esta garantía Krups, no afecta los derechos establecidos por la ley que el consumidor pudiera tener o aquellos derechos que no pueden ser excluidos o limitados, tampoco los derechos contra el distribuidor al que el consumidor le haya comprado el producto. Esta garantía proporciona al consumidor derechos legales específicos, y el consumidor podrá tener también otros derechos legales los cuales varían de Estado a Estado o de País a País o de Provincia a Provincia. El consumidor podrá hacer valer esos derechos a su discreción.

Información adicional

Accesorios, consumibles y piezas reemplazables pueden ser compradas si localmente se encuentran disponibles, como se describe en el sitio de internet de Krups.

| | | | | | |
|---------------|---|---------------|--|---------------|---|
| CANADA | GROUPE SEB CANADA 345 Passmore Avenue Toronto, ON M1V 3N8 | MEXICO | Groupe SEB MEXICO S.A. de C.V. Goldsmith 38 Desp. 401 Col. Polanco Delegacion Miguel Hidalgo 11 560 Mexico D.F. MEXICO | U.S.A. | GROUPE SEB USA 2121 Eden Road Millville, NJ 08332 |
| | 1-800-418-3325 | | 01800 1128325 | | 800-526-5377 |

 : www.krups.com

English.....p 1

Français.....p 11

Español.....p 22