

Please read and save these instructions. Read carefully before attempting to assemble, install, operate or maintain the product described.

Protect yourself and others by observing all safety information. Failure to comply with instructions could result in personal injury and / or property damage! Retain instructions for future reference.

AMERICOOOL by WELTEM

Water Cooled Portable air Conditioner

Description

WELTEM Water-cooled Portable Air Conditioner feature spot cooling for large areas where cooling of the entire area is not practical. A dedicated spot cooling thermostat controls the unit in this application.

Water-cooled air conditioner does not discharge exhaust heat. So it can also be used for room cooling. And it is space-efficient because it doesn't need to have hot air duct.

In addition, It can be installed by connecting water line easily without installation of duct.

Automatic water adjust valve control condenser water flow rate according to inlet water temperature. It helps to supply proper condensing water to unit.

A control panel provides ease of use and contains a self-diagnostic function and display, showing operating modes, room and set temperatures and faults. If an abnormal operation occurs, a visual display of the fault is shown. Caster wheels are included for easy portability. Water Hose kit of 25ft is allows for convenient installation and portability. (Hose kit is sold separately.) Suitable applications include : a factory or work place, industrial kitchen, emergency cooling etc,

Unpacking

After unpacking the unit, carefully inspect unit for any damage that may have occurred during transit. Check for any loose, missing, or damaged parts.

WPW-4000
Figure 1



Table of Contents

SPECIFICATION.....	3
GENERAL SAFETY INFORMATION.....	4
ASSEMBLY.....	6
Component Parts	
Power Cord Holder	
Cool Air Duct Assembly	
Water Coupler	
Hose Kit (Sold separately)	
INSTALLATION GUIDE.....	8
Moving the Unit	
Plugging the Unit	
OPERATION.....	9
Control Panel	
MAINTENANCE.....	10
Filter Cleaning	
WIRING DIAGRAM.....	13
TROUBLESHOOTING	14
LIMITED WARRANTY.....	16

Thank you for selecting this AmeriCool by Weltem Water-cooled Portable air Conditioner. It provides you with spot cooling for large areas where cooling of an entire area is not practical or possible. **Please read this manual** before installing the WPW-4000 as it provides important information that should be followed during installation and maintenance of the Water-cooled Portable Conditioner, allowing you to correctly set up your system for the maximum safety and performance. Included is information on customer support and service, if it is required. If you experience a problem with the unit, please refer to the Troubleshooting section in this manual to correct the problem. If the problem is not corrected, please collect information so that the Technical Support personnel can more effectively assist you.

Specifications

Model No.	Power Supply Ph-V-Hz	Cooling Capacity Btu/h	Power Consumption Watts	Rated Current Amps
WPW-4000	Single Phase, 115V, 60Hz	16,000	1100	11.9
Model No.	Nema Plug	Power Cord Gauge AWG	Power Cord Length ft	EER Btu/Wh
WPW-4000	5-15P	14	10	14
Model No.	Dimensions W x D x H - in. (mm)	Weight (Net / Gross) Lbs(kg)		Ambient temperature range °F(°C)
WPW-4000	20.6 x 26.4 x 41 (523 x 671 x 1042)	185 / 201 lbs. (84 / 91 kg)		64~122 (18~50)
Model No.	Condenser Water Flow (GPM) 54 °F Inlet	Condenser Water Flow (GPM) 74 °F Inlet	Condenser Water Flow (GPM) 86 °F Inlet	
WPW-4000	0.56	0.84	1.36	
Model No.	Setting temperature (Room cool mode) °F(°C)		Setting temperature (Spot cool mode) °F(°C)	
WPW-4000	64~86 (18~30)		32~86 (0~30)	
Model No.	Application Area (Room cool mode) ft ² (m ²)	Refrigerant Type / oz(g)	Design Pressure - Hi/ Low Psig	
WPW-4000	410 (38)	R-410A / 21.2(600)	465 / 250	
Model No.	Indoor Air Flow (High/Low)CFM(CMM)	Wheels pcs / diameter	No. of Cool Air Outlets Pcs	Condensate tank Gallons(Liters)
WPW-4000	470 / 400 (13.3 / 11.3)	4 / 76mm	2	3.17 (12)
Safety Devices		Compressor overload protector, Anti-freezing thermister, Full drain tank switch, Automatic restart (Power interruption), Compressor time delay program, High pressure switch, Auto water adjust valve.		
Features		Temperature control, Self-diagnostic function, Two speed fan, Optional drain pump kit, Washable filters, °F(°C) display, Off-timer		

General Safety Information

Please read this manual carefully for instructions on correct installation and usage. Please read all safeguards.

1. Transport and store the unit in and upright position only. Leave unit in an upright position for at least 3 hours before first use.
2. Always place and use in the upright position the unit on an even, level surface.
3. Ensure the unit is connected to a grounded power supply of the correct rating / capacity.
4. The unit will cool when the room temperature is between 18°C (64.4°F) ~ 50°C (122°F) depending on the thermostat setting.
5. DO NOT use this unit for functions other than those described in this instruction manual.
6. DO NOT tilt the unit.
7. DO NOT cover or obstruct the unit's inlet and outlet grilles.
8. DO NOT use the unit in areas where it will be exposed to rain or water.
9. NEVER unplug the while it is operating.

▲ WARNING *DO NOT use the unit in wet environments, such as a laundry room, to avoid the risk of electrical shock.*

10. DO NOT place any foreign objects on the unit.
11. DO NOT operate the unit with wet or damp hands.
12. DO NOT allow chemical substances to come into contact with the unit.
13. DO NOT operate the unit in the presence of flammable substances or vapors such as alcohols, pesticides, gasoline, etc.

▲ WARNING *DO NOT operate the unit in explosive or flammable environments.*

14. DO NOT use the plug to start and to stop the unit. Always use the control panel to start and to stop the unit.
15. Always turn off the unit when it is not in use and unplug the power plug from the electrical outlet.
16. Always turn the unit off and unplug the main power plug from the electrical outlet before cleaning, moving or performing maintenance,
17. AVOID the use of adapter plugs or extension cords. If it is necessary to use an extension cord or an adapter plug to operate the unit, ensure that they are correctly rated for the application. Consult a local qualified electrician and all local electrical codes to ensure proper setup. Any extension cord used with this device must be rated for a minimum of 15A.
18. DO NOT unplug the unit by pulling on the electrical cord. Keep electrical cord away from heat sources and always completely unroll the cord to avoid overheating. If the power cord becomes damaged, a qualified service agent, qualified electrician, or similarly qualified person must replace it, in order to avoid a hazard or shock.

▲ WARNING *DO NOT operate a unit with a damaged power cord.*

19. The filters must be used with the product at all times. When the filters are removed for cleaning, always ensure that the unit has been turned off and unplugged from the electrical outlet.

20. Regularly clean the filters to maintain efficiency. If the filters are not cleaned regularly, the unit output performance and efficiency will decline and energy consumption will increase.
21. DO NOT operate the unit with a damaged power cord or plug, after it malfunctions, has been dropped or damaged.
22. Only use in the upright position on an even, flat surface. Unit must be positioned at least 24 inches (60cm) from the nearest object in air inlet.
23. DO NOT use while water leak or cut off water.
24. If water supply volume is small, the unit is not operated properly and main component can get damaged.
25. Stop operation immediately if abnormal noise or odor is noticed. Contact a local service center.
26. Appliance is not used by children or persons with reduced physical, sensory or mental capabilities, or lack of experience and knowledge, unless they have been given supervision or instruction.
27. Children being supervised not to play with appliance.
28. That the appliance shall be installed in accordance with national wiring regulations.
29. If the supply cord is damaged, it must be replaced by the manufacturer, its service agent or similarly qualified persons in order to avoid a hazard.

SAVE THESE INSTRUCTIONS.

Assembly Component Parts

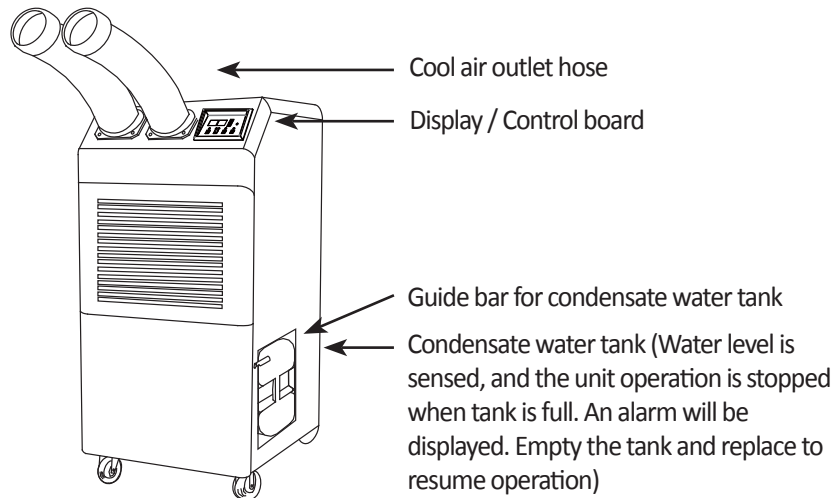


Figure 2 – Front and Right Side View

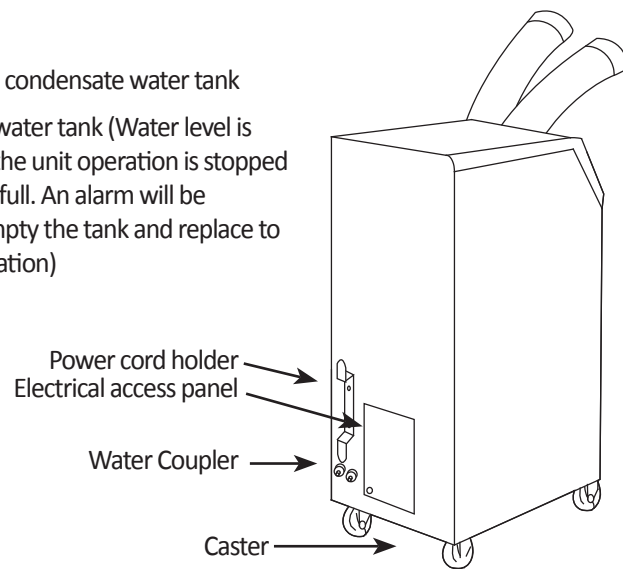


Figure 3 – Back and Left Side View

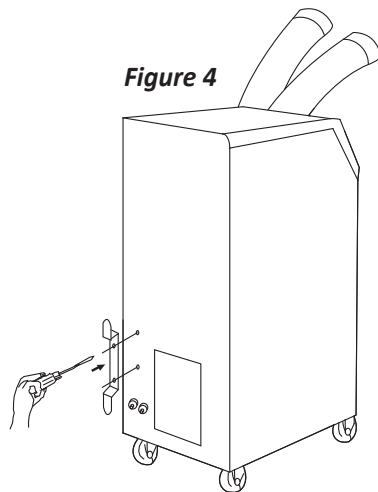


Figure 4

1. Take out the cord holder from the accessory box.
2. Place the cord holder on the left side of unit.
3. Use screws (enclosed inside of accessory box with cord holder) to install the cord holder in the unit as shown in Figure 4.

Cool Air Duct Assembly

1. Remove cool air duct assembly 2 pcs from carton.
2. Place the air duct assembly on the top front of unit.
3. Use screws (enclosed inside of box with cool air duct assembly) on the unit as shown in Figure 5.

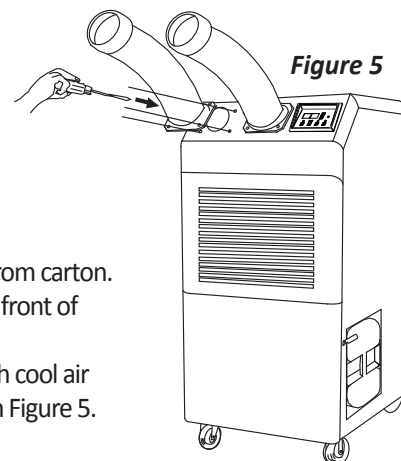
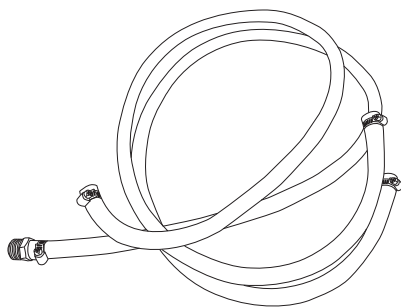
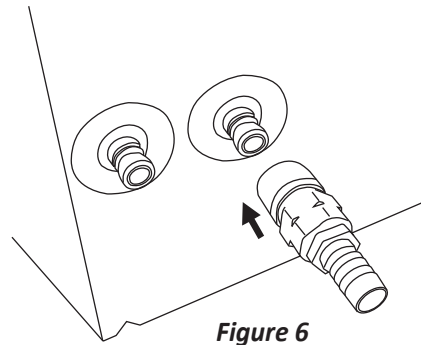


Figure 5

Water Coupler

1. Take out the coupler 2pcs (female flare) from the accessory box.
2. Female flare connects to Male flare each water inlet/outlet on the rear of unit as shown in Figure 6.



Hose kit (Sold separately; 25ft[7.5m])

1. Take out the hose 2 pcs from the accessory box.
INLET HOSE include a 3/4" hose barb for connecting plumbing (or booster pump).OUTLET HOSE is just hose.
2. Connect hose and the end of coupler and tie up by hose clamp as shown in Figure 6.

Notice Do not switch inlet and outlet hose.

▲ WARNING

When using a hose, AVOID sharp corners, hot water pipes and interruption the water flow of supply and discharge lines.
After finished connecting hose, open valve of water supply and provide water to unit.

Installation

WARNINGS REGARDING PROPER LOCATION FOR INSTALLATION

- ▲ WARNING** *Do not use the unit in explosive environments or in areas where flammable gas leakage may occur.*
- ▲ WARNING** *Do not use the unit in areas where it will be exposed to rain or water.*
- ▲ WARNING** *Do not use the unit in a corrosive atmosphere.*
- ▲ WARNING** *Do not use the unit above 18°C(64°F) ~ 50°C(122°F).*
- ▲ WARNING** *Do not install the unit on uneven or sloping surface. The unit may roll or topple over even if the casters are set to the locked position.*

MOVING THE UNIT

Unlock the casters and push the unit using the side handles to a flat, level surface and set the caster brakes to the locked position.

PLUGGING IN THE UNIT

Check the prongs and surface of the power cord plug for dust/dirt. If dust and/or dirt are present, wipe off with a clean, dry cloth.

Check the power cord, plug and prongs for damage or excess play.

If any damage or excess play is found, contact a qualified repair technician or a qualified electrician to perform replacement or repair of the power cord, plug or prongs.

- ▲ WARNING** *If the power cord or plug is damaged, repair should only be performed by qualified electrical personnel.*
- ▲ WARNING** *Do not connect / disconnect the power cord or attempt to operate buttons with wet hands. This could result in electrical shock.*

NOTE: Make sure the AC outlet is free of dirt, dust, oil, water, or any other foreign material. The unit is equipped with an approved NEMA plug configuration. (WPW-4000: 5-15P) The appropriate outlet must be used for each plug type.

Operation

CONTROL PANEL

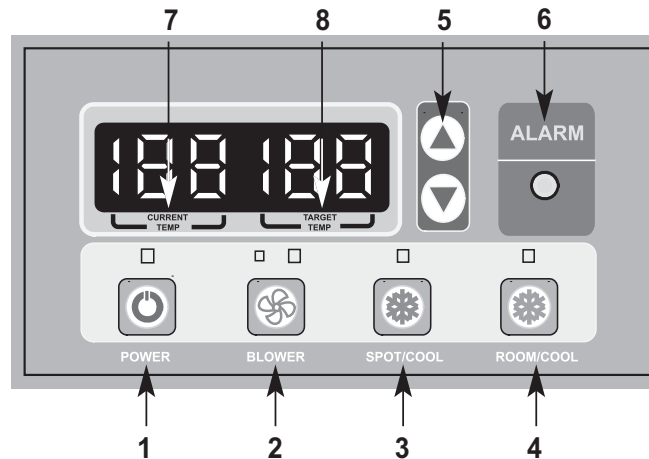


Figure 8

1. **POWER BUTTON:** Activates unit when POWER BUTTON is pressed. (Fan starts on low speed). If power button is pressed during operation, unit stops.
2. **BLOWER BUTTON:** Changes fan speed from (Low) to (High) when pressed.
3. **SPOT/COOL BUTTON:** Activates compressor and begins producing cool air 5 seconds after button is pressed. Regulates temperature based on outlet cool air temperature.
4. **ROOM/COOL BUTTON:** Activates compressor and produces cool air 5 seconds after button is pressed. Regulates temperature based on inlet ambient air temperature.
5. **SET TEMP BUTTONS:** Change target temperature/data value by +/- 1. Change data value by +/- 10 by pressing continually. Press the SET TEMP BUTTONS to set temperature. Upper button is to heighten temperature and Lower button is to lower temperature.
6. **ALARM:** Alarm indicator lights (blinks) and indicates abnormal system operation. If Alarm occurs, compressor stops. System operation stops when ALARM light is activated (blinks) longer than 3 minutes.
7. **CURRENT TEMP:** Displays current room temperature in display in Fahrenheit. (In Room Cool Mode only). SPOT/COOL Mode – Displays outlet (cool air) temperature during normal operations. In order to change °F to °C, press SPOT/COOL and ROOM/COOL buttons together for 2 seconds. C will blink 2 times and Figure will change to °C. ALARM codes blink and are displayed when abnormal operation occurs.

NOTE: Canadian version shows the temperature in Celsius first when you turn on the unit.

8. **TARGET TEMP:** displays the unit set temperature for ROOM/COOL mode only.

OFF-TIMER: Enter to Timer Setting Mode if you press BLOWER Button and SPOT/COOL Button together for 1 seconds. Press UP/DOWN Button to set the timer until it shows the figure you want to set. After 5 seconds, the figure will be memorized and the compressor will stop after the time set.

AUTO RESTART: If the unit goes off due to an electrical interruption, the unit will automatically restart when the power resumes.

Maintenance

FILTER CLEANING

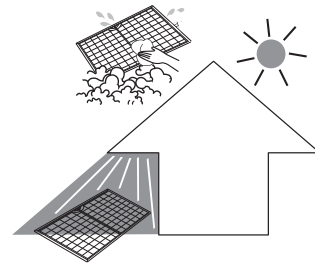
There is 1 filter in the unit. The evaporator filter is located at the front of the unit.

1. Open the front guard.
2. Slide filter up and use a vacuum cleaner to remove the dust from the filter.
3. If the filter is heavily covered with dust and dirt, warm water and mild soap or neutral detergent may be used to wash the filter. Do not use any other chemicals to clean filter, as they will likely damage the filter.
4. Dry the filter in a shaded area before replacing it. Do not operate the unit without the filter installed and the filter guard in the closed position.
5. Replace the clean filter and close the filter guard.

NOTE : For effective cooling clean the filter at least every 2 weeks.



- Pull the filter frame forward to remove the front filter.
- Slide filter up and use a vacuum cleaner to remove the dust from the filter.
- Lift up on the rear filter from the middle bar slightly and then angle the filter outwards from the bottom and remove.



- Remove dust from the filter using a vacuum cleaner hose attachment.
- If required wash the filter in lukewarm water with a mild detergent. Leave to dry in a shaded area before reinstalling.

Figure 9 – Removing Filters

Figure 10 – Removal of Dust

▲ WARNING

Do not operate without the filter fitted.

▲ WARNING

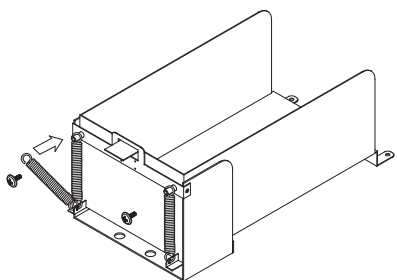
Do not operate the unit with a damaged cord or plug, after the unit malfunctions, or if the unit has been dropped or damaged.

- For your convenience, record the complete model number and product name (located on the Product Identification Plate), the purchase date, purchase location, serial number, and warranty period in the table below.
- Also, attach your purchase receipt as proof of purchase to this instruction manual for future reference.
- To ensure your product is covered by warranty, the complete faulty product along with your original purchase receipt must be provided at the place of purchase.
- To ensure your product is covered by warranty, the complete faulty product along with your original purchase receipt must be provided at the place of purchase.

Product	Portable Air Conditioner
Model No.	_____
Date of Purchase	_____
Place of Purchase	_____
Serial No.	_____
Period of Warranty	_____

Customer: Please read and keep this manual for future reference and keep sales receipt as proof of purchase.

SPRING REPLACEMENT



- There are two springs on the rear of condensate water tank guide.
1. Release the screw on the spring hook.
 2. Take off the spring hook, and then pull out the opposite spring hook from hole in the condensate water tank guide.
 3. Replace with a new spring in reverse order.
 4. Repeat this cycle for the other spring.

Figure 11 – The process of spring replacement

SELF-DIAGNOSTIC CODES *(See Table 1)*

The alarm light is activated if abnormal operation occurs, and a code is displayed on the control panel. The compressor and condenser fan motor will stop operating. The evaporator fan will continue to run for 3 minutes. If the fault is rectified within 3 minutes, the unit will resume operation. If the fault persists for more than 3 minutes, the evaporator fan also stops. The fault must be rectified before the unit can resume normal operation.








SELF-DIAGNOSTIC ALARM CODES			
Alarm Display	Problem	Cause	Corrective Action
	Frost prevention sensor and Abnormal temperature sensor value	<ul style="list-style-type: none"> Indoor heat exchanger temperature too low TH3 temperature sensor has a loose or broken connection 	<ul style="list-style-type: none"> Do not use the air conditioner if ambient temperature is lower than 18°C (64°F) Contact a qualified service agent
	Refrigerant high pressure switch	<ul style="list-style-type: none"> Blocked air filter Ambient temperature is too high Leak/cut off supply water 	<ul style="list-style-type: none"> Clean air filter Do not use the air conditioner if ambient temperature is higher than 50°C (122°F) Check water flow
	Abnormal temperature sensor value	TH1(Outlet) temperature sensor has a loose or broken connection	Contact a qualified service agent
	Abnormal temperature sensor value	TH2(Inlet) temperature sensor has a loose or broken connection	Contact a qualified service agent
	Compressor overloaded	<ul style="list-style-type: none"> Ambient temperature is too high Unstable voltage supply Defective compressor Over current relay defect or broken connection 	<ul style="list-style-type: none"> Do not use the air conditioner if ambient temperature is higher than 50°C (122°F) Contact a qualified service agent Replace compressor
	Condensate water level alarm	Condensate tank is full	<ul style="list-style-type: none"> Empty the water tank After installation of the water tank, press the SPOT/COOL or ROOM/COOL button to resume operation
	Drain pump alarm	Drain pump defective or improper hose connection (including kink or blockage)	<ul style="list-style-type: none"> Check the hose connection and hose Replace drain pump

Table 1- Alarm Codes

Wiring Diagram

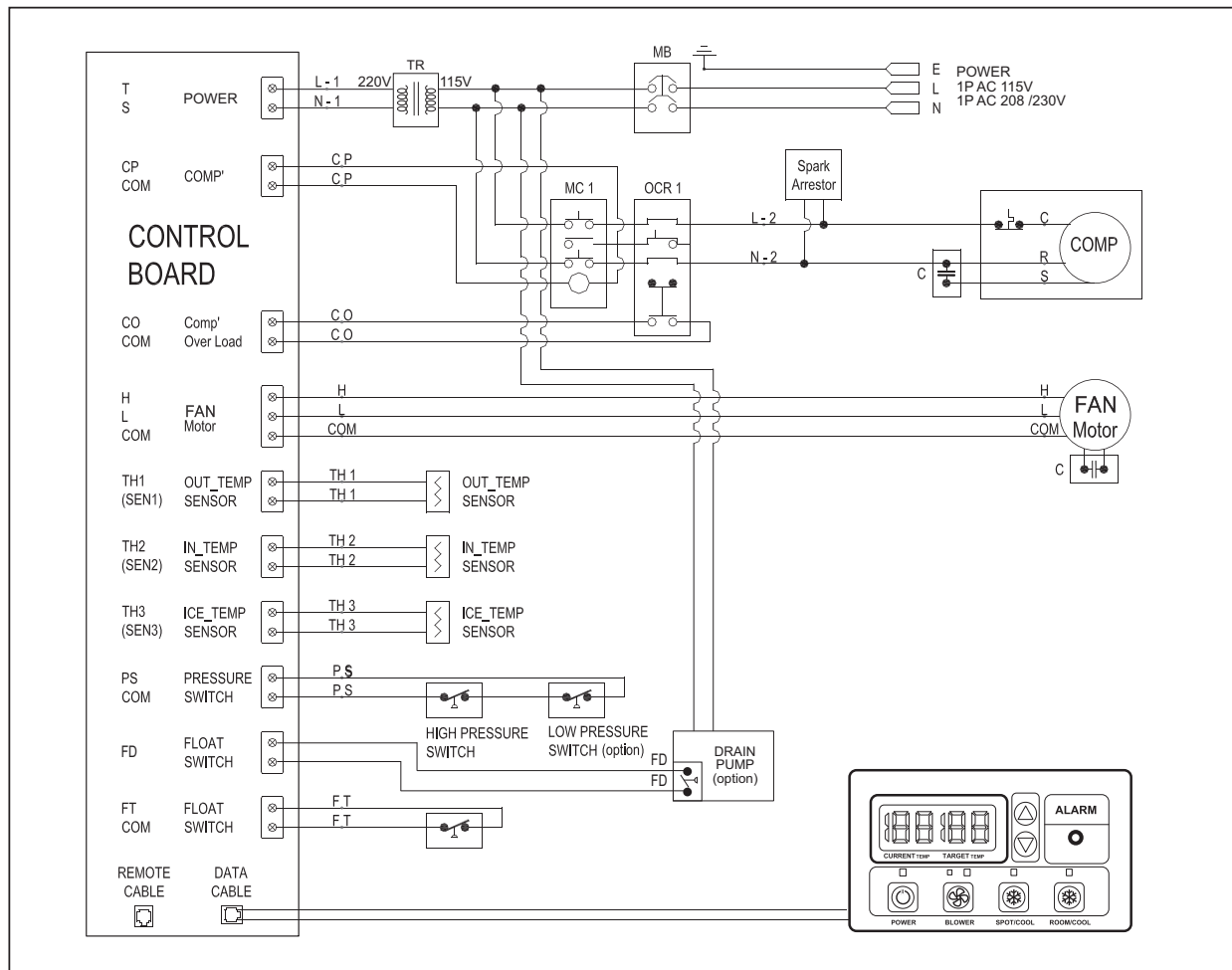


Figure 12 - Circuit Wiring Diagram

Troubleshooting chart

Symptom	Possible Cause(s)	Corrective Action
Water leakage	High water level in condensate tank	<ol style="list-style-type: none"> 1. Remove blockage from drain hose 2. Remove any object stuck underneath of the black panel under the water tank
The unit doesn't work	<ol style="list-style-type: none"> 1. Check the power supply to verify that power is available to the unit 2. Verify that the power cord is connected 	<ol style="list-style-type: none"> 1. Reset the circuit breaker and restart the unit 2. Connect power cord
No cold air flows from the cold air outlet	<ol style="list-style-type: none"> 1. Ambient air cannot be properly cooled if the filter is dirty and not regularly cleaned 2. Compressor will not work if the unit is turned off and on quickly. 3. The ambient air temperature may be too high 	<ol style="list-style-type: none"> 1. Clean the filter 2. Wait 2 minutes after unit is turned off before turning the unit back on. 3. The temperature of the compressor can be higher when the ambient temperature is too high. The compressor will not work unless the ambient air temperature is within the acceptable operating range of the unit
Water flow can be heard after compressor shuts off	No cause	Common to hear coolant flowing after unit shuts off
Alarm displays "FT" with less than half of condensate water in the tank Spring is possibly broken	Spring is possibly broken	Replace a new spring (See Maintenance page 8)

Shipping list

Water-cooled portable air conditioner 1 unit
Owner's Manual 1 pcs
Power Cord Holder 1 pcs
Cool Air duct Assembly 2 pcs
Water coupler 1 set (2pcs)

OBTAINING SERVICE

If the **AmeriCool by Weltem Portable Air Conditioner** requires Service:

1. Use the TROUBLESHOOTING section in this manual to eliminate obvious causes.
2. Verify there are no circuit breakers tripped.
3. Call your dealer for assistance. If you cannot reach your dealer, or if they cannot resolve the problem, call **AmeriCool by Weltem Portable Air Conditioner** Technical Support at 562.231.7175. Please have the following information available BEFORE calling the Technical Support Department:
 - a. Your name and address.
 - b. The serial number of the unit.
 - c. Where and when the unit was purchased.
 - d. All of the model information about your **AmeriCool by Weltem Portable Air Conditioner**.
 - e. Any information on the failure, including LED's that may or may not be illuminated.
 - f. A description of the protected equipment, including model numbers if possible.

LIMITED WARRANTY

AmeriCool warrants all AmeriCool products to be free from defects in materials or workmanship, under normal use and service, for a period of 12 months from the date of purchase to the end user (original invoice must be provided). AmeriCool further warrants that the compressor will be free from defects in materials and workmanship for 36 months from the date of purchase to the end user.

AmeriCool's obligation under this warranty is limited to the repair or replacement at its option, of any part or parts, which, upon AmeriCool's examination are shown to be defective, or at AmeriCool's option, the return of the purchase price to the purchaser.

Correction of such defects by repair or replacement, or at AmeriCool's option, the return of the purchase price shall constitute fulfillment of warranty obligations to the purchaser. This warranty does not cover defects or malfunctions which result from causes beyond AmeriCool's control, including, without limitation, (i) unusual physical or electrical stress; (ii) accident, neglect, abuse, misuse or other abnormal use; (iii) failure to perform routine maintenance in accordance with AmeriCool's recommended procedures; (iv) normal wear and tear; (v) repairs or attempted repairs by an unauthorized person; (vi) modifications or alterations to the Products; (vii) use with parts or devices not supplied or approved by AmeriCool (viii) improper installation or service; (ix) shipping damage to any units or spare parts during shipping. This includes and is not limited to compressors, evaporators and condenser coils. This warranty shall extend only to the original end-user and shall be void if any labels or other identifying marks permanently affixed to Products when shipped by AmeriCool are removed, altered, defaced or obliterated.

TO THE EXTENT PERMITTED BY LAW, THIS WARRANTY, AS LIMITED HEREIN, SHALL BE IN LIEU OF AND EXCLUSIVE OF ALL OTHER WARRANTIES, EITHER EXPRESSED OR IMPLIED, ON THE PART OF AMERICOOOL INC., OR WELTEM CO., LTD. WHETHER ARISING FROM LAW, COURSE OF DEALING, USAGE OF TRADE, OR OTHERWISE, INCLUDING WITHOUT LIMITATION ANY IMPLIED WARRANTY OF MERCHANTABILITY OR FITNESS OF A PARTICULAR PURPOSE OR ANY LIABILITY FOR COMMERCIAL LOSSES BASED UPON NEGLIGENCE OR MANUFACTURER'S STRICT LIABILITY. EXCEPT AS EXPRESSLY PROVIDED HEREIN, NEITHER AMERICOOOL, INC., NOR WELTEM CO., LTD. WILL, IN ANY EVENT, BE LIABLE FOR LOST PROFITS, COSTS OF PROCESSING, INJURY, GOODWILL, OR ANY OTHER CONSEQUENTIAL DAMAGES OF ANY KIND ARISING FROM BREACH OF THIS WARRANTY.

**Manufactured in Weltem Co., Ltd.,
973-5, Yangdeok-dong, Masanhoewon-gu, Changwon-City, Gyeongnam,
Republic of KOREA 630-728 www.weltem.com**

**Distributed by Americool, Inc. In the USA (Tel. 562-231-7175)
WWW.AMERICOOOLINC.COM**

printed in April, 2013