

White-Westinghouse

Factory Parts Catalog

Product No.	WTF330HS0
Series	W-Westinghouse
Market	North America
Color	white
Volts	120
Wiring Diagram	134970200
Owner's Guide	137128800
Energy Guide	134814200
Installation Instructions	137126000
Operating Instructions	137124200

 **Electrolux**

Electrolux Major Appliances
North & Latin America
P.O. BOX 212378
AUGUSTA, GA 30917

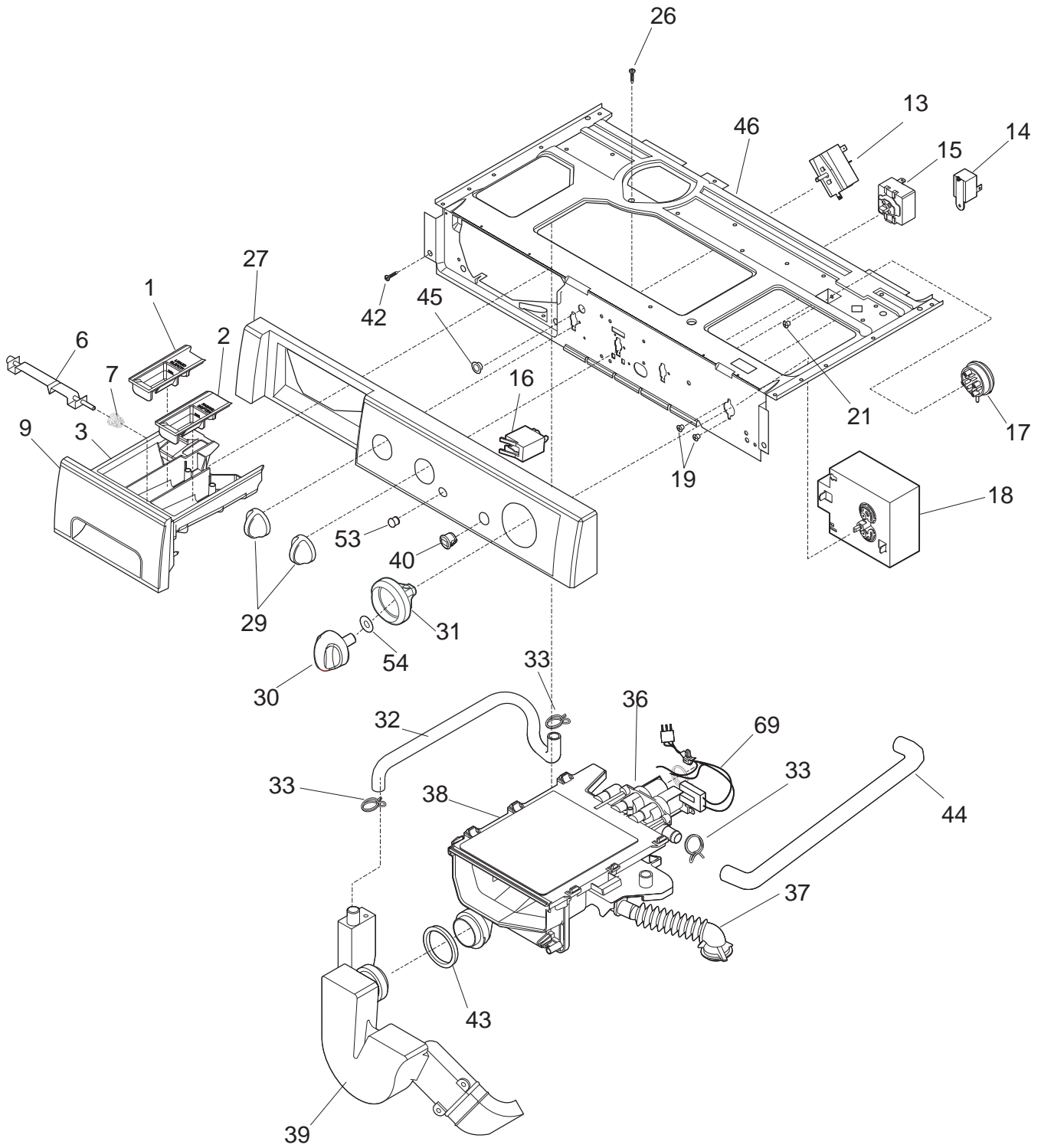
Publication No.
5995532537
09/02/04
(EN/SERVICE/WTC)
361

**FRONT-LOAD
WASHING MACHINE**

Model No.
WTF330H

Copyright © 2009 Electrolux Home Products, Inc.
All rights reserved.

CONTROL PANEL

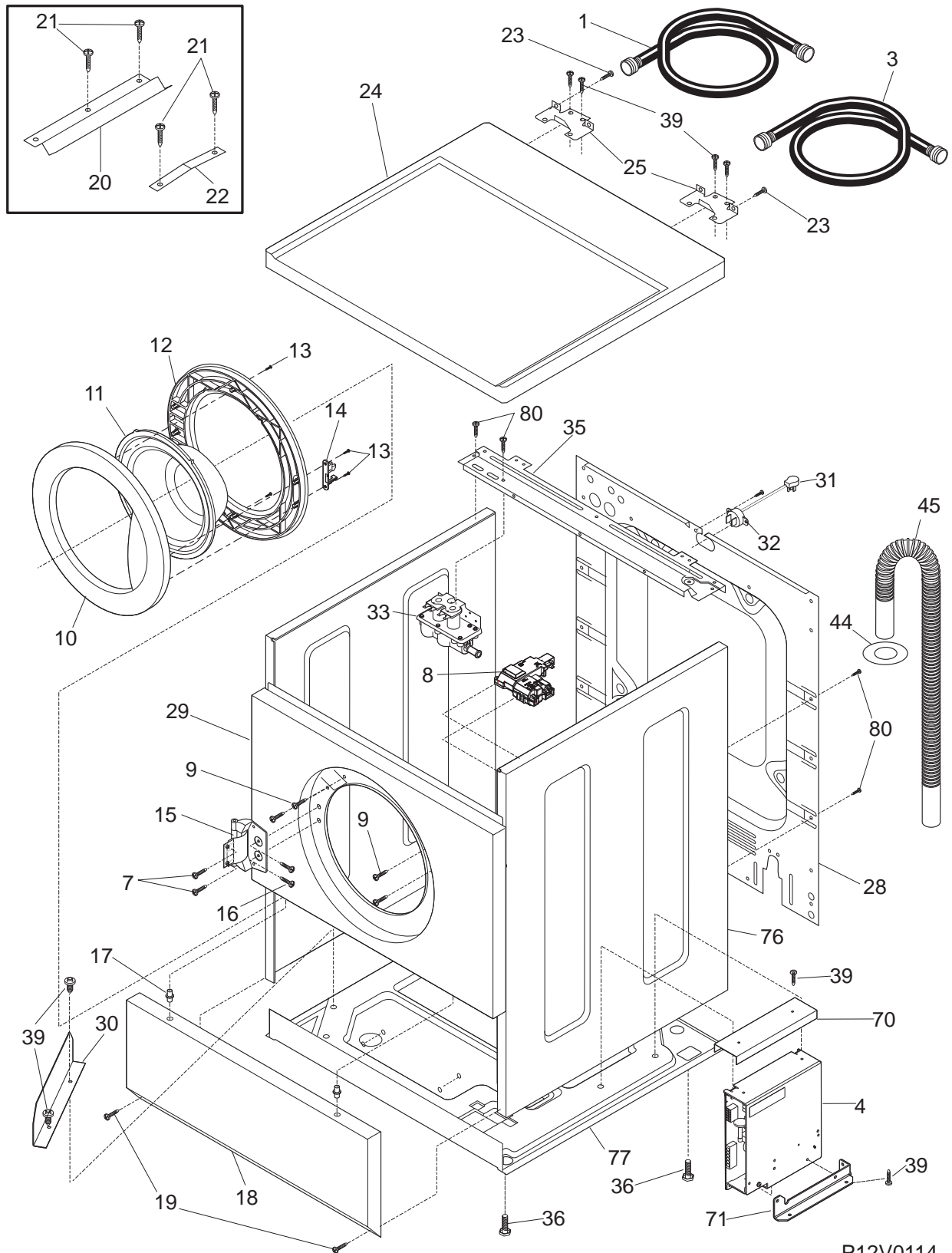


P12C0391

CONTROL PANEL

POS. NO	PART NO.	DESCRIPTION
1	131272100	Cover, bleach
2	131272000	Cover, softener
3	131271910	Drawer, dispenser
6	131374500	Latch, disp drawer hdl
7	131427500	Spring
9	131691211	Handle, dispenser, w/trim
13 #	134397500	Switch, temperature, 3 position
14 #	131724500	Buzzer
15 #	134892900	Switch, temp selector, 2 posn rotary
16 #	131724700	Lamp, status light
17 #	134438301	Switch, pressure, water optimizer
18 #	134378400	Timer
19	131243800	Screw, pan hd locking, 8-32CA x 0.375, cup point
21	131243700	Screw, pan head, 8-18AB x 0.375
26	131823400	Screw, 8-18 x 2.00
27	131887213	Console, frame/trim assy, bisque
29	131761704	Knob, rotary, white/dark gray
30	134191800	Knob, timer
31	131853900	Pointer, timer, white, gray indicator
32	131786100	Hose, siphon/valve
33	131306216	Clamp
36 #	131974700	Valve, dispenser, w/seal
37	131271600	Hose, tub
38	131803710	Dispenser Assy
39	131863300	Siphon
39*	131307900	Clamp, siphon/bellows
40 #	134040800	Switch, on/off, white, round
42	134547800	Screw, 10-16AB x 0.375
43	131749200	Gasket, seal
44	131786000	Hose, dispenser
45	5303321107	Bushing, idler
46	134191412	Panel, control mtg., wing bend
53	131724800	Lens, status light, clear
54	5308015493	Spacer, washer, timer shaft
69 #	134994000	Wiring Harness, main
*	131931201	Dampener, vibration, 3.5 x 2 x 2 in., foam

CABINET/TOP

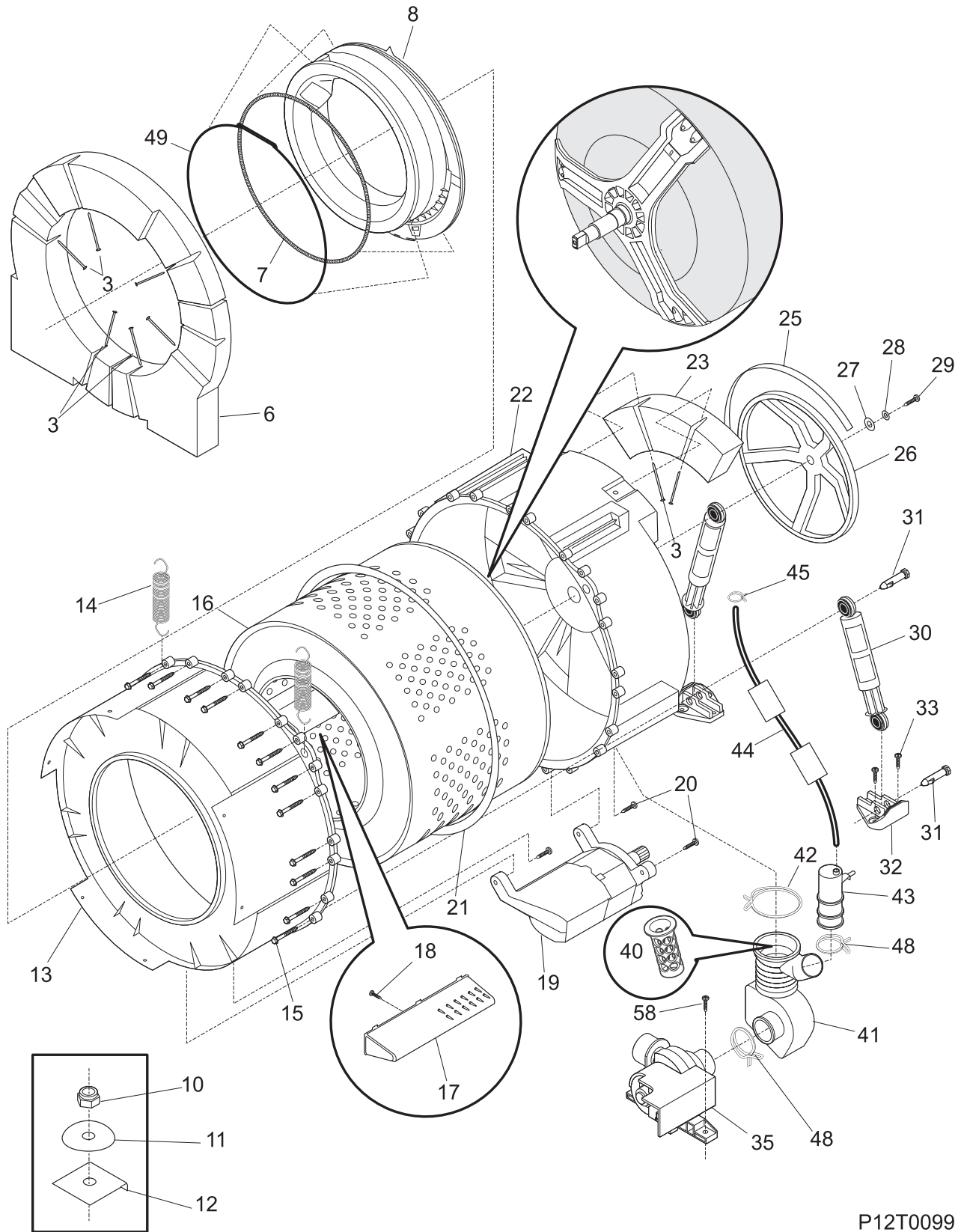


P12V0114

CABINET/TOP

POS. NO	PART NO.	DESCRIPTION
1	131279602	Hose, water inlet, cold
3	131279603	Hose, water inlet, hot
4 #	134149220	Controller Assy, speed, w/base & shield
7	131205300	Screw, 10-16 x 0.750
8 #	131763245	Door Lock/Switch Assy
9	131303300	Screw, pan head, 10-16AB x 0.500, locking
10	131278700	Frame, outer door, white
11	131278800	Panel, door glass
12	131278900	Frame, inner door, white
13	134227100	Screw, flat head, 10-16 x 0.600, quadrex
14	131763310	Striker, door/lock/sw
15	134264600	Hinge, door
16	131696300	Screw, quad pan head, 10-16 x 0.312
17	131346400	Pin, panel locator
18	131279300	Panel, service, white, front
19	131358400	Screw, hex washer hd, 8-18AB x 1.125
20	131460900	Bracket, top panel mtg., front
21	131243700	Screw, pan head, 8-18AB x 0.375
22	131279500	Retainer, spring steel
23	131243800	Screw, pan hd locking, 8-32CA x 0.375, cup point
24	134086842	Panel, white, top
25	131668200	Bracket, top panel mtg.
28	134896900	Panel, back
29	131752030	Panel, cabinet front, white
30	131859600	Shield, overflow
31 #	134501000	Power Cord, electric svce
32	5303209428	Bushing, power cord
33 #	131900200	Valve, water, 115 V
35	134897000	Bracket, reinforcement, top rear
36	134548800	Leveling Leg, screw, plastic
39	134178901	Screw, 8-18AB x 0.455
44	131707800	Ring, drain hose
45 #	134592700	Hose, drain
70	134048600	Shield, drip protector
71	134048400	Base, controller mtg
76	134390701	Panel, side, white, RS/LS, (2)
77	134773000	Base Plate
80	134547800	Screw, 10-16AB x 0.375
*	131931201	Dampener, vibration, 3.5 x 2 x 2 in., foam
*	5303937142	Shipping Brace Kit

MOTOR/TUB

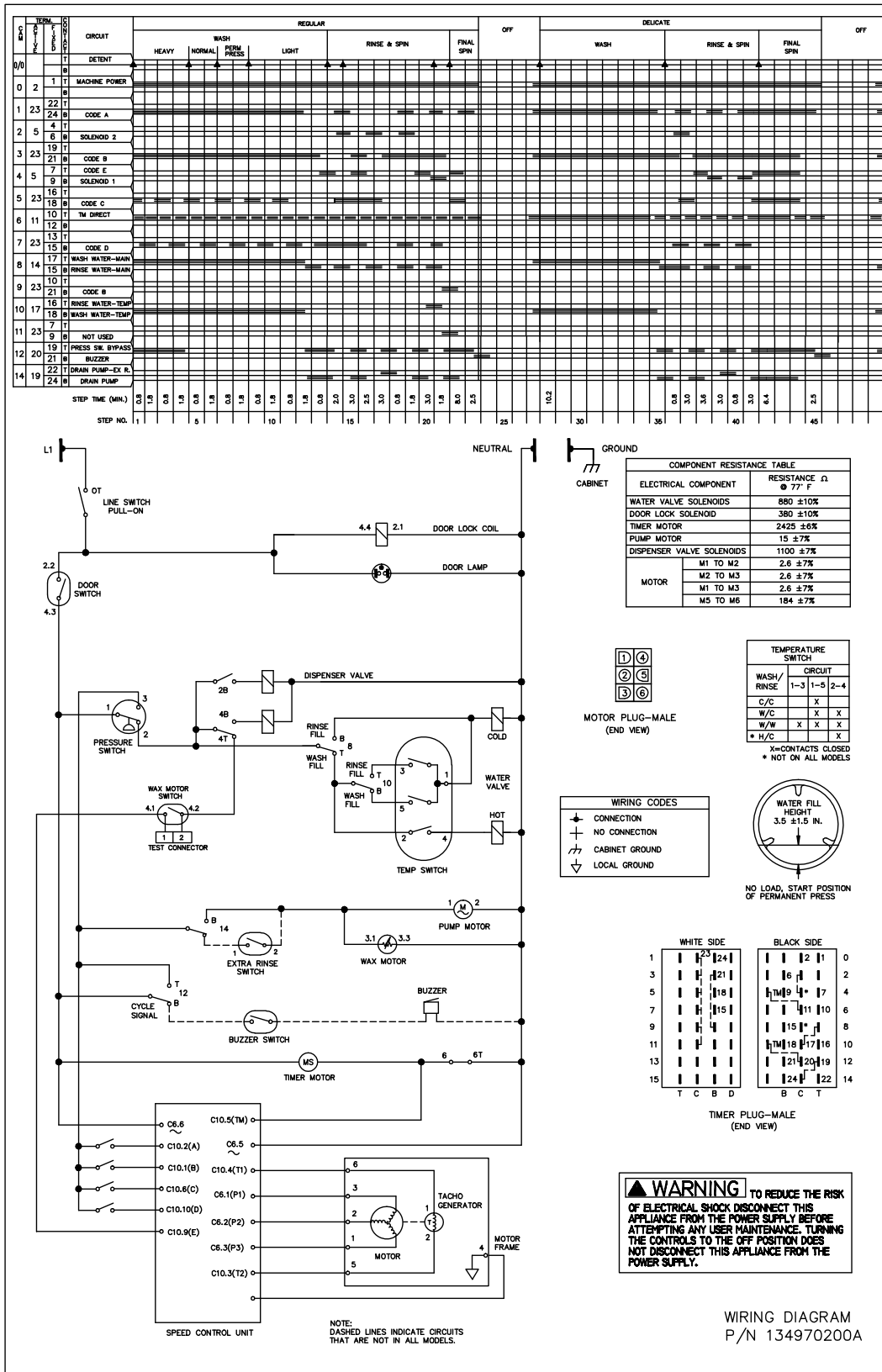


P12T0099

MOTOR/TUB

POS. NO	PART NO.	DESCRIPTION
3	131793302	Bolt, carriage, 1/4-20 x 4.00
6	131975300	Counterweight, one piece
7	131277300	Spring, boot retainer
8	134177600	Bellows, door boot
10	131304700	Nut, hex, 1/4-20 UNC-2B, (2)
11	131276900	Washer, Bellville, spring steel
12	131793500	Plate, counterweight
13	131618600	Shell, outer tub, front
14	134144700	Spring Assy, suspension, w/sleeves
14*	131560000	Sleeve, protector, lwr spring hook
14*	131592200	Sleeve, protector, upr spring hook
15	131303900	Screw, hex washer head, 1/4-10A x 2.165
16	131618500	Drum Assy, spin basket
17	131274600	Vane
18	131302800	Screw, 10-16AB x 0.375
19 #	134869400	Motor
20	131303500	Screw, 12-14AB x 1.50, motor mtg.
21	134146100	O-ring, tub
22	131462800	Shell, outer tub, rear, with bearing
23	134125900	Counterweight, drum rear
25 #	134051000	Belt, drive, 6-rib
26 #	131883400	Pulley, drum drive, large, rear
27	131304400	Washer, 0.41 x 1.50, 0.12 thick
28	131304500	Washer, lock, 3/8
29	131303700	Screw, pulley mtg., m10 x 0.92, metric
30	134999000	Shock Absorber, air, stabilizer
31	131268300	Pin, shock mtg.
32	131268100	Bracket, shock mtg.
33	134532200	Screw, 10-16AB x 0.500
35 #	134740800	Pump, drain
40	134885800	Filter, pump
41	134044200	Hose, coin trap, tub-to-pump
42	134737300	Clamp, hose
43	131277500	Chamber, air
44	131789900	Tube Assy, air pressure, w/air chamber
45	131306202	Clamp, hose
48	131306234	Clamp, hose, wire
49	134266500	Clamp, bellows/boot, 0.059 OD wire, spring held
58	134160900	Screw, washer hd, 10-16AB X 0.75
*	137124000	Energy Guide

WIRING DIAGRAM



WIRING DIAGRAM

