

Operating Instructions

Washing Machine

Dear ASKO customer,

Thank you for choosing this quality product from Scandinavia, which was made in Sweden.

We want you to feel assured that the inside of your new machine is just as good as the outside and that the ethics and standards that went into the production of this machine are just as high as the quality and performance that you will receive from it. We hope that this product will give you many years of pleasure.

To ensure that you get the most from your new machine, we recommend that you read the operating instructions before using the machine. The operating instructions also contain information on how to avoid damaging the environment.

Asko W6222

Contents

Before using your machine for the first time	4	Washing	11
Transport protection	4	Sort your laundry.	11
Packing material	4	Turn on the main power switch.	11
Washer door	4	Open the washer door and load the washing	11
Checking water hardness	4	Add detergent and fabric softener, as required	11
Safety instructions	5	Select the program	12
General	5	Select options and settings	13
Installation	5	Close the door and press the Start/Stop button	13
Overflow guard function	5	Once the program has finished[14
Transport/Winter storage	5	Care and cleaning	15
Recycling	5	Checking the trap and drainage pump	15
Child safety	6	Cleaning the detergent compartment	15
Keep an eye on children!	6	Cleaning the outside of the machine	15
Automatic door opening	6	Cleaning the inside of the machine to avoid unpleasant smells	16
Description of the washing machine	7	Rinse holes under the agitator	16
Detergent compartment	7	If you have hard water	16
Front panel	8	Troubleshooting	17
Options button	8	The washer door will not open	17
Advice and tips before washing	9	The machine will not start	17
Sorting your laundry	9	Error messages	18
Clothing	9	Technical information	19
Laundry labels	9	Technical data	19
Laundry label symbols	9	Standard tests	19
Coloured cotton	10	Transport protection	20
Delicates	10	Installation	21
Wool and silk	10	Positioning the washing machine	21
Artificial fibres and synthetic fibres	10	Adjusting the feet	21
Save time and energy	10	Connection to water supply	21
Economy and efficiency	10	Drainage connection	22
Detergents	10	Electrical installation	22
		Program plate in multiple languages	23

Contents

Service	24
Before contacting the service division	24
Quick guide	28
Washing	28
Load the laundry	28
Detergent compartment	28
Select the program	28
Program finished	28

Before using your machine for the first time

Transport protection

Has the transport protection been removed? If not, see the "Transport protection" chapter page 26.

Packing material

Sort waste materials in accordance with local guidelines.

Washer door

- The washer door will not open until the machine is connected to the electricity supply.
- To open the door manually, see the section "The door will not open" in the "Troubleshooting" chapter.
- It is not possible to start the machine with the door open.
- To open the door while a program is running, see the section "Close the door and press the Start/Stop button".

Checking water hardness

The quantity of detergent needed depends, amongst other things, on how hard the water is. Phone your local water company to check the water hardness in your area.

See the Quick guide on the last page.

Safety instructions

General

- Read the operating instructions and keep them in a safe place!
- Installation should be carried out by qualified ASKO technicians.
- The machine should only be used for washing items as described in these instructions. It is not intended for dry cleaning!
- Use only detergent intended for machine washing!
- Remove any transport protection devices before using the machine. See the “Transport Protection” chapter.
- Repairs and maintenance must be carried out by a qualified professional.
- Damaged mains cables must only be replaced by a qualified electrician.

Installation

See the “Installation” chapter.

Overflow guard function

If the machine’s water level rises above the normal level, the overflow guard function begins to pump water out and shuts off the water intake. If the water level has not dropped within 60 seconds, the program is terminated.

Transport/Winter storage

If the machine is to be transported or stored in unheated premises where the temperature can fall below freezing, do as follows:

- Empty the filter and drainage pump (see the “Care and cleaning” chapter).
- Shut off the water to the washing machine, loosen the supply hose to the intake valve and let the water run out from the valve and hose.

Recycling

This machine is manufactured and labelled for recycling. To prevent injuries, the machine must be made unusable before disposing of it.. Contact your local authority for information about where and how your machine can be recycled correctly.

Child safety

Keep an eye on children!

- Always close the door and start the programme immediately once you have added detergent.
- The appliance is not intended for use by young children or infirm persons without supervision.
- Young children should be supervised to ensure that they do not play with the appliance.
- Store detergent and fabric softener out of the reach of children!

If this appliance is supplied from a cord extensions set or electrical portable outlet device, the cord extension set or electrical portable outlet device must be positioned so that it is not subject to splashing or ingress of moisture.

Automatic door opening

The machine comes with an automatic door opening function, which means that the door

opens automatically once the program has finished.

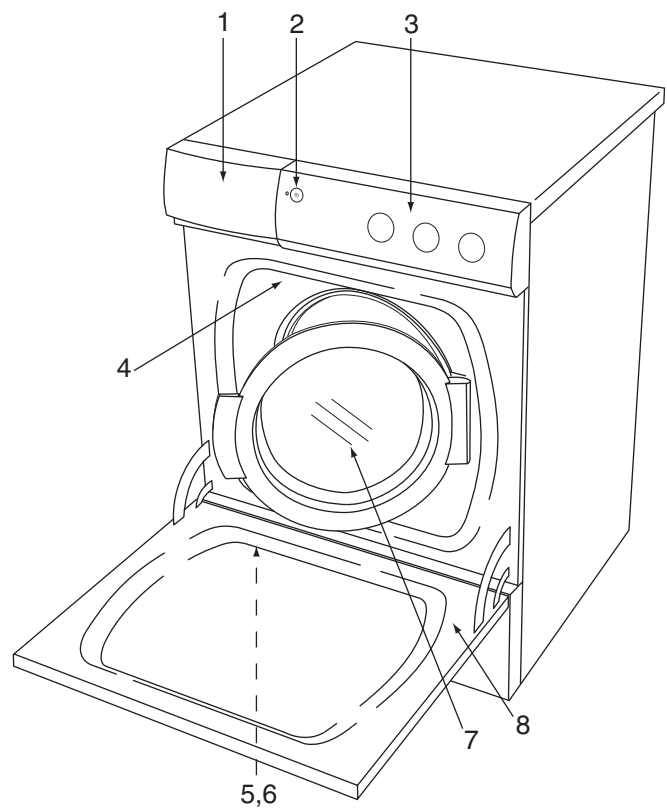
If you wish to prevent small children or pets from climbing into the machine, you can deactivate the automatic door opening function.

1. Turn off the machine using the main power switch.
2. Press the Door Open button while simultaneously pressing the main power switch. Release the buttons.
3. Press the Key button and the red field goes out. Automatic door opening is now deactivated.
4. Press the Start/Stop button to save the setting.

If you want to reactivate the function, follow the instructions above, but when you press the Key button (point 3) the red fields light up. Store the setting by pressing the Start/Stop button.

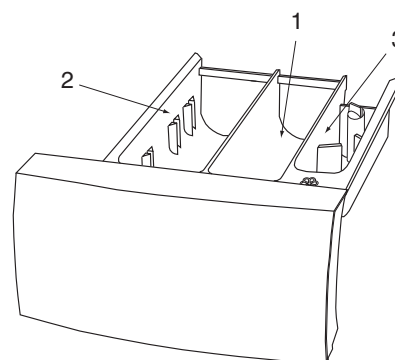
Description of the washing machine

1. Detergent compartment
2. Main power switch
3. Program panel
4. Serial Number
5. Hatch - drainage pump
6. Drainage pump (behind hatch)
7. Washer door
8. Outer door (not all models)



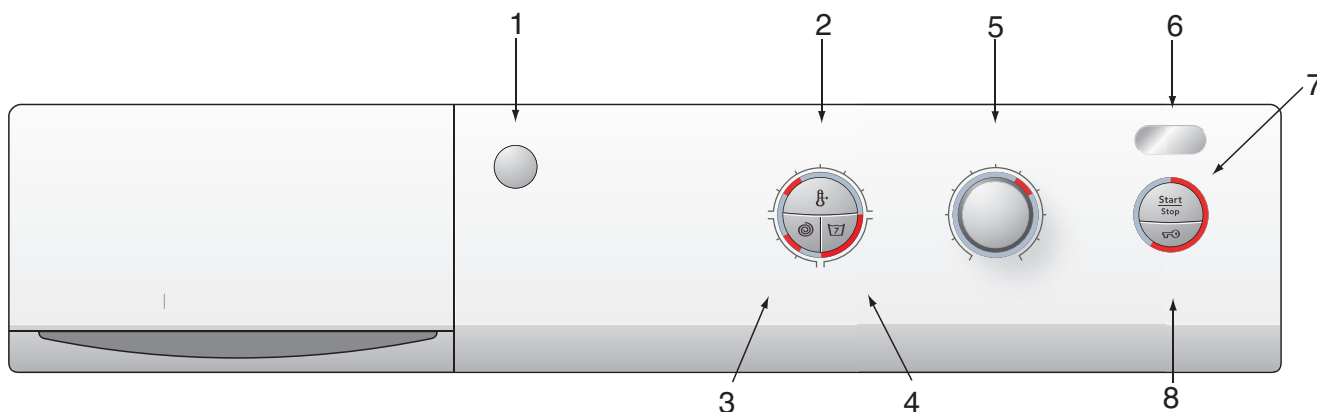
Detergent compartment

1. Detergent compartment - pre-wash
2. Detergent compartment - main wash
3. Fabric softener compartment



In the plastic bag containing these instructions and other things, you will find a plastic divider. Place the divider in the detergent compartment if you use liquid detergent.

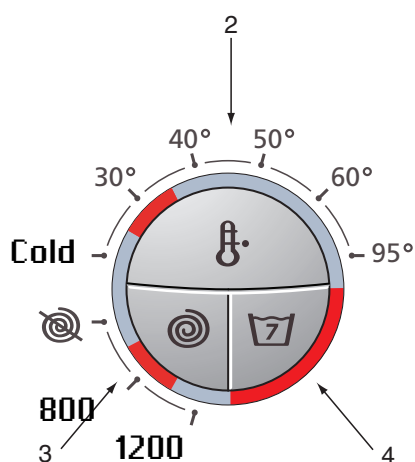
Front panel



- 1. Main power switch
- 2-4. Options buttons
- 5. Program selector

- 6. Display window
- 7. Start/Stop
- 8. Door opening

Options button



- 2. Button for selecting Temperature
- 3. Button for selecting Spin speed
- 4. Button for selecting Super Rinse

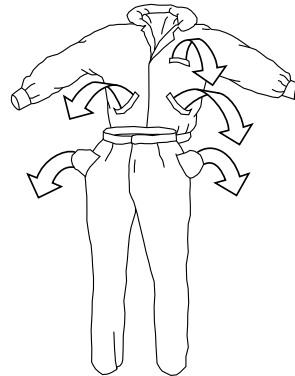
Advice and tips before washing

Here are some tips that may help you before washing.

Sorting your laundry

Sort items according to:

- how soiled they are
- colour
- material



Clothing

- Do up zips so that they don't harm fabrics.
- New coloured items may contain excess dye and should therefore be washed separately the first few times.
- Turn delicate items inside out. This reduces the risk of burling and fading.
- Empty pockets and wash them inside out if possible!

Laundry labels

Look at the item's laundry label. The table below shows recommended wash programs for different materials and wash loads. With an ASKO washer in conjunction with modern day detergents, it is a good idea to trial and error to find out what produces the best results.

Laundry label symbols

Laundry labels	Material	Program	Load
	Cotton, linen, white and light-coloured items.	Normal 60 °C to 95 °C	1/1 drum
	Cotton, linen. Dark-coloured items.	Colour 60 °C	1/1 drum
	Polyester, cotton/polyester, nylon. White items.	Synthetic 60 °C	1/2 drum
	Rayon, acetate, acrylic. Non-colourfast items.	Synthetic 40 °C	1/2 drum
	Polyester, cotton/polyester, nylon. Coloured items.	Synthetic 40 °C	1/2 drum
	Silk and very delicate items	Synthetic 30 °C	1/3 drum
	Items labelled with the IWS or Superwash mark	Wool/hand 40 °C	1/3 drum

Advice and tips before washing

Coloured cotton

Coloured cotton items with the washing instruction 60 °C should be washed at 60 °C for the first time in order to remove any excess dye. If you do not do so, there is a risk that the colour will run. Use detergent without bleach in order to preserve the colour of the fabric.

Delicates

Unbleached linen

Unbleached linen fabrics should be washed at 60 °C, using detergent containing no bleach or optical whiteners. Heavily-soiled linen can occasionally be washed at higher temperatures, but not too often because the heat can destroy the linen's shine and strength.

Wool and silk

These fabrics are sometimes labelled as machine washable and sometimes as hand wash. The machine's Wool/Hand program is just as gentle as washing by hand.

Wool is especially sensitive to processes such as washing.

If you do not wish to spin dry, you can squeeze out the water using terry towels. In this case select No spin.

To find out how to select this setting, see the "Washing" chapter. However, most items can withstand a short spin. Select short spin by selecting a spin speed below 800 rpm.

Artificial fibres and synthetic fibres

These materials require plenty of room to prevent them from getting creased. Only fill the drum half full when washing artificial or synthetic fibres. Choose a short spin by selecting a spin speed of 800 rpm or less.

Note!

Viscose and acetates are fragile when wet.

Save time and energy

Use the White program to save time and energy. This program has a shorter main wash than Heavy white wash, but it is often long enough for normally soiled laundry.

Economy and efficiency

You can save energy by not using higher temperature programs than necessary.

- Select Quick if you just need to freshen up shirts or sports clothes, for example. This will save both water and energy.
- If you select a fast spin speed, this reduces energy consumption when drying in a tumble dryer or drying cabinet.
- Always wash with a fully loaded machine when you use the Heavy wash, Heavy white, Colour and White programs!
- Avoid washing with pre-wash. Modern machines and detergents clean without pre-wash. Only very heavily soiled laundry such as overalls and similar garments are likely to need a pre-wash.

Detergents

Eco-labelled detergents are less harmful to the environment.

Detergent overdosing does not give better washing results; it merely causes a greater impact on the environment; can also hinder the wash performance.

Try to use less detergent, and increase only if you are not satisfied with the results.

Note!

Because of environmental concerns we discourage the use of strong chemicals.

When using agents for bleaching or stain removal, there is a risk of rust (corrosion) and discolouration of the machine.

Washing

1 Sort your laundry.

See the "Advice and Tips" section before washing.

Note!

Place underwired bras in a laundry net.

Note!

Empty pockets. Coins, nails and the like can cause damage to the machine and fabrics. See the "Advice and Tips" section before washing.

2 Turn on the main power switch.

3 Open the washer door and load the washing

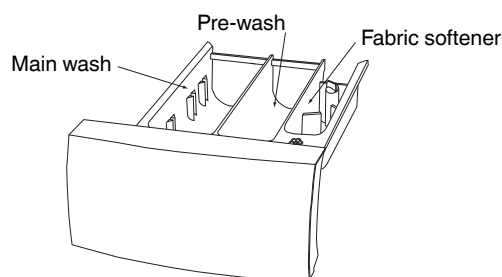
If the door is closed, press the Door opening button (key symbol). The red field lights up and the door will open after a few seconds. Load the laundry. The laundry program chart shows how much laundry can be washed with each program.

4 Add detergent and fabric softener, as required

The detergent packaging will give a recommendation about how much detergent you should use. The machine holds 6 kg of laundry. If you only have a small amount of washing in the machine, you can reduce the amount of detergent you use.

Liquid detergent

When using liquid detergent, follow the detergent manufacturer's recommendations.



Powder detergent

When using liquid detergent, follow the detergent manufacturer's recommendations. We recommend always using a wash ball with very thick liquid detergent.

Wash ball or net


If you use a wash ball or net, place it directly in the drum and select a program without pre-wash.

Note!

Detergent overdosing does not give better washing results; it merely causes a greater impact on the environment; can also hinder the wash performance.

Try using less detergent, and increase only if you are not satisfied with the results.

Fabric softener

Pour the fabric softener into the compartment with the  symbol. Follow the recommendations on the fabric softener packaging.

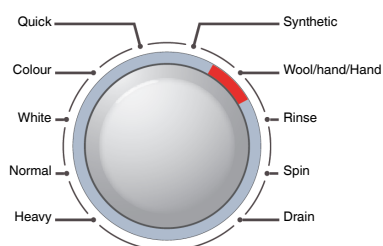
Note!

Do not fill above the compartment's maximum fill level. Otherwise fabric softener will run in too early, and will impair washing results.

Washing

5 Select the program

You can select a program by turning the program selector. A red field lights up beside the selected program. Start the machine by pressing the Start/Stop button or selecting an option.



Heavy

Use this program for heavily soiled laundry. You only need to use the maximum temperature, 95 °C, if the laundry is **very** heavily soiled.

Normal

Normally soiled sheets, pillow cases and towels will come clean at 60 °C.

Colour

Clothes worn next to the skin should be washed at 60 °C. Lightly soiled laundry can be washed at 40 °C. Most detergents nowadays clean even at 40 °C.

Quick

Lightly soiled laundry that only needs freshening up can be washed for a short time at 40 °C.

Synthetic

This program is good for shirts and blouses made of synthetic and blended material. Wash white clothes at 60 °C and coloured clothes at 40 °C.

Wool/hand/Hand

This program is used for clothes labelled Wool/Hand wash. The maximum temperature is 40 °C and the program has a short spin.

Rinse

This program performs one rinse cycle + spin. Good for cleaning cloths and mops.

Spin or Drain

To be used when you only want to spin the load or drain the water from the machine.

Program chart

Program	Pre-wash	Main wash	Temp. °C	Rinses (number)	Max. RPM	Max. load	Water consumption (approx. liter)	Energy consumption (approx. kWh)	Program time (approx. min)
Heavy	Yes	Long	95	5	1200	1/1	65	2,20	170
Normal	No	Long	60	3	1200	1/1	54	1,14	130
White	No	Short	60	3	1200	1/1	54	1,00	90
Colour	No	Short	40	3	1200	1/1	54	0,50	70
Quick	No	Short	40	2	1200	1/2	22	0,30	35
Synthetic	No	Short	40	3	800	1/2	30	0,30	65
Wool/hand/Hand	No	Short	30	3	800	1/3	54	0,30	40
Rinse				1	1200	1/1	9	0,05	16
Spin					1200	1/1		0,05	11

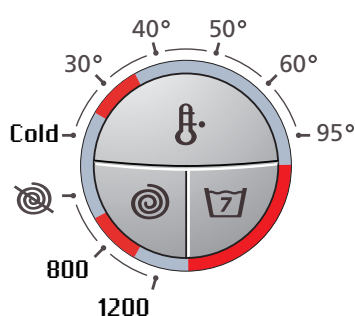
* Program tested in accordance with AS/NZS 2040.2.

Washing

6 Select options and settings

By changing options and settings you can adjust the washing program to suit your own specific requirements.

The machine will remember which settings and options you chose for each program and will use them the next time you select that program. You can of course change the options if you want.



Temperature

Select temperature by pressing the Temperature button until the red field lights up beside the desired temperature.

You can select temperatures between 30 °C and 95 °C or Cold. If you select Cold, the washing temperature will be the same as that of the water coming into the machine.

For Wool/Hand it is not possible to select a temperature higher than 40 °C. See the table.

Spin speed/No spin

Select the spin speed by pressing the Spin button until the red field next to the spin speed you want lights up.

You can select speeds between 800 and 1200 rpm, No spin

Spin at 800 rpm always signifies short spin.

A spin between 400 and 800 rpm is always a short spin.

For certain programs, it is not possible to select a speed in excess of 800 rpm (see table).

No spin means that the program does not include a spin cycle and ends by draining.

7 Close the door and press the Start/Stop button



To add or remove washing after the program starts

If you want to add or remove items after the program has started, you can stop the program by pressing and holding the Door opening button (key symbol) for three seconds. The red field will flash. When you restart the machine, add any extra detergent needed and close the door. The machine continues automatically from the point where the program was interrupted.

Stopping or changing a program

You can also stop a program by pressing the Start/Stop button for three seconds. To restart the machine, select a new program, add any extra detergent needed and press the Start/Stop button.

Washing

8 Once the program has finished[

The door opens automatically once the program has finished. If you want to deactivate "automatic door opening", see the Child safety chapter.

- Remove the laundry.
- Turn off the main power switch, turn off the main power switch...and you will save energy.

If you have small children or pets at home, close the washer door once you have removed the laundry.

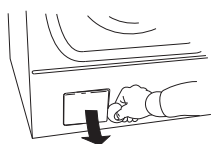
Care and cleaning

Checking the trap and drainage pump

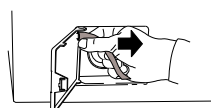
The washing machine has a trap, where coins, hairpins and the like can get caught.

To clean the filter and drainage pump:

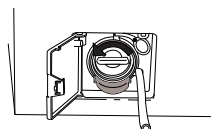
1. Make sure the machine is empty of water and that it is switched off at the mains.



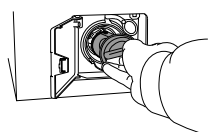
2. Open the hatch for the drainage pump as shown in the illustration.



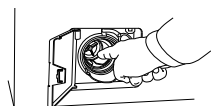
3. Drain out the water, into a bowl, for example, by unhooking the drainage hose from the pin inside the hatch.



4. Unscrew the cover anti-clockwise and remove.



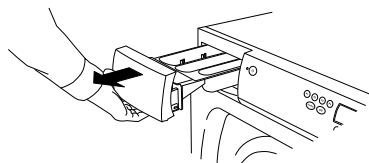
5. Remove any foreign objects from the trap and pump assembly. Check to see that the pump blades, right at the back, will rotate.



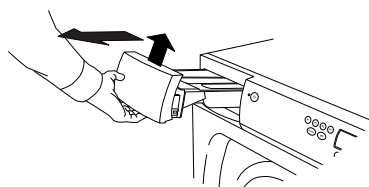
6. Screw on the cover, replace the drainage hose on the hatch pin and close the hatch.

Cleaning the detergent compartment

Pull the detergent compartment out as far as it will go.



Then pull it up and out as shown in the illustration.



Rinse the compartment and scrub it clean. Replace the compartment.

Note!

Do not run the detergent compartment through a dishwasher!

Cleaning the outside of the machine

Clean the outside of the machine and the program panel with a mild cleaner. Do not use any solvents, as these can damage the machine.

Note!

Do not hose down or spray the machine with water.

Care and cleaning

Cleaning the inside of the machine to avoid unpleasant smells

Modern detergents often allow clothes to be washed at low temperatures. This means that small deposits can build up in the machine. These, in turn, may lead to unpleasant smells developing; especially if constantly using cold wash.

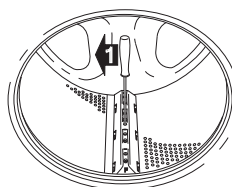
To avoid this, we recommend running a 95 °C wash program once a month. When you do this, use a small quantity of detergent. It is not necessary to put any washing in the machine.

Rinse holes under the agitator

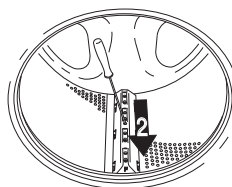
If you think that an object, such as a nail or a paper clip, may have fallen through the wash drum, you should check the container under the agitator. Objects of this kind can rust and cause spots on clothing. Nails and other sharp objects can make holes in fabric.

Do as follows:

1. Use a screwdriver or similar tool.
2. Insert the screwdriver into the central hole on the agitator and turn the screwdriver handle gently to the left.



3. With your other hand, hold the agitator and pull it towards you as shown in the illustration.
4. Lift the agitator.



5. Remove any objects.
6. Place the agitator in the mounting hole with the F-mark towards you. Ensure that all the agitator fasteners are in their holes in the drum. Push it away from you until it catches.

If you have hard water

If you live in an area with hard water (limescale), the washer drum may develop a greyish-white coating. To remove this, empty a sachet of citric acid, approx. 20 gram, into the washer drum and run the Normal program at 95 °C. Repeat if necessary.

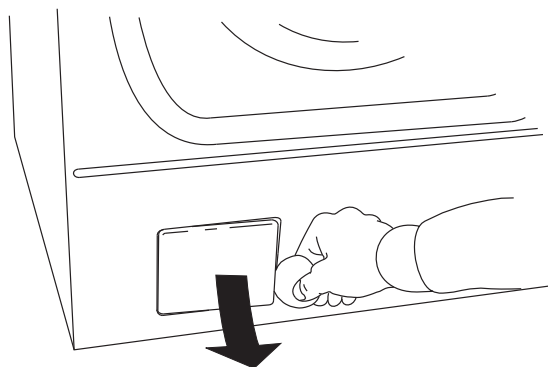
Troubleshooting

The washer door will not open

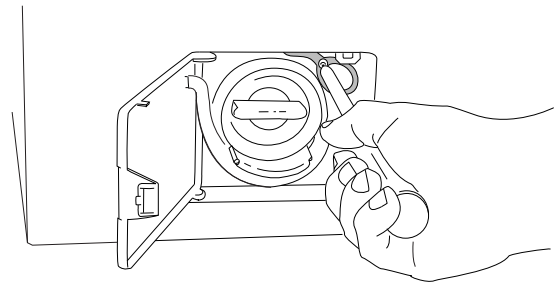
1. Check that the main power switch is on.
2. Has the power supply been cut off? Check the house fuses (circuit breakers). The washer door cannot be opened if the power supply has been cut off.

If nothing else works, the washer door can be opened as follows:

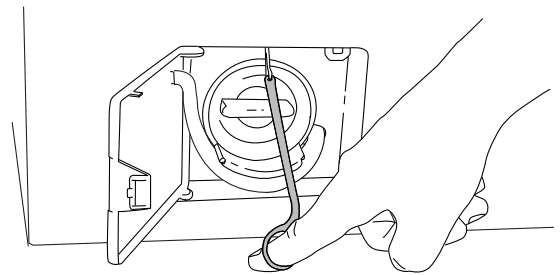
- This must only be done in an emergency if the machine's glass door does not open automatically when the program has finished.
- First check that there is no water left in the machine. If there is any water left and you are unable to run the Drain program, empty the machine by detaching the drainage hose. This is described under the heading "Checking the Trap and Drainage pump", in chapter 11, "Care and cleaning".
- Make sure that the mains power switch is off and that the plug has been removed from the wall socket.
- Open the hatch to the drainage pump, bottom left as shown in the illustration.



- Unfasten the screws holding the red plastic handle in place.



- Pull the handle and the door opens.



- Insert the handle back into its slot and screw it tight. Close the hatch to the drainage pump.

If the machine's glass door does not open the next time a washing program has finished, call the service division.

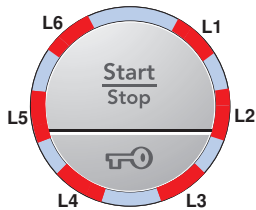
The machine will not start

1. Is the washer door properly closed? Push it firmly.
2. Is there power? Check your home's fuses.

Troubleshooting

Error messages

If an error occurs while a program is running, the red fields around the buttons flash in slightly different ways. After taking the measures described below, turn off the machine to leave error message mode.



The error messages that may be shown are:

The door is not closed

If L1 is flashing, you tried to start a program with the washer door open. Close the door and the program will start.

Over flow fault

If all the red fields around the Start/Stop and Door opening (key symbol) buttons are flashing, there is too much water in the machine.

1. Shut off the water tap.
2. Call the service division.

Water outlet fault (Grey Hose)

If L3 is flashing, there is a problem with drainage. Check:

- that no objects are stuck in the drainage hose outlet.
- that the drainage pump is not blocked by foreign objects. Clean the pump (see the “Care and cleaning” chapter).
- that there are no kinks in the drainage hose.

Water inlet fault (White Hose)

Fault with water supply. Check:

If L4 is flashing, there is a problem with drainage. Check:

- that the tap on the water pipe is open.
 - that the filter in the machine’s water inlet is not blocked.
1. Shut off the water tap.
 2. Unscrew the hose.
 3. Clean the filter in the inlet valve on the machine.
 4. Screw the hose back on.
 5. Turn on the tap and check for leaks.
 6. Run the program again to check if the fault is fixed.
 7. If this does not resolve the problem, call the service division.

Door opening fault

If L6 is flashing, call the service division.

Technical information

Technical data

Height:	850 mm
Width:	595 mm
Depth:	585 mm
Weight:	73 (78) kg (with outer door)
Cylinder volume:	50 l
Max. washing capacity:	6 kg
Spin speed:	800 - 1200
Rated power:	See type plate.
Heater output:	See type plate.
Wash drum and liquid compartment material:	Stainless steel
Outer casing material:	Powder-coated and hot-galvanized sheet steel or stainless steel.
Water connection:	1,5 m pex pipe
Drain:	1,7 m polypropylene hose

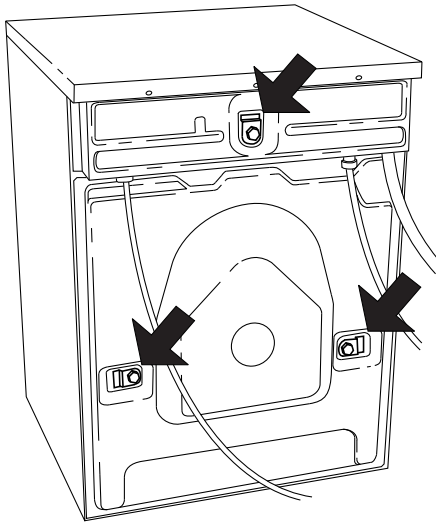
Standard tests

Europe:	AS/NZS 2040.2
Washing program:	Normal, 40°C, 6 kg cotton
Connection:	Cold water 15°C
Test method for noise measurement:	IEC-60704-2-4
Power requirement when machine turned off	< 0,2 W
Power requirement for time-delayed start	< 9,0 W
Power requirement when program finished	< 9,0 W

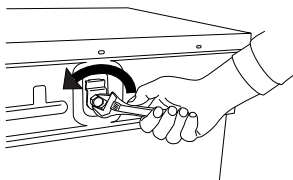
Transport protection

Before the machine is used, the three transport protection devices should be removed as shown below.

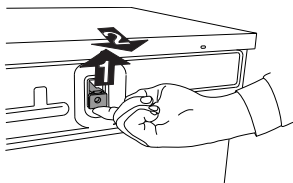
Each transport protection device consists of a screw, a washer and a rubber spacer. After the protection device has been removed, the rubber spacer acts as a plug for the holes for the device and also as a damper.



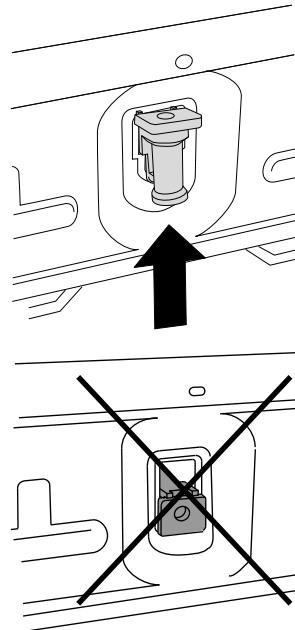
- First remove the screws and remove the washers.



- Then remove the rubber spacers.



- Finally, the rubber spacers should be turned over and replaced in the transport protection device holes.



Important!

In order to prevent the machine from being damaged when it is transported, use the transport protection device, which locks the entire inner compartment in place. If the transport protection device is missing, you can order one from your retailer.

Item number:

8901037 Bolt

8061767 Washer

Order three of each item!

Installation

Positioning the washing machine

The washing machine can be installed as a built-in or freestanding unit. Position the machine so that the electrical plug is easily accessible.

A. Built-in

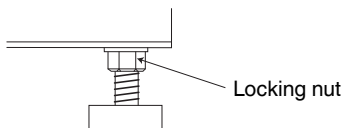
The washing machine can be installed under a bench top with a working height of 870 - 900 mm. Leave 20mm around the whole machine, particularly between the rear edge of the top cover and the wall behind it.

B. Freestanding

The washing machine can be positioned beside or under a dryer.

Adjusting the feet

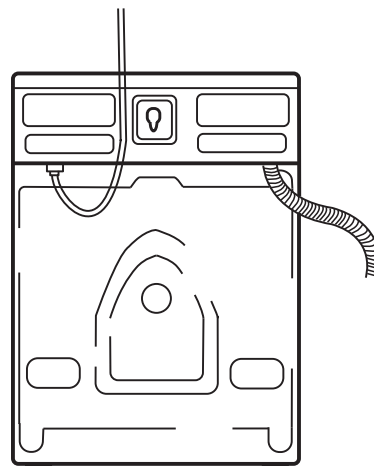
Keep the noise that the machine produces to a minimum by adjusting the feet so that the machine is steady and balanced on the floor. Tighten the lock nuts.



Connection to water supply

Water connection should be carried out by a qualified professional. Connect the machine using the accompanying supply hose. Water pressure should be 0.1–1MPa (approx. 1–10kp/cm² ; 10-100N/cm²). There should be a stopcock or tap on the water pipe.

If the pipes are newly installed, it may be wise to flush them through so that any dirt is washed away. Otherwise, dirt can clog the filter in the machine's water intake and cut off cut off or reduce water flow to the machine. Check for leaks.



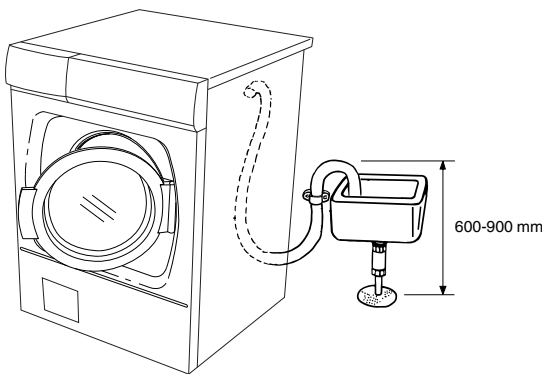
Only use the inlet hose supplied with the machine. Do not reuse old or other loose inlet hoses.

Installation

Drainage connection

The machine is supplied with a connected drainage hose that can be fastened to a laundry sink or similar. The height must be 600 - 900 mm above floor level.

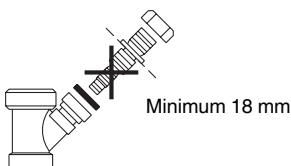
The lower position (600 mm) is always preferable. Ensure that the drainage hose has no kinks.



The machine can also be connected to the drain via a spigot connection. In this case the hose should also be 600-900 mm above the floor. The internal diameter of the hole should be at least 18 mm.

- Cut the nipple
- Remove burrs from the hole.

See the illustration.



Electrical installation

Electrical connections must be via a plug connected to an earthed wall socket or by cable for fixed installation, with all-pole disconnection, by a qualified professional.

Caution!

If this appliance is supplied from a cord extensions set or electrical portable outlet device, the cord extension set or electrical portable outlet device must be positioned so that it is not subject to splashing or ingress of moisture.

Connection on delivery

The machine is supplied as 1-fas, 230V with a plug, heat output watt 2000W and has a ampere 10A. Any earth fault fuses must be type A.

Note!

Repairs and maintenance must be carried out by a qualified professional.

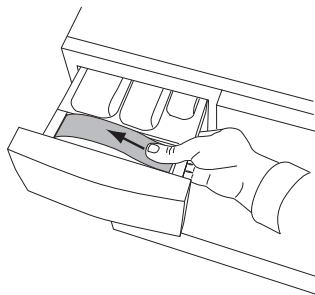
Installation

Program plate in multiple languages

Certain machines include double-sided program plates in different languages (see the detergent compartment and the bag with the user handbook that comes with the machine).

You can replace or turn the card yourself to get the language most appropriate for you.

To remove the card from its holder in the detergent compartment, press the card with your thumb and push it sideways (see picture).



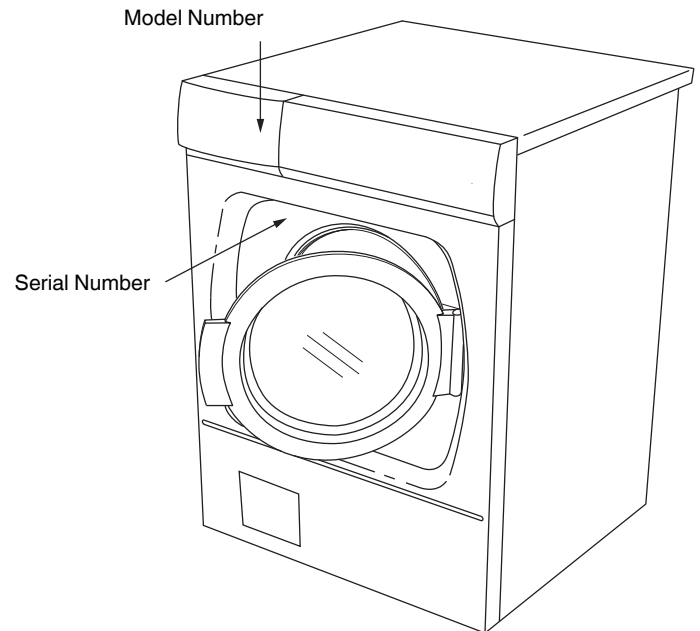
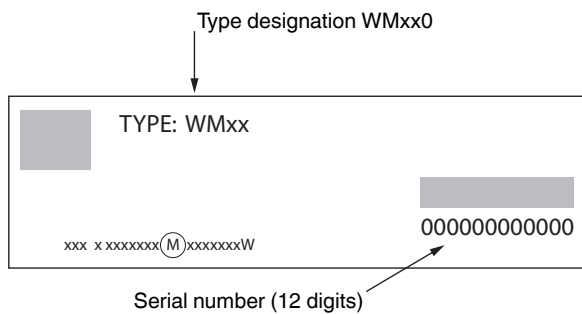
The card will then bend slightly and you can easily remove it. To fit the card, bend it slightly in order to easily insert it into the holder in the detergent compartment.

Service

Before contacting the service division

Before you contact the service division, make sure that you know the model number (located on the front panel), and serial number.

The model designation can be found on the detergent compartment. Type designation and serial number can be found on the type plate above the washer door.



Your notes

Your notes

Your notes

Quick guide

1 Washing

- Empty pockets and refasten zips.
- Read the item's laundry label.
- Sorting laundry.


Note!

Place underwired bras in a laundry net.

2 Load the laundry

- Press the main power switch.
- If the door is closed, press the Door opening button (key symbol). The red field lights up and the door will open after a few seconds.
- Load the laundry and close the door.

3 Detergent compartment

- Pour detergent into the main wash compartment, and pre-wash compartment as well if required. Pour fabric softener into the compartment on the right with the -symbol.
- If you use liquid detergent, follow the detergent manufacturer's recommendations.

4 Select the program

- Select a program by turning the program selector.
- Select options and settings.
- Press the Start/Stop button.

5 Program finished

- The washer door opens automatically once the program has finished.
- Remove the laundry.
- Turn off the main power switch.

If you have small children or pets at home, close the washer door once you have removed the laundry.