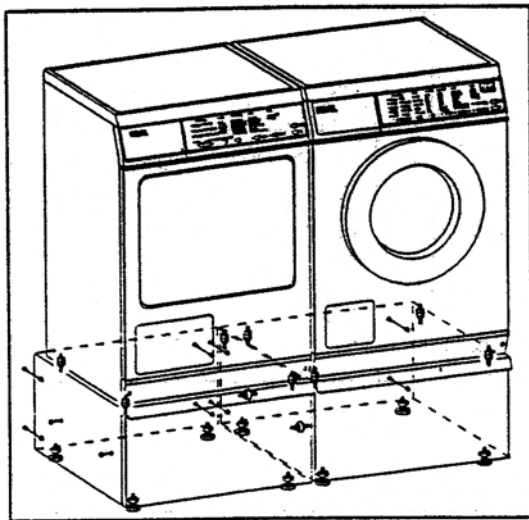


## Technical Information

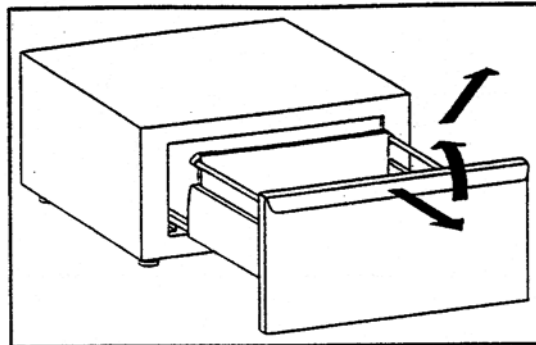
Date: June 7, 2004

To: Technical Service

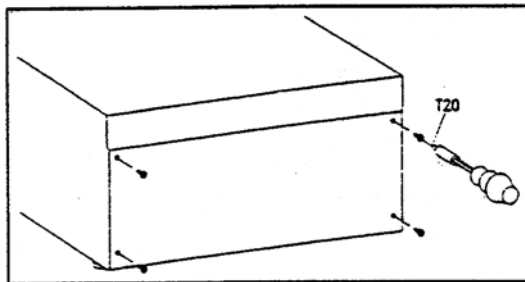
Subject: Washer/Dryer Stand W1113, 1119, 1203, 1213, 1215  
T1302, 1303, 1322C, 1323C, 1329C, 1403, 1405



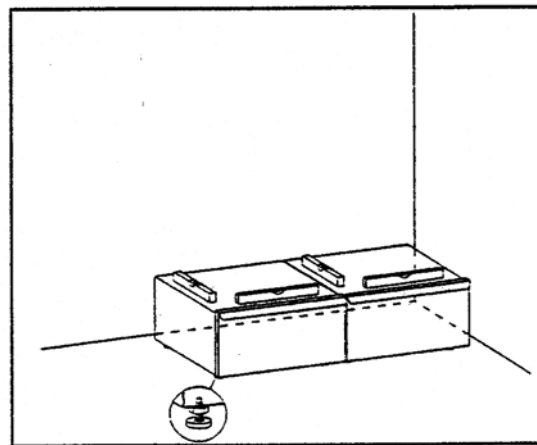
1



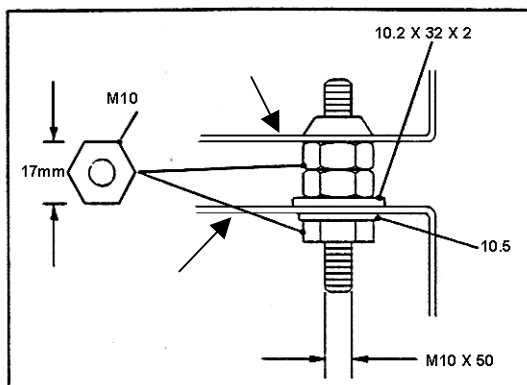
2



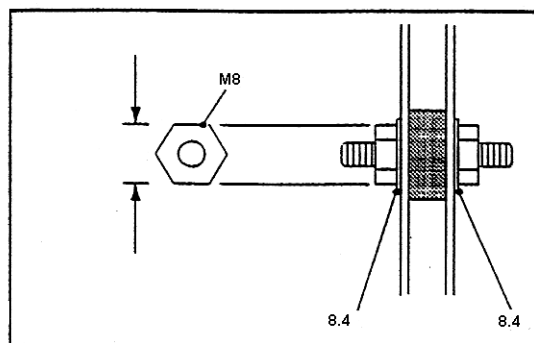
3



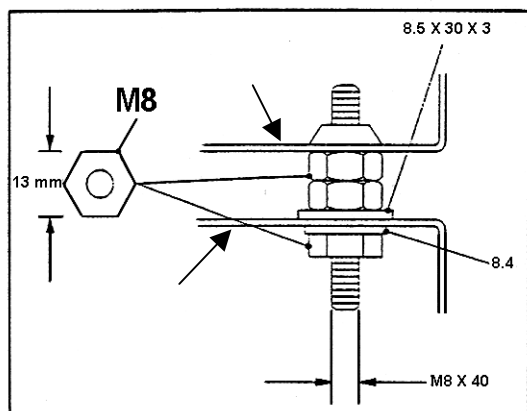
4



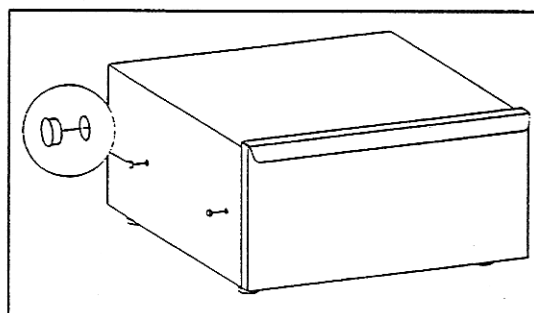
5



6



7



8

**Note:** The washer/dryer stand is designed for use with washers and dryers only. Use for any other purpose may result in damage to the machine or personal injury.

**DO NOT USE OR PLACE A STACKED WASHER AND DRYER ON THIS STAND!**

Carry out the following steps prior to installing the stands.

#### Drawer Removal

Pull the drawer out all the way. Lift upward to release and remove see Fig. 2.

#### Rear Panel Removal

Remove the rear panel screws (Torx T20) and remove the rear panel, see Fig. 3

#### Leveling

The stands must be leveled prior to installing the washer and dryer. Place the stands into their locations see Fig. 4. Adjust the feet until the stands are level. Tighten the counter nuts.

**Note:** The studs for the washer are larger (17mm) than the studs for the dryer (13mm)

### Washer Stand Installation

- Drain the unit, before laying it on its side.
- Remove the shipping struts
- Lay the washer on its right side. Be sure to lay the unit on a flat, soft underlay (i.e. carpet)
- Remove the washers feet
- Using the threaded studs and nuts provided (M10), screw 2 nuts midway onto each threaded stud.
- Screw the threaded studs (M 10) into the washer and tighten them see Fig. 5.
- Install a washer (10.2 x 32 x 2) on each threaded stud.
- Fit the stand onto the studs.
- Install a washer (10.5) on each threaded stud.
- Screw a nut (M 10) on each threaded stud and tighten.
- Stand the washer upright
- Install the washer stand rear panel using the 4 Torx screws provided see Fig. 3.
- Place the washer into its final position.
- Insert the 2 rubber bushings into the side holes of the washer stand. Install a washer and nut on each and tighten the nut see Fig.6.

### Dryer Stand Installation

- Drain the unit, before laying it on its side.
- Lay the dryer on its right side. Be sure to lay the unit on a flat, soft underlay (i.e. carpet)
- Remove the dryers feet
- Using the threaded studs and nuts provided (M8), screw 2 nuts midway onto each threaded stud.
- Screw the threaded studs (M 8) into the dryer and tighten them see Fig. 7.
- Install a washer (8.5 x 30 x 2) on each threaded stud.
- Fit the stand onto the studs.
- Install a washer (8.4) on each threaded stud.
- Screw a nut (M 8) on each threaded stud and tighten.
- Stand the dryer upright
- Install the dryer stand rear panel using the 4 Torx screws provided see Fig. 3.
- Place the dryer into its final position being sure to line up the studs of the rubber bushings with the holes on the dryer stand.
- Once the stands are together and in their final positions install a washer and nut onto each stud and tighten the nut see Fig.6.
- Install the caps into the open holes on the sides of the washer and dryer stand see Fig. 8.

### Leveling

Once the washer and dryer (with stands) are in their locations. Adjust the feet until the stands are level. Tighten the counter nuts.

### Installing the Drawers

- Pull out the stand drawer rails as far as possible.
- Place the drawer on the rails and close the drawer, see Fig. 2.
- The drawer locks into position automatically when it is closed.
- Open the drawer as far as possible then close it to check that it functions correctly