



Amana®

High-Efficiency

NAH6800

Washer

Use & Care Guide

Important Safety Instructions	1-2
Operating Instructions	2-5
Water Use	5
Features	6-7
Care and Cleaning	8
Storing the Washer	9
Reverse the Door	9
Troubleshooting	10-12
Operating Sounds	13
Questions and Answers	14
Amana® Major Appliance Warranty ...	15
Guía de uso y cuidado	16

WELCOME

Welcome and congratulations on your purchase of an Amana® washer! Your complete satisfaction is very important to us. For best results, we suggest reading this material to help acquaint you with proper operating and maintenance procedures.

Should you need assistance in the future, it is helpful to:

- 1) Have complete model and serial number identification of your washer. This is located on a data plate on the back door.

Date of Purchase _____

Model Number _____

Serial Number _____

- 2) **IMPORTANT: Keep this guide and the sales receipt in a safe place for future reference. Proof of original purchase date is needed for warranty service.**

If you have questions, write us (include your model, serial number and phone number)

or call:

Maytag Services, LLC
1-800-688-9900 USA
1-800-688-2080 USA TTY
(for deaf, hearing impaired or speech impaired)
(Mon.–Fri., 8am–8pm Eastern Time)
<http://www.maytag.com>

NOTE: In our continuing effort to improve the quality of our appliances, it may be necessary to make changes to the appliance without revising this guide.

For service and warranty information, see page 15.

IMPORTANT SAFETY INSTRUCTIONS

Read *before* operating your washer.

What you need to know about safety instructions

Warnings and Important Safety Instructions appearing in this guide are not meant to cover all possible conditions and situations that may occur. Common sense, caution, and care must be exercised when installing, maintaining or operating appliance.

Always contact your manufacturer about problems or conditions you do not understand.

RECOGNIZE SAFETY SYMBOLS, WORDS, LABELS

WARNING

WARNING – Hazards or unsafe practices which **COULD** result in severe personal injury or death.

CAUTION

CAUTION – Hazards or unsafe practices which **COULD** result in minor personal injury.

WARNING

To reduce the risk of fire, explosion, electric shock property damage or injury to persons when using your appliance, follow basic precautions, including the following:

1. Read all instructions *before* using the appliance.
2. As with any equipment using electricity and having moving parts, there are potential hazards. To use this appliance safely, the operator should become familiar with the instructions for operation of the appliance and always exercise care when using it.
3. **Do not** install or store this appliance where it will be exposed to the weather.
4. Install and level washer on a floor that can support the weight.
5. This appliance must be properly grounded. **Never** plug the appliance cord into a receptacle which is not grounded adequately and in accordance with local and national codes. See installation instructions for grounding this appliance.
6. To avoid the possibility of fire or explosion:
 - a. **Do not** wash items that have been previously cleaned in, washed in, soaked in or spotted with gasoline, dry-cleaning solvents, other flammable or explosive substances as they give off vapors that could ignite or explode. Hand wash and line dry any items containing these substances.
Any material on which you have used a cleaning solvent, or which is saturated with flammable liquids or solids, **should not** be placed in the washer until all traces of these liquids or solids and their fumes have been removed. These items include acetone, denatured alcohol, gasoline, kerosene, some liquid household cleaners, some spot removers, turpentine, waxes and wax removers.

IMPORTANT SAFETY INSTRUCTIONS CONT.

- b. **Do not** add gasoline, dry-cleaning solvents or other flammable or explosive substances to the wash water. These substances give off vapors that could ignite or explode.
 - c. Under certain conditions, hydrogen gas may be produced in a hot water system that has not been used for two weeks or more. **HYDROGEN GAS IS EXPLOSIVE.** If the hot water system has not been used for such a period, *before* using a washer or combination washer-dryer, turn on all hot water faucets and let the water flow from each for several minutes. This will release any accumulated hydrogen gas. As the gas is flammable, **do not** smoke or use an open flame during this time.
 - d. **Do not** wash or dry items that are soiled with vegetable or cooking oil. These items may contain some oil after laundering. Due to the remaining oil, the fabric may smoke or catch fire by itself.
7. **Do not** reach into the appliance if the tub or tumblers are moving.
 8. **Do not** allow children or pets to play on, in or in front of the appliance. Close supervision is necessary when the appliance is used near children and pets.
 9. **Do not** tamper with controls.
 10. **Do not** repair or replace any part of the appliance or attempt any servicing unless specifically recommended in published user-repair instructions that you understand and have the skills to carry out.
11. Unplug power supply cord *before* attempting to service your washer. Service is to be done only by qualified service personnel.
 12. Keep all laundry aids such as detergents, bleach, etc., out of the reach of children, preferably in a locked cabinet. Use laundry aids only as directed by the manufacturer. Observe all warnings on container labels.
 13. Keep the area around and underneath washer free from the accumulation of combustible materials, such as lint, paper, rags, gasoline, and all other flammable vapors and liquids.
 14. **Do not** use chlorine bleach and ammonia or acids (such as vinegar or rust remover) in the same wash. Hazardous fumes can form.
 15. **Do not** machine wash fiberglass materials. Small particles can stick to fabrics washed in following loads and cause skin irritation.
 16. For flame resistant finishes - follow garment manufacturer's instructions carefully. Improper laundering could remove the finish.
 17. *Before* the appliance is removed from service or discarded, remove the door to the washing compartment.
 18. Inlet hoses are subject to damage and deterioration over time. Check the hoses periodically for bulges, kinks, cuts, wear or leaks and replace them every five years.

SAVE THESE INSTRUCTIONS

OPERATING INSTRUCTIONS

Step 1

LOAD THE WASHER

- The tub can be loaded completely full with dry, unfolded clothes. However, **do not** pack the tub tightly.
- Overloading may reduce washing efficiency and possibly cause creasing or wrinkling of the load.
- When washing big, bulky items or a couple of small items that do not fill the tub completely, such as a rug or two sweaters, a few towels should be added for improved tumbling and spin performance.
- To assure good cleaning results, it is very important to avoid overloading the washer when washing heavily soiled loads.
- To load a forgotten item, press the **START/PAUSE** pad, add the item, close the door and press the **START/PAUSE** pad again. After a 15 to 30 second pause, the cycle will resume.
- Close door carefully to avoid slamming.

NOTE: To assure that your additional items get clean, **do not** wait more than five minutes after the cycle has started to add the item.

Control features vary by model.

OPERATING INSTRUCTIONS

Step 2

SELECT FABRIC CYCLES

Press the appropriate pad for the type of load. This will determine the tumble/pause pattern and spin speed for the cycle.

NOTE: To minimize wrinkling of loads, select **NO-IRON WEAR** fabrics setting.

HAND WASH – Alternating periods of short and long soak and gentle spin speed. Use for items labeled “hand wash”.

DELICATES – Gentle tumble action and gentle spin speed. Use for dress shirts/blouses, nylons and sheer or lacy garments.

NO-IRON WEAR – Reduced tumble pattern and spin speed to reduce wrinkling. Use for dress shirts/pants, wrinkle free clothing and poly/cotton blend clothing.

COTTON/STURDY – Normal tumble pattern and high speed spin. Use for towels, jeans, sheets, linens, underwear and t-shirts.

FABRIC CYCLES



Step 3

SELECT WASH/RINSE WATER TEMPERATURES

Press the appropriate “^” or “v” pad to select the wash and rinse water temperatures. Follow the garment care label and chart below for best results.

HOT/COLD – Whites and heavily soiled color-fast items

WARM/WARM – Color-fast items. When warm rinse is selected, only the third rinse will be warm. The first and second rinses will be cold to conserve energy.

WARM/COLD – Moderately soiled color-fast items; most wrinkle free items

COLD/COLD – Brightly colored, lightly soiled items; washable woolsens

TEMP-ASSURE (select models) – The controlled heating feature can be used with any wash/rinse temperature to optimize cleaning performance. When on, the water heater will help maintain the wash water temperature during the wash cycle.

WASH/RINSE TEMP



- HOT/COLD
- WARM/WARM
- WARM/COLD
- COLD/COLD



TEMP-ASSURE
CONTROLLED HEATING

IMPORTANT: The washer features an automatic temperature control to provide a warm wash of approximately 105° F and cold wash of approximately 65° F.

While the washer is filling, you may notice just hot and/or just cold water going through the dispenser when cold or warm wash temperatures are selected. This is a normal function of the automatic temperature control feature as the washer determines the temperature of the water.

NOTE: In wash water temperatures below 60° F, detergents do not dissolve well or clean well. Care labels define cold water as up to 85° F.

OPERATING INSTRUCTIONS

Step 4

SELECT SOIL LEVEL OR SPECIAL CYCLES

Press the appropriate pad to select the soil level or special cycle.

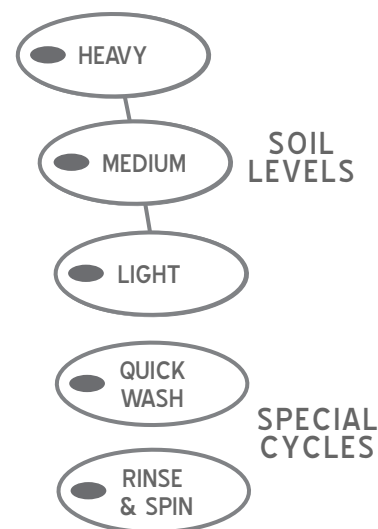
HEAVY – Use for cleaning heavily soiled loads.

MEDIUM – Use for cleaning moderately soiled loads. This setting will be appropriate for most loads.

LIGHT – Use for cleaning lightly soiled loads.

QUICK WASH – The QUICK WASH setting offers a quick cycle time. Suggested uses include freshening newly purchased clothes, or clothing that has been packed away.

RINSE & SPIN – Choose this setting to rinse only and then spin.



Step 5

SELECT OPTIONS

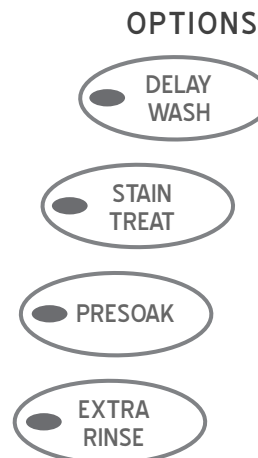
Press the appropriate pad(s) to select one or more options.

DELAY WASH – Allows the start of any cycle to be delayed for up to 9 hours. Make the appropriate selection for your load, then press the **DELAY WASH** pad *once* for one hour or press the pad again to increase the delay wash time up to 9 hours in one hour increments.

STAIN TREAT – Adds time to the wash and rinses for better stain removal. Automatically provides a fourth rinse.

PRESOAK – Adds 15 minutes of mostly soaking with minimal tumbling before the regular cycle. Can be selected with any cycle.

EXTRA RINSE – A fourth rinse at the end of the cycle to more completely remove laundry additives and perfumes.



SELECT SPIN OPTIONS/SIGNAL

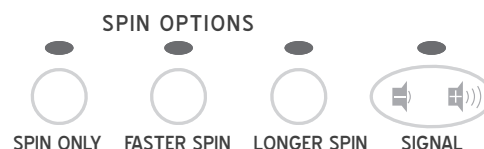
SPIN ONLY – Spins only.

FASTER SPIN – Use for jeans, towels and bedding. Removes more water from loads during spin.

LONGER SPIN – Use for jeans, towels and bedding. Removes more water from loads during spin by adding one minute to the spin time.

NOTE: To minimize wrinkling of wrinkle free fabrics, the **FASTER SPIN** and **LONGER SPIN** options are not recommended. **Do not** overload the washer.

SIGNAL – Press the “+” or “-” SIGNAL pad to increase or decrease the end of cycle signal volume.



OPERATING INSTRUCTIONS

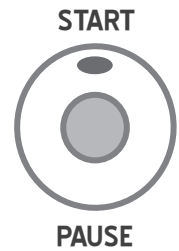
Step 6

START YOUR WASHER

- Close the door.
- Add detergent and additives to the dispenser (See page 6).
- Push the **START/PAUSE** pad.
- When the washer is started after a pause, there will be a 30-second delay before continuing the cycle.

Pressing **OFF** cancels the cycle and stops the washer,

NOTE: When the cycle is complete, the DOOR LOCKED light will go out. The door will open easily. **Do not** attempt to open the washer door when the door locked light is illuminated. To add a forgotten item, see page 2.



ESTIMATED TIME DISPLAY

After pressing START/PAUSE, this display will show the estimated time remaining in the cycle. The estimated time remaining may fluctuate to better indicate the wash time left in the cycle.



INDICATOR LIGHTS

DOOR LOCKED – Lights whenever the door of the washer is locked. The door can be unlocked by pressing the **START/PAUSE** pad to stop the washer.

Pad Indicator Lights – The indicator lights above the pads will illuminate when the pad is selected.



WATER USE

The amount of water used will vary with each load. The washer uses an adaptive fill valve to provide the appropriate amount of water for efficient cleaning performance and conservation of water and energy. Fill time will vary depending on water pressure.

FEATURES

DETERGENT

Your washer is designed to use either high efficiency (HE) detergents or regular detergents normally used with top-loading washers.

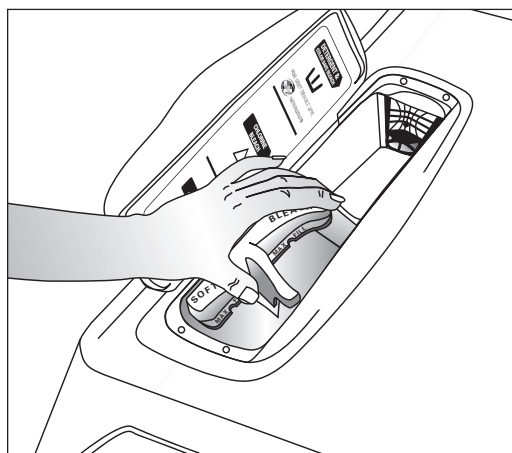


- For best cleaning results, use a high efficiency detergent such as Tide HE or Wisk HE*. High efficiency detergents contain suds suppressors which reduce or eliminate suds. When less suds are produced, the load tumbles more efficiently and cleaning results are maximized.
- When using regular detergent formulated for top-loading washers, it is important to pay close attention to the soil level of the load, load size and water hardness**. **To avoid over-sudsing, reduce the amount of detergent used with soft water or with small or lightly soiled loads.**

AUTOMATIC DISPENSER

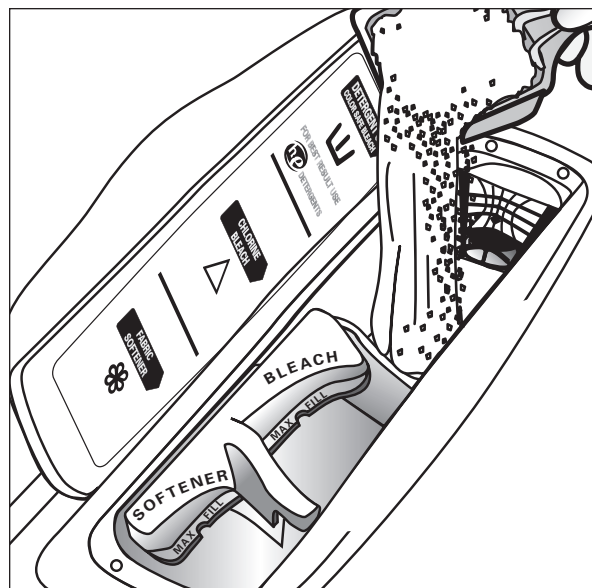
The automatic dispenser consists of three compartments which hold 1) liquid or granular detergent and color safe bleach, 2) liquid chlorine bleach and 3) liquid fabric softener. All laundry products can be added at once in their respective dispenser compartments. They will be dispensed at the appropriate time for most effective cleaning.

After loading the laundry additives into the dispenser, close the dispenser lid.



DETERGENT COMPARTMENT

1. Pour the recommended amount of laundry detergent directly into the detergent compartment *before* starting the washer or as it is filling.
2. If color-safe bleach is to be used, it should be added with detergent to the detergent compartment for best results.
 - When adding color-safe bleach with detergent, it is best if *both* laundry products are in the same form; granular or liquid.



* Brand names are trademarks of the respective manufacturers.

** To determine water hardness in your area, contact your local water utility or State University Extension office in your area.

FEATURES

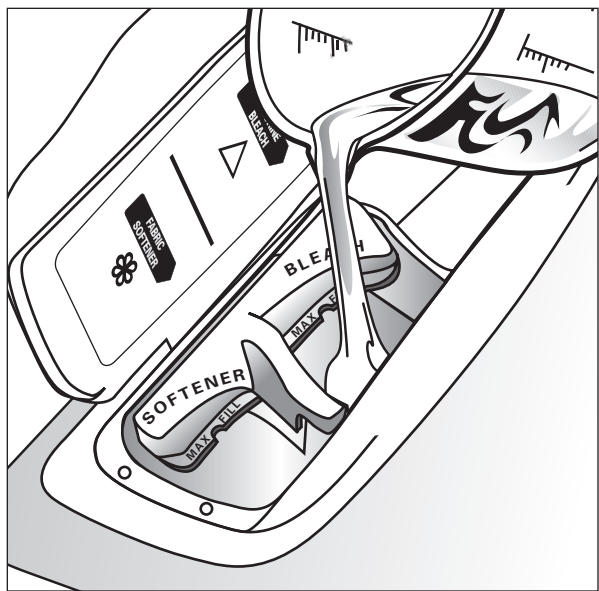
BLEACH COMPARTMENT

(Liquid Chlorine Bleach Only)

1. Add chlorine bleach to the bleach compartment. **Do not** exceed the MAX FILL line. The liquid chlorine bleach compartment will hold 3/4 of a cup.
2. Avoid splashing or over-filling the compartment. **Over-filling the compartment will release the liquid chlorine bleach into the washer too early.**
3. The washer automatically dispenses bleach into the tub at the appropriate time in the wash cycle.
4. The dispenser automatically dilutes liquid chlorine bleach before it reaches the wash load.

NOTES:

- **Never** pour undiluted liquid chlorine bleach directly onto the load or into the tub. It is a powerful chemical and can cause fabric damage, such as weakening of the fibers or color loss, if not used properly.
- If you prefer to use color-safe, non-chlorine bleach, add it to the detergent compartment. **Do not pour color-safe bleach into the bleach compartment.**

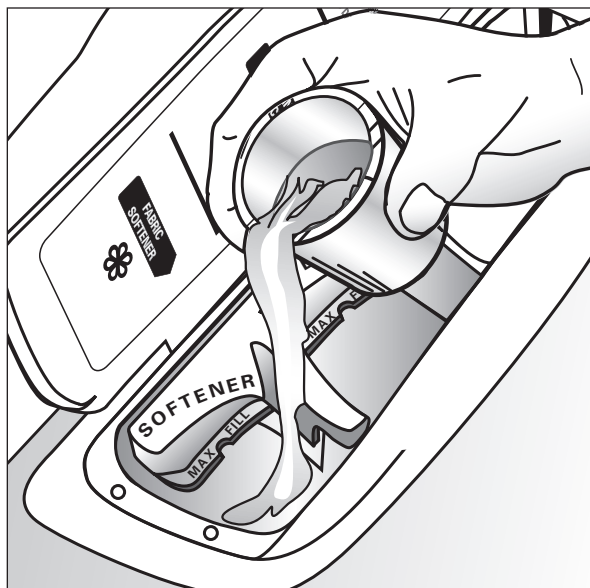


SOFTENER COMPARTMENT

1. Pour the recommended amount of liquid fabric softener into the softener compartment. For smaller loads use less than one capful.
2. Fabric softener should be diluted with warm water until it reaches the MAX FILL line on the compartment. **Do not fill above the MAX FILL line. If the compartment is filled above the MAX FILL line, fabric softener will enter the washer too early.**
3. This compartment automatically releases liquid fabric softener at the proper time during the rinse cycle.

NOTES:

- Use the softener compartment only for liquid fabric softeners.
- Using the Downy Ball* is not recommended with this washer. It will not add fabric softener at the appropriate time. Use the dispenser on top of the washer.



* Brand names are trademarks of the respective manufacturers.

CARE AND CLEANING

Turn off the water faucets after finishing the day's washing. This will shut off the water supply to the washer and prevent the unlikely possibility of damage from escaping water. Leave the door open to allow the inside of the washer to dry out.

Use a soft cloth to wipe up all detergent, bleach or other spills as they occur.

Clean the following as recommended:

Control Panel – Clean with a soft, damp cloth.

Do not use abrasive powders or cleaning pads.

Do not spray cleaners directly on the panel.

Cabinet – Clean with soap and water.

Antimicrobial Product Protection

This washer is equipped with antimicrobial component protection. The rubber door seal is treated to be resistant to mold, mildew and odor-causing bacteria.

CLEANING THE INTERIOR

Clean the interior of the washer periodically to remove any dirt, soil, odor, mold, mildew or bacteria residue that may remain in the washer as a result of washing clothes. We recommend taking the following steps every 60 to 120 days to clean and freshen your washer interior. The frequency with which the washer should be cleaned and freshened depends on factors such as usage, the amount of dirt, soil or bacteria being run through your washer or the use of cold water. Failure to follow these instructions may result in unsatisfactory conditions, including unpleasant odor and/or permanent stains on the washer or washload.

To clean and freshen the washer interior:

1. Make a solution of one cup chlorine bleach and two cups warm water. Be careful not to spill or splash the bleach solution.
2. Wipe the lower portion of gray door seal with bleach solution and soft cloth.
3. Fill the bleach dispenser with chlorine bleach.
4. Run the washer through a complete cycle using hot water.
5. Repeat the wash cycle if necessary.

Hard water deposits may be removed, if needed, using a recommended cleaner labeled “clothes washer safe.”

CLEANING THE DISPENSER

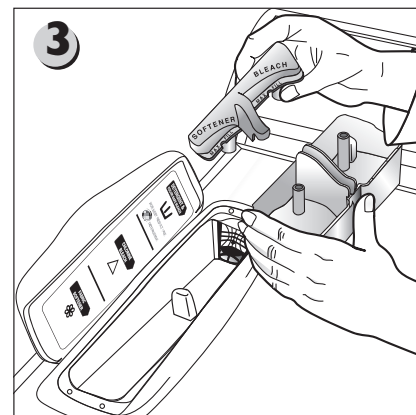
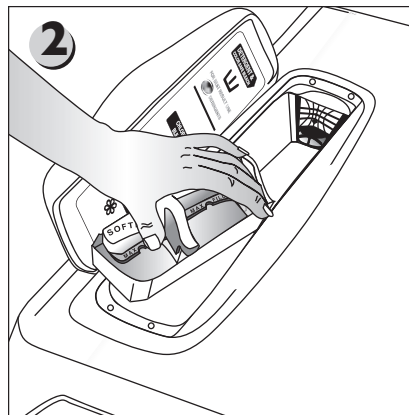
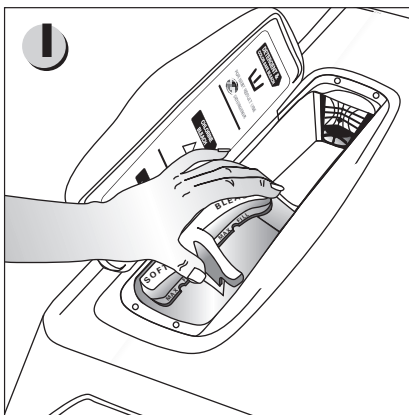
The dispenser may need to be cleaned periodically due to laundry additive build-up. For easy cleanup of the dispenser, grasp the removable two-compartment container (for bleach and softener) as shown in illustration #1. As you begin to lift the two-compartment container, tilt slightly *inward*, according to illustration #2 and remove from the main dispenser.

Once the two-compartment container is removed from the main dispenser, take it to a sink. Follow illustration #3 to

remove the cap covering the siphon tube for the bleach and softener. Run warm water and a soft brush or cloth over the two parts to remove any excess laundry additives.

Clean the main dispenser area using water and a soft cloth. Once the main dispenser is clean, follow the illustrations in reverse order to replace the two compartment container to its original location.

NOTE: Do not use any cleaning substance but water in the main dispenser. It is possible for cleaning substances to drain into the tub. If this should happen, set the washer for a rinse and spin cycle to remove any cleaning substance from the washer *before* doing a load of laundry.



STORING THE WASHER

Washers can be damaged if water is not removed from hoses and internal components before storage. Prepare the washer for storage as follows:

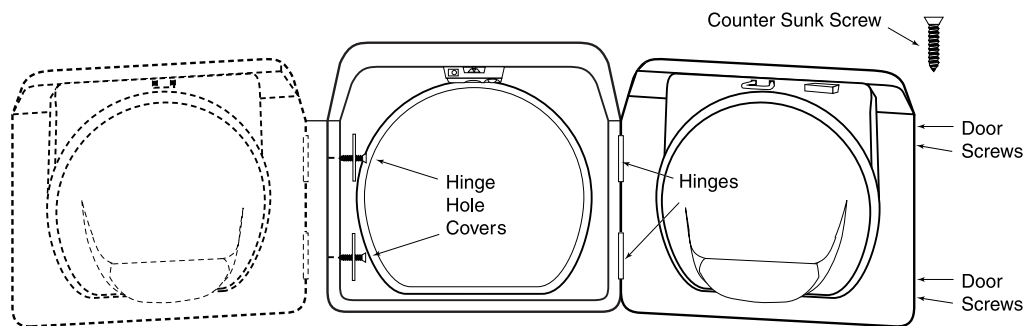
- Select the **COTTON/STURDY** and **QUICK WASH** settings and add one cup of bleach to the detergent dispenser without clothes in the tumbler. Run the washer through a complete cycle using hot water.
- Turn the water faucets off and disconnect the inlet hoses.
- Disconnect the washer from the electrical supply and leave the washer door open to let air circulate inside the tumbler.
- If the washer has been stored in below-freezing temperatures, allow time for any water left over in the washer to thaw out prior to use.

For information on long-term storage or storage of your washer during extreme cold temperatures, call Maytag Services, LLC toll-free at 1-800-688-9900 USA. U.S. customers using TTY for deaf, hearing impaired or speech impaired, call 1-800-688-2080.

REVERSE THE DOOR

Washer door swing direction can be changed using the following procedure:

- 1) Swing door fully open and support it while removing four hinge screws (which hold hinges to door assembly).
- 2) Move the door to a work surface and transfer four door screws to the opposite side of the door assembly.
- 3) Remove one screw holding top hinge to cabinet and one screw holding top hinge cover to cabinet (opposite side).
- 4) Remove hinge and bracket from cabinet by moving them up and down to a position where they are released.
- 5) Install hinge and bracket in swapped locations and drive screws to attach them securely to the cabinet.
- 6) Compare top hinge and top bracket to bottom hinge and bottom bracket for correct hinge assembly position.
- 7) Repeat procedures 4 through 6 for bottom hinge to cabinet and bottom bracket to cabinet.
- 8) Support door in fully open position on hinge side and drive four screws to securely attach hinges to door assembly.
- 9) Close door and check to see that washer operates properly.



TROUBLESHOOTING

CHECK THESE POINTS IF YOUR WASHER...

<p>Load is Too Wet at End of Cycle</p>	<ul style="list-style-type: none"> • Use FASTER SPIN and LONGER SPIN options. • Try using a high efficiency detergent to reduce sudsing. • Load is too small. Very small loads (one or two items) may become unbalanced and not spin out completely.
<p>Leaks Water</p>	<ul style="list-style-type: none"> • Make sure door is firmly closed. • Make sure hose connections are tight. • Make sure end of drain hose is correctly inserted and secured to drain facility. • Avoid overloading. • Use high efficiency detergent to prevent over-sudsing.
<p>Won't Spin or Drain</p>	<ul style="list-style-type: none"> • Check fuse or reset circuit breaker. • Straighten drain hoses. Eliminate kinked hoses. If there is a drain restriction, call for service. • Close the door and push the START/PAUSE pad. For your safety, washer will not tumble or spin unless the door is closed. • After pressing the START/PAUSE pad, it will take 30 seconds before the washer begins to spin. The door must lock before spin can be achieved. • See <i>Tube is Completely Full of Suds</i> below.
<p>Stops</p>	<ul style="list-style-type: none"> • Plug cord into live electrical outlet. • Check fuse or reset circuit breaker. • Close door and push the START/PAUSE pad to start the washer. For your safety, washer will not tumble or spin unless door is closed. • This may be a pause or soak period in the cycle. Wait briefly and it may start. • Check screens on inlet hoses at the faucets for obstructions. Clean screens periodically.
<p>Tube is Completely Full of Suds</p>	<ul style="list-style-type: none"> • Run the washer through another complete cycle using cold water. • Reduce detergent amount for that specific load size, soil level and water hardness. • Use high efficiency or low sudsing detergent specially formulated for front load washers.
<p>Fills with the Wrong Temperature Water</p>	<ul style="list-style-type: none"> • Turn both faucets on fully. • Make sure temperature selection is correct. • Make sure hoses are connected to correct faucets. Flush water lines. • Check the water heater. It should be set to deliver a minimum of 120° F (49° C) hot water at the tap. Also check water heater capacity and recovery rate. • Disconnect hoses and clean screens. Hose filter screens may be plugged. • When warm rinse is selected, only the final rinse will be warm. The first two rinses will be cold. • As the washer is filling, the water temperature may change as the automatic temperature control feature checks incoming water temperature. This is normal. • While the washer is filling, you may notice just hot and/or just cold water going through the dispenser when cold or warm wash temperatures are selected. This is a normal function of the automatic temperature control feature as the washer determines the temperature of the water.

Cont.

TROUBLESHOOTING CONT.

CHECK THESE POINTS IF YOUR WASHER...

Won't Fill	<ul style="list-style-type: none">• Be sure the door is tightly closed.• Plug cord into a live electrical outlet.• Check fuse or reset circuit breaker.• Press the START/PAUSE pad.• Turn both faucets on fully.• Straighten inlet hoses.• Disconnect hoses and clean screens. Hose filter screens may be plugged.• Open and close the door, then push the START/PAUSE pad.
Won't Tumble	<ul style="list-style-type: none">• Check fuse or reset circuit breaker.• Close the door and press the START/PAUSE pad. For your safety, the washer will not tumble or spin unless the door is closed.
Door Locked Shut; Will Not Open	<ul style="list-style-type: none">• Press the START/PAUSE pad to stop the machine.• It may take a few moments for the door lock mechanism to disengage.
Freshening Your Washer	<ul style="list-style-type: none">• See <i>Cleaning the Interior</i>, page 8.
Is Noisy	<ul style="list-style-type: none">• Washer should be leveled properly as outlined in installation instructions.• Check that the leveling leg lock nuts are tightened.• Be sure rubber feet are installed on leveling legs.• Weak floors can cause vibration and walking.• For information on normal operating sounds, see page 13.

**For further assistance, call Maytag Services, LLC toll-free at 1-800-688-9900 USA.
U.S. customers using TTY for deaf, hearing impaired or speech impaired, call 1-800-688-2080.**

TROUBLESHOOTING CONT.

HELP CODES

Help codes may be displayed to help you better understand what is occurring with the washer.

Code Symbol	Meaning	Solution
do	The washer detects that the door is open when starting a cycle or the door is not locking.	Close the door tightly and restart the cycle.
FL	The washer failed to lock the door.	Close the door tightly and restart the cycle.
Sd	Oversudsing has occurred. If this code disappears, the suds recovery cycle was successful.	Reduce the amount of detergent used for that specific load.
PF	The washer experienced a power failure.	Restart the cycle. If code is still displayed, check to make sure power cord is securely plugged in.
nd	The washer experienced difficulty draining.	Check for a kinked drain hose. Check for a plugged stand pipe.
LO	The washer has repeatedly tried to unlock the door but has been unsuccessful.	Make sure door is tightly closed. Push the OFF button and then wait two minutes for the door to unlock. OR Unplug the washer for two minutes and plug back in.
Lr	Motor not running properly.	Call for service. See below.
nF	The washer has tried to fill.	Make sure the water faucets are open all the way. Check for kinked hoses.
od	The washer door must be opened.	This is a safety feature. The door must be opened before another cycle is started.

For any codes not listed above, call Maytag Services, LLC toll-free at 1-800-688-9900 USA. U.S. customers using TTY for deaf, hearing impaired or speech impaired, call 1-800-688-2080.

OPERATING SOUNDS

NORMAL OPERATING SOUNDS OF YOUR WASHER

High-pitched sound during a spin cycle.

The motor increases speed to spin the tub to remove moisture from the load.

Flushing water sound coming from the dispenser area.

Detergent is dispensed at the start of the cycle. Bleach is dispensed at the appropriate time in the wash cycle. Fabric softener is dispensed during the third rinse while the washer is filling.

Sloshing or gurgling water sound when washer is off and the tub is rotated.

The sealed balance ring around the tub contains a liquid and is designed to make the washer spin smoothly.

Whirring or sloshing sound followed by a pause, repeated throughout the wash cycle.

The tub rotates one direction followed by a pause. The tub reverses direction and pauses. This action continues throughout the cycle.

Washer maintains a **slightly reduced spin speed** after achieving a higher spin speed.

After reaching the maximum spin speed, the machine may reduce spin speed slightly for maximum performance.

The spin speed **slows down dramatically** when it sounds like an out-of-balance load.

The tumbler will begin to accelerate to speed, then slows back down to redistribute the load more evenly when an unbalanced load occurs.

Water is added after the washer has been tumbling for a while.

The washer uses a true adaptive fill and adds more water during the wash cycle as it is needed.

OR

Water flows through the dispenser to dilute and add bleach or fabric softener at the appropriate time. This will occur even if bleach and fabric softener are not used.

Clicking/draining sounds when washer is started.

Before the washer starts to fill, it will make a series of clicking noises to check the door lock and do a quick drain.

QUESTIONS AND ANSWERS

Q. What's the best cycle to use if I have stains on my laundry?

A. Select the **STAIN TREAT** option pad and **HEAVY** (see page 4) setting. Pretreat the stains with a laundry pre-treat product.

Q. How large of a load can I wash in my washer?

A. The tub can be loaded completely full with dry, unfolded clothes. However, **do not** pack the tub tightly. If the load is heavily soiled it is very important not to overload the washer.

Q. At the end of the cycle my load comes out wetter than normal. What causes this?

A. During tumble and spin the washer may have had difficulty getting to a full spin speed because the load was not evenly distributed. This can occur with small loads, heavy items or a load in which too much detergent was used, causing over-sudsing.

Q. My laundry items seem to be very wrinkled at the end of the cycle. What can I do to correct the problem?

A. Wrinkling is caused by the combination of heat and pressure. Be sure wrinkle free or permanent press fabrics are washed on the **NO-IRON WEAR** cycle, and a cold rinse is used. (See pg. 3 for Wash/Rinse Water Temperatures). **DO NOT USE FASTER SPIN OR LONGER SPIN OPTIONS.**

Q. My whites are not as white as I'd like. What can I do?

A. Wash white loads using the **COTTON/STURDY** fabric selection. Select the HOT/COLD temperature setting and put 3/4 cup of chlorine bleach in the bleach dispenser. The bleach will be dispensed at the appropriate time in the wash cycle for optimal performance. A hot water wash temperature of 120 - 140° F (49° - 60° C) is recommended.

AMANA® MAJOR APPLIANCE WARRANTY

ONE YEAR LIMITED WARRANTY

For one year from the date of purchase, when this major appliance is operated and maintained according to instructions attached to or furnished with the product, Amana brand of Maytag Corporation or Maytag Limited (hereafter "Amana") will pay for factory specified replacement parts and repair labor to correct defects in materials or workmanship. Service must be provided by a Amana designated service company. This limited warranty applies only when the major appliance is used in the country in which it was purchased.

ITEMS AMANA WILL NOT PAY FOR

1. Service calls to correct the installation of your major appliance, to instruct you how to use your major appliance, to replace or repair house fuses or to correct house wiring or plumbing.
 2. Service calls to repair or replace appliance light bulbs, air filters or water filters. Those consumable parts are excluded from warranty coverage.
 3. Repairs when your major appliance is used for other than normal, single-family household use.
 4. Damage resulting from accident, alteration, misuse, abuse, fire, flood, acts of God, improper installation, installation not in accordance with electrical or plumbing codes, or use of products not approved by Amana.
 5. Any food loss due to refrigerator or freezer product failures.
 6. Replacement parts or repair labor costs for units operated outside the United States or Canada.
 7. Pickup and delivery. This major appliance is designed to be repaired in the home.
 8. Repairs to parts or systems resulting from unauthorized modifications made to the appliance.
 9. Expenses for travel and transportation for product service in remote locations.
 10. The removal and reinstallation of your appliance if it is installed in an inaccessible location or is not installed in accordance with published installation instructions.
 11. Replacement parts or repair labor costs when the major appliance is used in a country other than the country in which it was purchased.
-

DISCLAIMER OF IMPLIED WARRANTIES; LIMITATION OF REMEDIES

CUSTOMER'S SOLE AND EXCLUSIVE REMEDY UNDER THIS LIMITED WARRANTY SHALL BE PRODUCT REPAIR AS PROVIDED HEREIN. IMPLIED WARRANTIES, INCLUDING WARRANTIES OF MERCHANTABILITY OR FITNESS FOR A PARTICULAR PURPOSE, ARE LIMITED TO ONE YEAR OR THE SHORTEST PERIOD ALLOWED BY LAW. AMANA SHALL NOT BE LIABLE FOR INCIDENTAL OR CONSEQUENTIAL DAMAGES. SOME STATES AND PROVINCES DO NOT ALLOW THE EXCLUSION OR LIMITATION OF INCIDENTAL OR CONSEQUENTIAL DAMAGES, OR LIMITATIONS ON THE DURATION OF IMPLIED WARRANTIES OF MERCHANTABILITY OR FITNESS, SO THESE EXCLUSIONS OR LIMITATIONS MAY NOT APPLY TO YOU. THIS WARRANTY GIVES YOU SPECIFIC LEGAL RIGHTS AND YOU MAY ALSO HAVE OTHER RIGHTS, WHICH VARY FROM STATE TO STATE OR PROVINCE TO PROVINCE.

Outside the 50 United States and Canada, this warranty does not apply. Contact your authorized Amana dealer to determine if another warranty applies.

If you need service, first see the "Troubleshooting" section of the Use & Care Guide. After checking "Troubleshooting," additional help can be found by checking the "Assistance or Service" section or by calling Amana. In the U.S.A., call **1-800-688-9900**. In Canada, call **1-800-688-2002**.



Amana®

Alta Eficiencia

NAH6800

Lavadora

Guía de uso y cuidado

**Instrucciones importantes
de seguridad 17-18**

Instrucciones de funcionamiento .. 19-22

Uso del agua 22

Características 22-23

Cuidado y limpieza 24

Almacenamiento de la lavadora 25

Inversión de la puerta de la lavadora .. 25

Solución de problemas 26-28

**Sonidos normales de
funcionamiento 29**

Preguntas y respuestas 30

**Garantía de los electrodomésticos
principales de Amana® Última página**

BIENVENIDA

¡Nuestra bienvenida y felicitaciones por la compra de una lavadora Amana®! Su completa satisfacción es muy importante para nosotros. Para obtener los mejores resultados le sugerimos que lea esta guía para familiarizarse con los procedimientos apropiados de funcionamiento y mantenimiento.

Si usted necesita ayuda en el futuro, es útil tener:

- 1) El número completo de modelo y de serie para identificación de su lavadora. Se encuentran en una placa de datos situada en la puerta.

Fecha de Compra _____

Número de Modelo _____

Número de Serie _____

- 2) **IMPORTANTE: Conserve esta guía y el recibo de compra en un lugar seguro para referencia futura. Para obtener servicio bajo la garantía es necesario comprobar la fecha de compra original.**

Si tiene alguna consulta, escríbanos (incluya el número de modelo y de serie y su número de teléfono) o llame a:

Maytag Services, LLC
1-800-688-9900 EE.UU.
(Lunes a Viernes, 8:00 a.m. - 8:00 p.m.
Hora del Este)
<http://www.maytag.com>

NOTA: En nuestro continuo afán de mejorar la calidad de nuestros electrodomésticos, puede que sea necesario hacer modificaciones a la lavadora sin actualizar esta guía.

Para información sobre servicio y garantía, ver la Última página.

INSTRUCCIONES IMPORTANTES DE SEGURIDAD

Lea estas instrucciones *antes* de poner en funcionamiento su lavadora.

Ahora debe conocer las instrucciones de seguridad

Las advertencias y las instrucciones importantes de seguridad que aparecen en este manual no tienen el propósito de cubrir todas las condiciones posibles que podrían ocurrir. Debe usarse sentido común, precaución y cuidado cuando se instale, se presente mantenimiento o se opere el electrodoméstico.

Siempre comuníquese con el distribuidor, concesionario, agente de servicio o fabricante para los asuntos relacionados con problemas o condiciones que no entienda.

RECONOZCA LOS SÍMBOLOS DE SEGURIDAD, ADVERTENCIAS, ETIQUETAS

ADVERTENCIA

ADVERTENCIA – Peligros o prácticas no seguras que **PODRÍAN** causar lesión personal grave o mortal.

PRECAUCIÓN

PRECAUCIÓN – Peligros o prácticas no seguras que **PODRÍAN** causar lesión personal menos grave.

ADVERTENCIA

Para reducir el riesgo de incendio, explosión, choque eléctrico, daños materiales o lesiones personales cuando usa su electrodoméstico, siga las precauciones básicas y las que se indican a continuación:

1. Lea todas las instrucciones *antes* de usar el electrodoméstico.
2. Al igual que con cualquier equipo que utiliza electricidad y que tiene piezas móviles, existen ciertos riesgos potenciales. Para usar este electrodoméstico con seguridad, el usuario debe familiarizarse con las instrucciones de funcionamiento del electrodoméstico y tener siempre cuidado cuando lo usa.
3. **No** instale ni almacene este electrodoméstico donde pueda estar expuesto a las inclemencias del tiempo.
4. Instale y nivele la lavadora sobre un piso firme que pueda soportar el peso.
5. Este electrodoméstico debe ser puesto a tierra de manera apropiada. **Nunca** enchufe el cordón del electrodoméstico en un tomacorriente que no esté debidamente puesto a tierra y de acuerdo con el código nacional y local. Vea las instrucciones de instalación para la puesta a tierra de este electrodoméstico.
6. Para evitar la posibilidad de incendio o explosión:
 - a. **No** lave artículos que han sido previamente limpiados, lavados, sumergidos o manchados con gasolina, solventes de limpiar en seco u otras sustancias inflamables o explosivas pues pueden emitir vapores inflamables o producir una explosión. Lave a mano y cuelgue en una cuerda de secar cualquier artículo que contenga estas sustancias.

INSTRUCCIONES IMPORTANTES DE SEGURIDAD (CONT.)

- Cualquier material en el cual se haya usado un agente de limpieza o que esté saturado con líquidos o sólidos inflamables, **no** debe ser colocado en la lavadora hasta que todos los restos de estos líquidos o sólidos y sus vapores hayan sido eliminados. Estos artículos incluyen acetona, alcohol desnaturalizado, gasolina, kerosén, algunos líquidos de limpieza domésticos, algunos quitamanchas, agua ras, ceras y quitaceras.
- b. **No** agregue gasolina, solventes de lavado en seco ni otras sustancias inflamables o explosivas al agua del lavado. Estas sustancias emiten vapores que pueden encenderse o explotar.
 - c. Bajo ciertas condiciones, se puede producir gas hidrógeno en un sistema de agua caliente que no ha sido usado durante dos semanas o más. **EL GAS HIDROGENO ES EXPLOSIVO.** Si el sistema del agua caliente no ha sido usado durante tal período, *antes* de usar una lavadora o una combinación de lavadora y secadora, abra todas las llaves del agua caliente y deje que el agua escurra durante varios minutos. Esto eliminará cualquier gas hidrógeno acumulado. Debido a que el gas es inflamable, **no** fume ni use una llama abierta durante este período.
 - d. **No** lave ni seque artículos que estén sucios con aceite vegetal o de cocinar. Estos artículos pueden contener algo de aceite después de ser lavados. Debido al aceite remanente, la tela puede echar humo o prenderse fuego por sí sola.
7. **No** introduzca su mano en la lavadora si la tina está en movimiento.
 8. **No** deje que los niños jueguen en la lavadora o dentro de ella. Es necesario supervisar estrictamente a los niños cuando la lavadora está siendo usada cerca de ellos.
 9. **No** altere los controles.
 10. **No** repare ni reemplace ninguna pieza de la lavadora ni intente efectuar ningún servicio a menos que se recomiende específicamente en las instrucciones de reparación por el usuario y que usted las comprenda y tenga habilidad para efectuarlas.
 11. Desenchufe el cordón de alimentación *antes* de intentar reparar su lavadora.
 12. Guarde los detergentes y otros materiales en un lugar fresco y seco donde los niños no puedan alcanzarlos. Use los aditivos del lavado solamente de acuerdo con las instrucciones del fabricante. Observe todas las advertencias en las etiquetas de los envases.
 13. **No** lave ni seque artículos que están sucios con aceite vegetal o de cocinar. Estos artículos pueden contener un poco de aceite después del lavado. Debido a esto, la tela puede ahumarse o encenderse por sí sola.
 14. **No** use blanqueador de cloro ni amoníaco o ácidos (tales como vinagre o desoxidantes) en el mismo lavado. Se pueden formar vapores peligrosos.
 15. **No** lave en la lavadora materiales de fibra de vidrio. Se pueden pegar partículas en las ropas que se vayan a lavar a continuación y causar irritación a la piel.
 16. Para los acabados de telas resistentes a las llamas - siga cuidadosamente las instrucciones del fabricante de la ropa. El lavado incorrecto puede remover el acabado.
 17. *Antes* de que la lavadora sea puesta fuera de servicio o descartada, retire la puerta del compartimiento del lavado.
 18. Las mangueras de admisión del agua están sujetas a daño y deterioro con el pasar del tiempo. Verifique periódicamente las mangueras para comprobar que no tengan protuberancias, torceduras, cortes, desgaste o escapes y reemplácelas cada cinco años.

CONSERVE ESTAS INSTRUCCIONES

INSTRUCCIONES DE FUNCIONAMIENTO

Las características de control y los estilos varían según el modelo.

Paso 1

COLOCACIÓN DE LA ROPA EN LA LAVADORA

- La tina puede llenarse completamente con ropa seca desdoblada. Sin embargo, **no** es conveniente que la tina quede apretada con ropa.
- Si se coloca demasiada ropa puede afectarse la eficiencia y posiblemente causar pliegues o arrugas en la ropa.
- Cuando lave artículos voluminosos o un par de artículos pequeños que no llenan completamente la tina, tales como una alfombra o dos suéteres, es conveniente agregar unas pocas toallas para mejorar la eficacia de la agitación y del centrifugado.
- Cuando lave ropas que estén extremadamente sucias, es muy importante evitar que se sobrecargue la lavadora a fin de asegurar una buena limpieza.
- Para agregar algún artículo que se ha olvidado, oprima la tecla **'START/PAUSE'** (Puesta en marcha/Pausa), agregue el artículo, cierre la puerta y oprima la tecla **'START/PAUSE'** otra vez. El ciclo se reanudará después de una pausa de 15 a 30 segundos.
- Cierre cuidadosamente la tapa para evitar golpearla.

NOTA: Para asegurar la buena limpieza de los artículos adicionales, para agregarlos **no** espere más de cinco minutos después de que haya comenzado el ciclo.

Paso 2

SELECCIÓN DE CICLOS DE TELA

Oprima la tecla correspondiente al tipo de ropa de lavado. Esto determinará el modelo de agitación/pausa y la rapidez de centrifugado del ciclo.

NOTA: Para reducir a un mínimo las arrugas de las ropas, seleccione **'NO-IRON WEAR'** (Telas que no se arrugan).

'HAND WASH' (Lavado a mano) – Períodos alternos de remojo largo y corto y velocidad de centrifugado lenta. Usar para artículos que deben ser “lavados a mano”.

'DELICATES' (Telas delicadas) – Agitación suave y velocidad de centrifugado lenta. Usar para vestidos/blusas de vestir, medias, ropas transparentes o de encaje.

'NO-IRON WEAR' (Telas que no se arrugan) – Modo de agitación y de centrifugado reducidos para disminuir las arrugas. Usar para camisas/pantalones de vestir, ropas inarrugables, ropas de mezcla de poliéster/algodón.

'COTTON/STURDY' (Algodón-telas fuertes) – Modo de agitación normal y centrifugado a alta velocidad. Usar para toallas, vaqueros, sábanas, manteles, ropa interior, camisetas.

FABRIC CYCLES



INSTRUCCIONES DE FUNCIONAMIENTO (CONT.)

Paso 3

SELECCIÓN DE LAS TEMPERATURAS DEL AGUA DE LAVADO Y DE ENJUAGUE

Oprima la tecla “ \wedge ” o “ \vee ” para seleccionar la temperatura del agua de lavado y la temperatura del agua de enjuague. Siga las instrucciones de la etiqueta del artículo y la tabla siguiente para obtener los mejores resultados.

‘HOT/COLD’ (Caliente/Frío) – Ropa blanca y artículos que no destiñen que estén muy sucios.

‘WARM/WARM’ (Tibio/Tibio) – Artículos que no destiñen. Cuando se selecciona enjuague tibio, solamente el tercer enjuague será tibio. El primer y segundo enjuague serán con agua fría a fin de conservar energía.

‘WARM/COLD’ (Tibio/Frío) – Ropas que no destiñen moderadamente sucias; la mayoría de los artículos inarrugables.

‘COLD/COLD’ (Frío/Frío) – Ropa de colores vivos, ligeramente sucios; lanas lavables.

‘TEMP-ASSURE’ (Calentador del agua) (modelos selectos) – La opción de calor controlado puede usarse con cualquier temperatura de lavado/enjuague para optimar el rendimiento de la limpieza. Cuando está encendido, el calentador del agua ayudará a mantener la temperatura del agua de lavado durante el ciclo de lavado.

IMPORTANTE: La lavadora está equipada con un control automático de la temperatura a fin de proveer un lavado tibio de aproximadamente 40° C (105° F) y un lavado frío de aproximadamente 18° C (65° F).

A medida que la lavadora se está llenando con agua, usted observará que a través del distribuidor pasa agua apenas caliente y/o apenas fría cuando se ha seleccionado temperatura de lavado fría o caliente. Esto es una función normal del control automático de la temperatura ya que la lavadora establece la temperatura del agua.

NOTA: El detergente no se disuelve bien en el agua de lavado con temperatura menor que 18.3° C (65° F), y por lo tanto no limpiará adecuadamente la ropa. Las etiquetas de cuidado de la ropa definen agua fría aquella con una temperatura de hasta 29.4° C (85° F).

WASH/RINSE TEMP



- HOT/COLD
- WARM/WARM
- WARM/COLD
- COLD/COLD



TEMP-ASSURE
CONTROLLED HEATING

Paso 4

SELECCIÓN DEL NIVEL DE SUCIEDAD O CICLOS ESPECIALES

Oprima la tecla correspondiente para seleccionar el nivel de suciedad o ciclos especiales.

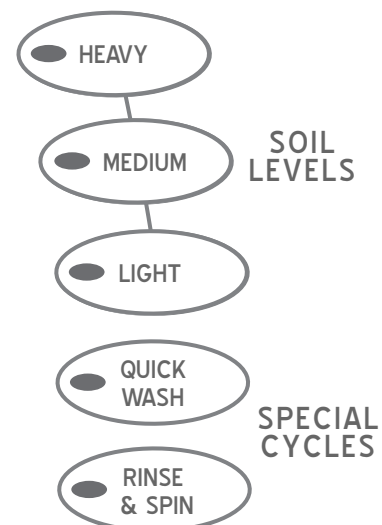
‘HEAVY’ (Muy) – Usar para lavar ropa muy sucia.

‘MEDIUM’ (Intermedia) – Usar para lavar ropa moderadamente sucia. Este ajuste es apropiado para la mayoría de la ropa.

‘LIGHT’ (Suave) – Usar para la ropa levemente sucia.

‘QUICK WASH’ (Lavado rápido) – Este ajuste ofrece un ciclo más corto. Se sugiere usar este ajuste para refrescar ropas recién compradas o ropa que ha estado guardada por mucho tiempo.

‘RINSE & SPIN’ (Enjuague y centrifugado) – Seleccione este ajuste cuando desee enjuagar solamente y después centrifugar.



Paso 5

SELECCIÓN DE OPCIONES

Oprima la(s) tecla(s) apropiada(s) para seleccionar una o más opciones.

'DELAY WASH' (Lavado diferido) – Permite que el comienzo de cualquiera de los ciclos pueda ser comenzado hasta 9 horas después. Haga las selecciones apropiadas para la ropa, luego oprima la tecla **'DELAY WASH'** una vez para una hora de retraso u oprima nuevamente la tecla para aumentar el tiempo de lavado diferido hasta 9 horas en incrementos de una hora.

'STAIN TREAT' (Tratamiento de mancha) – Prolonga la duración del lavado y de los enjuagues para sacar mejor las manchas. Agrega automáticamente un cuarto enjuague.

'PRESOAK' (Preremoyo) – Agrega 15 minutos de mayormente remojo con un mínimo de agitación antes del ciclo normal. Puede ser seleccionado con cualquiera de los ciclos.

'EXTRA RINSE' (Enjuague adicional) – Agrega un cuarto enjuague al final del ciclo para eliminación más completa de los aditivos del lavado y perfumes.

OPTIONS



SELECCIÓN DE OPCIONES DE CENTRIFUGADO/SEÑAL

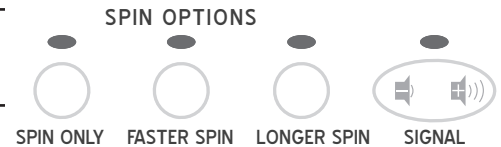
'SPIN ONLY' (Centrifugado solamente) – Para centrifugado solamente.

'FASTER SPIN' (Centrifugado mas rapido) – Use para vaqueros, toallas y ropa de cama. Extrae más agua de las cargas durante el centrifugado.

'LONGER SPIN' (Centrifugado prolongado) – Use para vaqueros, toallas y ropa de cama. Extrae más agua de las cargas durante el centrifugado agregando un minuto al tiempo de centrifugado.

NOTA: Para reducir a un mínimo las arrugas de las telas inarrugables, no se recomienda las opciones 'FASTER SPIN' y 'LONGER SPIN'. **No** coloque demasiada ropa en la lavadora.

'SIGNAL' (Señal) – Oprima la tecla "+" o "-" para aumentar o disminuir el volumen de la SIGNAL de fin de ciclo.



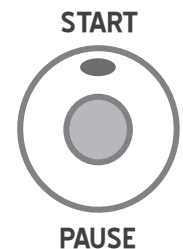
Paso 6

PUESTA EN MARCHA DE LA LAVADORA

- Cierre la puerta.
- Agregue detergente y aditivos en el distribuidor (Ver página 22).
- Oprima la tecla **'START/PAUSE'** (Puesta en marcha/Pausa).
- Cuando la lavadora se pone en marcha después de una pausa, se producirá un retraso de 30 segundos antes de continuar el ciclo.

Si oprime **'OFF'** (Apagado) el ciclo queda cancelado y la lavadora se detiene.

NOTA: Una vez que el ciclo ha terminado, la luz 'DOOR LOCKED' (Puerta bloqueada) se apagará. La puerta puede entonces abrirse fácilmente. **No** intente abrir la puerta de la lavadora cuando la luz 'door locked' esté iluminada. Para agregar un artículo que haya olvidado, ver página 19.



INSTRUCCIONES DE FUNCIONAMIENTO CONT.

DESPLIEGUE DEL TIEMPO ESTIMADO DE LAVADO

Después de oprimir 'START/PAUSE', este indicador mostrará el tiempo estimado de lavado restante del ciclo. El tiempo restante estimado puede variar para indicar mejor el tiempo de lavado que queda en el ciclo.



ESTIMATED TIME

LUCES INDICADORES

'DOOR LOCKED' (Puerta bloqueada) – Esta luz se ilumina cuando la puerta de la lavadora está bloqueada. La puerta puede abrirse oprimiendo la tecla **'START/PAUSE'** para detener la lavadora.



Luces indicadoras de las teclas – Las luces indicadoras que se encuentran sobre las teclas se iluminarán cuando las teclas son oprimadas.

USO DEL AGUA

La cantidad de agua usada variará con cada carga de ropa. La lavadora usa una válvula adaptadora de llenado para proveer la cantidad de agua apropiada para un rendimiento de limpieza eficiente y conservación de agua y energía. El tiempo de llenado variará dependiendo de la presión del agua.

CARACTERÍSTICAS

DETERGENTE

Su lavadora ha sido diseñada para usar ya sea detergentes de alta eficacia (HE) o detergentes regulares usados normalmente en las lavadoras con carga vertical de la ropa.

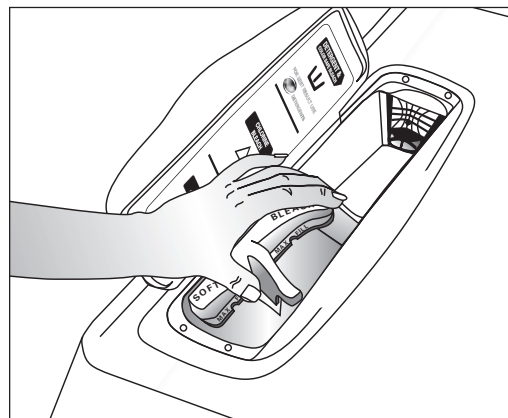


- Para obtener una mejor limpieza, use detergentes de alta eficacia tales como 'Tide HE' o 'Whisk HE*'. Los detergentes de alta eficacia contienen supresores de espuma que reducen o eliminan la espuma. Cuando se produce menos espuma, la ropa se agita mejor y se obtiene una limpieza optimizada.
- Cuando use detergentes regulares formulados para lavadoras con carga vertical de la ropa, es importante prestar cuidadosa atención al nivel de suciedad de la ropa, al tamaño de la carga de ropa y a la dureza del agua*. **Para evitar la formación excesiva de espuma, reduzca la cantidad de detergente usado cuando el agua sea blanda o con las cargas de ropa pequeñas o ligeramente sucias.**

DISTRIBUIDOR AUTOMÁTICO

El distribuidor automático consta de tres compartimientos donde se coloca 1) detergente líquido o granulado y blanqueador para ropa de color, 2) blanqueador con cloro líquido y 3) suavizador de telas líquido. Todos los productos del lavado pueden ser agregados al mismo tiempo en sus respectivos compartimientos. Serán distribuidos en el momento oportuno para una limpieza más eficaz.

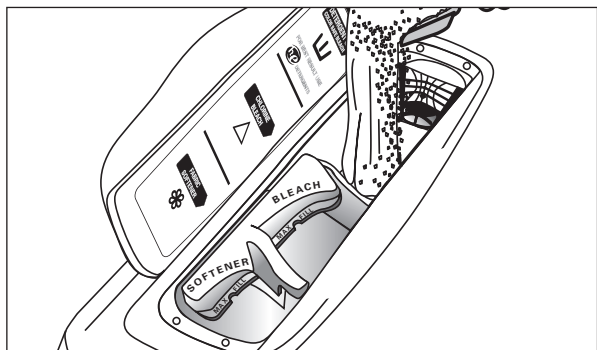
Después de colocar los aditivos del lavado en el distribuidor, cierre la tapa del distribuidor.



CARACTERÍSTICAS

COMPARTIMIENTO DEL DETERGENTE

1. Vacíe la cantidad recomendada del detergente directamente en el compartimiento del detergente *antes* de poner en marcha la lavadora de ropa o a medida que la lavadora se va llenando.
2. Si va a usar blanqueador para ropa de color, debe ser agregado con el detergente en el compartimiento del detergente para obtener mejores resultados.
 - Cuando agregue blanqueador para ropa de color con el detergente, es mejor que *ambos* productos estén en la misma forma: granulados o líquidos.



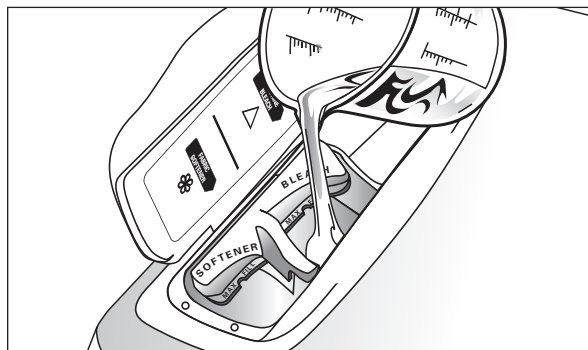
COMPARTIMIENTO DEL BLANQUEADOR

(Blanqueador a base de cloro líquido solamente)

1. Agregue blanqueador a base de cloro líquido en el compartimiento del blanqueador. **No** llene más arriba de la línea 'MAX FILL' (Llenado máximo). El compartimiento del blanqueador a base de cloro tiene capacidad para 3/4 de una taza.
2. Evite las salpicaduras y sobrellenar el compartimiento. **Si se llena demasiado el compartimiento, el blanqueador será distribuido hacia las ropas con demasiada anticipación.**
3. La lavadora distribuye automáticamente el blanqueador en la tina en el momento adecuado durante de la porción de lavado del ciclo.
4. El distribuidor diluye automáticamente el blanqueador a base de cloro líquido antes de que llegue a la ropa.

NOTA:

- **Nunca** vacíe blanqueador a base de cloro líquido no diluido directamente en la ropa o en la tina. Es un producto químico fuerte y puede dañar las telas, debilitando las fibras o causando pérdida de color, si no se usa en forma debida.
- Si prefiere usar blanqueador para ropa de color, sin cloro, agréguelo en el compartimiento del detergente. **No coloque blanqueador para ropas de color en el compartimiento del blanqueador.**

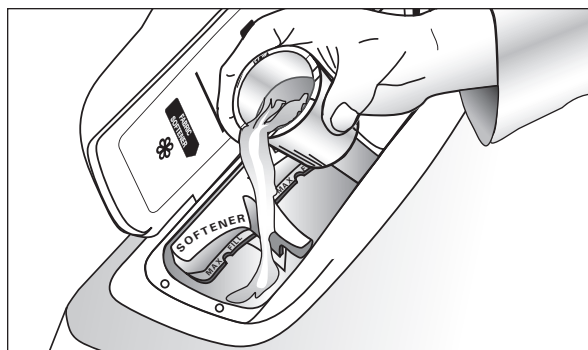


COMPARTIMIENTO DEL SUAVIZADOR DE TELAS

1. Vacíe la cantidad recomendada de suavizador de telas líquido en el compartimiento del suavizador. Para cargas más pequeñas, use menos de una tapa llena.
2. El suavizador de telas debe ser diluido con agua tibia hasta que llegue a la marca 'MAX FILL' en el compartimiento. **No llene más arriba de la línea 'MAX FILL'. Si el compartimiento se llena más arriba de la línea 'MAX FILL', el suavizador de telas será enviado a la tina de la ropa con demasiada anticipación.**
3. Este compartimiento automáticamente diluye y distribuye el suavizador de telas líquido en el momento adecuado durante el ciclo de enjuague.

NOTA:

- Use el compartimiento del suavizador de telas solamente para suavizadores de telas líquidos.
- No se recomienda el uso de 'Downy Ball'* con esta lavadora. No agregará el suavizador de telas en el momento oportuno. Use el distribuidor que se encuentra en la parte superior de la lavadora.



* Los nombres de los productos son marcas registradas de los respectivos fabricantes.

** Para determinar la dureza del agua en su área, póngase en contacto con su compañía de agua potable local o con la oficina de Extensión de la Universidad Estatal de su localidad.

CUIDADO Y LIMPIEZA

Cierre las llaves del agua cuando termine el lavado del día. Esto cerrará el suministro de agua a la lavadora de ropa y evitará la improbable posibilidad de daño a causa de escape de agua. Deje la puerta abierta para permitir que el interior de la lavadora se seque.

Use un paño suave para limpiar todo el detergente, blanqueador u otros derrames que puedan ocurrir.

Limpie lo siguiente como se recomienda:

Panel de control – Limpie con un paño suave y húmedo.

No use polvos abrasivos ni esponjas de limpiar.

No rocíe los limpiadores directamente en el panel.

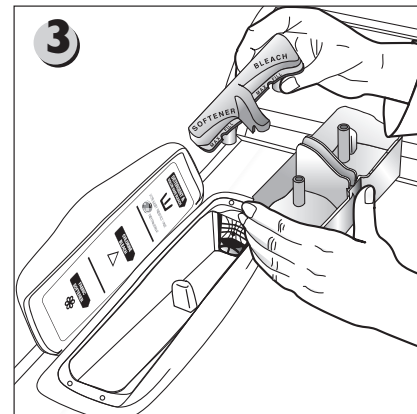
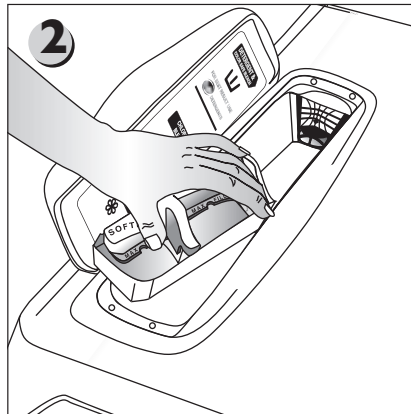
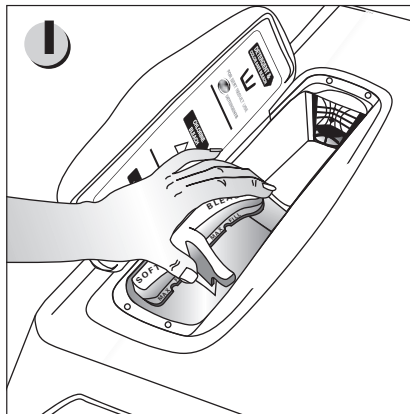
LIMPIEZA DEL INTERIOR

Limpie el interior de la lavadora a menudo para remover cualquier residuo de sucio, manchas, olores, moho o bacterias que puedan quedar en la lavadora como resultado del proceso de limpieza de la ropa. Le recomendamos que siga los pasos siguientes cada 60 a 120 días para limpiar y refrescar el interior de su lavadora. La frecuencia de la limpieza de la lavadora depende de tales factores como el uso, la cantidad de suciedad, tierra o bacterias que pasen por su lavadora, o el uso de agua fría. El incumplimiento de estas instrucciones puede resultar en condiciones insatisfactorias, incluyendo la presencia de olores desagradables y/o manchas permanentes en la lavadora o en la ropa.

LIMPIEZA DEL DISTRIBUIDOR

El distribuidor necesita ser limpiado periódicamente debido a la acumulación de aditivos del lavado. Para una fácil limpieza del distribuidor, sujete el contenedor removible que consta de dos compartimientos (para blanqueador y suavizador) como se muestra a continuación en la ilustración #1. A medida que comienza a levantar el contenedor de dos compartimientos, *incline* ligeramente hacia el interior, de acuerdo con la ilustración #2 y retírelo del distribuidor principal.

NOTA: No use ningún limpiador en el distribuidor principal que no sea agua. Es posible que los agentes de limpieza se escurran hacia dentro de la tina. Si esto sucede, antes de lavar una carga de ropa, programe la lavadora para un ciclo de enjuague y centrifugado para extraer cualquier agente de limpieza de la lavadora antes de hacer un lavado.



Gabinete – Limpie con agua y jabón.

Producto con Protección Antimicrobial

Esta lavadora está equipada con un componente de protección antimicrobial. El sello de goma de la puerta está tratado para ser resistente al moho y a las bacterias que causan mal olor.

Limpieza del interior:

1. Prepare una solución de una taza de blanqueador de cloro y dos tazas de agua tibia. Tenga cuidado de no derramar o salpicar la solución de cloro.
2. Limpie la parte inferior del sello gris de la puerta con un paño suave y la solución a base de blanqueador.
3. Llene el distribuidor del blanqueador con cloro.
4. Haga pasar la lavadora por un ciclo completo usando agua caliente.
5. Repita el ciclo de lavado si es necesario.

Los depósitos de agua dura pueden ser eliminados, si es necesario, usando un limpiador que sea recomendado para uso en lavadoras de ropa.

Una vez que ha retirado el contenedor de dos compartimientos del distribuidor principal, colóquelo en el fregadero. Siga la ilustración #3 para quitar la tapa que cubre el tubo eductor para el blanqueador y suavizador. Haga correr agua tibia y limpie con una escobilla suave o paño las dos piezas para sacar cualquier exceso de aditivos del lavado.

Limpie el área del distribuidor principal usando agua y un paño suave. Una vez que el distribuidor principal esté limpio, siga las instrucciones en el orden inverso para volver a colocar el contenedor de dos compartimientos en su lugar original.

ALMACENAMIENTO DE LA LAVADORA

Las lavadoras pueden dañarse si no se extrae el agua de las mangueras y de los componentes internos antes de guardarlas. Prepare la lavadora para su almacenamiento de la manera siguiente:

- Seleccione los ciclos **'COTTON/STURDY'** (Algodones/ Telas fuertes) y **'QUICK WASH'** (Lavado rápido) y agregue una medida de blanqueador al distribuidor de detergente sin que haya ropas en la tina. Haga funcionar la lavadora durante un ciclo completo de agua caliente.

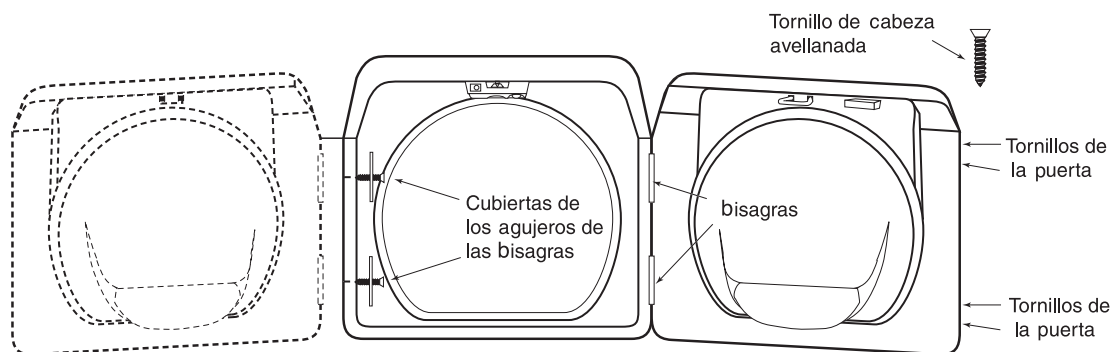
- Cierre las llaves del agua y desconecte las mangueras de admisión del agua.
- Desconecte la lavadora de la fuente de alimentación eléctrica y deje la puerta de la lavadora abierta para que circule el aire en el interior de la tina.
- Si la lavadora ha estado guardada a temperaturas bajo el punto de congelación, espere hasta que el agua que quedó en la lavadora se descongele antes de usar la lavadora.

Para información sobre almacenamiento a largo plazo o almacenamiento de su lavadora en temperaturas extremadamente frías, llame gratuitamente a Maytag Services, LLC al 1-800-688-9900 EE.UU.

INVERSIÓN DE LA PUERTA DE LA LAVADORA

La dirección de apertura de la puerta de la lavadora puede ser invertida usando el procedimiento siguiente:

- 1) Abra completamente la puerta y sujétela a la vez que retira los cuatro tornillos de la bisagra (que sostienen las bisagras en la puerta).
- 2) Lleve la puerta a una superficie de trabajo y cambie cuatro tornillos de color de la puerta al lado opuesto de la puerta.
- 3) Saque un tornillo que sujeta la bisagra superior al gabinete y un tornillo que sujeta la cubierta de la bisagra superior al gabinete (lado opuesto).
- 4) Retire del gabinete la bisagra y el soporte moviéndolos hacia arriba y hacia abajo hasta que se suelten.
- 5) Instale la bisagra y el soporte en su nuevo lugar y asegúrelos firmemente con los tornillos al gabinete.
- 6) Compare la bisagra superior y el soporte superior con la bisagra inferior y el soporte inferior para lograr la correcta instalación de las bisagras.
- 7) Para la bisagra inferior y el soporte inferior repita desde el punto 4 al 6.
- 8) Sujete la puerta en la posición totalmente abierta en el lado de las bisagras e instale cuatro tornillos para asegurar firmemente las bisagras en la puerta.
- 9) Cierre la puerta y verifique si la lavadora funciona bien.



SOLUCIÓN DE PROBLEMAS

VERIFIQUE LO SIGUIENTE SI SU LAVADORA...

Deja la ropa dema-siado húmeda al fin del ciclo

- Seleccione las opciones **'FASTER SPIN'** y **'LONGER SPIN'** (Centrifugado mas rapido y Centrifugado prolongado).
- Use un detergente de alta eficacia para reducir la espuma.
- La carga de ropa es muy pequeña. Las cargas muy pequeñas (uno o dos artículos) pueden quedar desequilibradas y no serán centrifugadas completamente.

Tiene escape de agua

- Asegúrese de que la puerta esté firmemente cerrada.
- Asegúrese de que las conexiones estén herméticamente selladas.
- Asegúrese de que el extremo de la manguera de desagüe esté correctamente insertado y asegurado al medio de desagüe.
- Evite las sobrecargas de ropa.
- Use un detergente de alta eficacia para reducir la espuma.

No centrifuga ni desagua

- Verifique el fusible o reajuste el disyuntor.
- Ponga derechas las mangueras de desagüe. Descarte las mangueras torcidas. Si el desagüe está obstruido, llame a servicio.
- Cierre la puerta y oprima la tecla **'START/PAUSE'** (Puesta en marcha/Parada). Para su seguridad la lavadora no agitará ni centrifugará si la puerta está abierta.
- Después de oprimir la tecla **'START/PAUSE'**, la lavadora demorará 30 segundos en comenzar a centrifugar. La puerta debe estar bien cerrada para que la lavadora pueda centrifugar.
- Ver a continuación *La tina está completamente llena de espuma.*

Se detiene

- Enchufe el cordón en un tomacorriente eléctrico que tenga corriente.
- Verifique el fusible o reajuste el disyuntor.
- Cierre la puerta y oprima la tecla **'START/PAUSE'** para poner en marcha la lavadora. Para su seguridad la lavadora no agitará ni centrifugará si la puerta está abierta.
- Esto puede ser una pausa o período de remojo del ciclo. Espere unos momentos y puede ponerse en marcha nuevamente.
- Revise los filtros de las mangueras de admisión en las llaves para ver si hay obstrucciones. Limpie los filtros periódicamente.

La tina está completamente llena de espuma

- Haga funcionar la lavadora a través de otro ciclo completo usando agua fría.
- Reduzca la cantidad de detergente para ese tamaño específico de carga, para ese nivel de suciedad y para esa dureza del agua.
- Use detergente de alta eficacia o de baja espuma especialmente formulado para lavadoras de carga frontal.

Se llena con la temperatura equivocada del agua

- Abra completamente ambas llaves.
- Asegúrese de que haya seleccionado la temperatura correcta.
- Asegúrese de que las mangueras están conectadas a las llaves correspondientes. Lave con chorro de agua la tubería del agua.
- Verifique el calefactor del agua. Debe estar ajustado para proveer agua caliente de por lo menos 49° C (120° F) en la llave. También verifique la capacidad del calefactor del agua y la velocidad de recuperación.
- Desconecte las mangueras y limpie las mallas filtrantes. Las malla filtrantes pueden estar obstruidas.
- Cuando se selecciona enjuague con agua tibia, solamente el último enjuague será con agua tibia. Los primeros dos enjuagues son con agua fría.
- A medida que la lavadora se llena, la temperatura del agua puede cambiar cuando la característica de control automático de la temperatura verifica la temperatura del agua de admisión. Esto es normal.
- A medida que la lavadora se está llenando con agua, usted observará que a través del distribuidor pasa agua apenas caliente y/o apenas fría cuando se ha seleccionado temperatura de lavado fría o caliente. Esto es una función normal del control automático de la temperatura ya que la lavadora establece la temperatura del agua.

Cont.

VERIFIQUE LO SIGUIENTE SI SU LAVADORA...

No se llena con agua	<ul style="list-style-type: none">• Asegúrese de que la puerta esté firmemente cerrada.• Enchufe el cordón en un tomacorriente eléctrico que tenga corriente.• Verifique el fusible o reajuste el disyuntor.• Oprima la tecla 'START/PAUSE'.• Abra completamente ambas llaves.• Ponga derechas las mangueras de admisión del agua.• Desconecte las mangueras y limpie las mallas filtrantes. Las malla filtrantes pueden estar obstruidas.• Abra y cierre la puerta, luego oprima la tecla 'START/PAUSE'.
No agita	<ul style="list-style-type: none">• Verifique el fusible o reajuste el disyuntor.• Abra y cierre la puerta, luego oprima la tecla 'START/PAUSE'. Para su seguridad la lavadora no agitará ni centrifugará si la puerta está abierta.
Tiene la puerta bloqueada y no se puede abrir	<ul style="list-style-type: none">• Oprima la tecla 'START/PAUSE' para detener la lavadora.• El mecanismo de cierre de la puerta puede demorar algunos pocos momentos en desengancharse.
Necesita ser refrescada	<ul style="list-style-type: none">• Ver la sección <i>Limpieza del interior</i>, página 24.
Hace ruidos	<ul style="list-style-type: none">• La lavadora debe estar nivelada de manera apropiada como se indica en las instrucciones de instalación.• Cerciórese de que las contratuercas de los tornillos niveladores estén apretadas.• Asegúrese de que se hayan instalado los protectores de goma en los tornillos niveladores.• Los pisos débiles pueden causar vibración y movimiento.• Para información sobre los sonidos normales de funcionamiento, consulte la página 29.

Para mayor ayuda, llame gratuitamente a Maytag Services, LLC al 1-800-688-9900 EE.UU.

SOLUCIÓN DE PROBLEMAS CONT.

CÓDIGOS DE AYUDA

Puede que se desplieguen los códigos de ayuda para ayudarle a comprender mejor lo que está ocurriendo en la lavadora.

Símbolo de código	Significado	Solución
do	La lavadora detecta que la puerta está abierta cuando se comienza un ciclo o cuando la puerta no se bloquea.	Cierre bien la puerta y vuelva a comenzar el ciclo.
FL	La lavadora no ha bloqueado la puerta.	Cierre bien la puerta y vuelva a comenzar el ciclo.
SD	Se ha producido exceso de espuma. Si este código desaparece, el ciclo de recuperación de espuma tuvo éxito.	Reduzca la cantidad de detergente usado para esa carga específica.
PF	La lavadora estuvo sometida a una falla de alimentación eléctrica.	Vuelva a comenzar el ciclo. Si el código todavía está desplegado, verifique si el cordón eléctrico está firmemente enchufado.
nd	La lavadora tuvo dificultad para desaguar.	Verifique si la manguera de desagüe está torcida. Verifique si el tubo vertical está obstruido.
LO	La lavadora trató repetidamente de desbloquear la puerta pero no pudo hacerlo.	Asegúrese de que la puerta esté firmemente cerrada. Oprima la tecla 'OFF' (Apagado) y luego espere <i>dos</i> minutos para que la puerta se desbloquee. ○ Desenchufe la lavadora durante <i>dos</i> minutos y vuelva a enchufarla.
Lr	El motor no funciona de manera correcta.	Solicite servicio. Ver abajo.
nf	La lavadora trató de llenarse con agua.	Asegúrese de que los grifos del agua estén bien abiertos. Verifique si alguna manguera está torcida.
od	Se debe abrir la puerta de la lavadora.	Esta es una característica de seguridad. La puerta debe abrirse antes de comenzar otro ciclo.

Para cualquier código que no aparezca en la tabla anterior, llame gratuitamente a Maytag Services, LLC al 1-800-688-9900 EE.UU.

SONIDOS NORMALES DE FUNCIONAMIENTO

SONIDOS NORMALES DE FUNCIONAMIENTO DE SU LAVADORA

Sonido agudo durante un ciclo de centrifugado.

El motor aumenta la velocidad para agitar la tina y extraer la humedad de la ropa.

Sonido de agua saliendo proveniente del área del distribuidor.

El detergente es distribuido al comienzo del ciclo. El blanqueador es distribuido en el momento adecuado del lavado. El suavizador de telas es distribuido durante el tercer enjuague cuando la lavadora se está llenando de agua.

Sonido como gorgoteo o chapoteo de agua cuando el agua está cerrada y la tina es girada.

El anillo compensador sellado alrededor de la tina contiene un líquido y ha sido diseñado para que la lavadora agite suavemente.

Sonido como zumbido o chapoteo seguido de una pausa, repetido a través de todo el ciclo de lavado.

La tina gira en una dirección seguida de una pausa. La tina invierte la dirección y hace una pausa. Esta acción continúa a través de todo el ciclo.

La lavadora de ropa mantiene una **velocidad ligeramente reducida** después de alcanzar una velocidad de agitación más alta.

Después de alcanzar la velocidad máxima de centrifugado, la lavadora puede reducir levemente la velocidad de centrifugado para un mejor rendimiento.

La velocidad de agitación **se reduce dramáticamente** cuando suena como una carga desequilibrada.

La tina comenzará a acelerar la velocidad, luego la reduce para redistribuir la carga más uniformemente cuando se presenta una carga desequilibrada.

Se agrega agua después de que la lavadora ha estado agitando por un rato.

La lavadora usa una válvula adaptadora de llenado y agrega más agua durante el ciclo de lavado según sea necesario.



El agua fluye a través del distribuidor para diluir y agregar blanqueador o suavizador de telas en el momento apropiado. Esto sucederá aun si no se usa blanqueador ni suavizador de telas.

Sonidos como chasquidos/desagüe cuando la lavadora se pone en marcha.

Antes de que la lavadora comience a llenarse, hará una serie de ruidos como chasquidos para verificar el cierre de la puerta y hacer un desagüe rápido.

PREGUNTAS Y RESPUESTAS

P. ¿Cuál es el mejor ciclo si tengo manchas en mi ropa de lavar?

R. Seleccione **'STAIN TREAT'** (Tratamiento de mancha), el tiempo de lavado **'HEAVY'** (Muy) ver página 20-21. Trate las manchas con un producto para pretratamiento de manchas.

P. ¿Cuán grande puede ser la carga de ropa que puedo lavar en mi lavadora?

R. La tina puede llenarse completamente con ropas secas, desdobladas. Sin embargo, **no** es conveniente que la tina quede apretada con ropa.

P. Al final del ciclo la ropa sale más húmeda que lo normal. ¿Cuál es la causa?

R. Durante la agitación y centrifugación la lavadora puede haber tenido dificultad en llegar a la velocidad plena de centrifugado porque la ropa no estaba bien distribuida. Esto puede ocurrir con cargas pequeñas, artículos pesados o con una carga en la que se usó demasiado detergente, causando demasiada espuma.

P. La ropa parece quedar muy arrugada al final del ciclo. ¿Cómo puedo corregir este problema?

R. Las arrugas son causadas por la combinación de calor y presión. Asegúrese de que las telas etiquetadas inarrugable o planchado permanente sean lavadas en el ciclo **'NO IRON WEAR'** (Telas que no se arrugan) y que se use un enjuague frío. (Ver página 20 para la *Temperaturas del agua de lavado y de enjuague*). **NO USE EL OPCIONES FASTER SPIN O LONGER SPIN** (Centrifugado mas rapido o Centrifugado prolongado).

P. Mi ropa blanca no sale tan blanca como a mí me gustaría. ¿Qué puedo hacer?

R. Lave la ropa blanca usando el ciclo **'COTTON/STURDY'** (Algodón/Telas fuertes). Seleccione el ajuste de temperatura **HOT/COLD** (Caliente/Frío) y añada 3/4 de taza de blanqueador a base de cloro en el distribuidor del blanqueador. El blanqueador será distribuido en el momento adecuado del lavado contribuyendo a un blanqueado óptimo. Se recomienda temperatura entre 49° - 60° C (120 - 140° F) para un lavado con agua caliente.

GARANTÍA DE LOS ELECTRODOMÉSTICOS PRINCIPALES DE AMANA®

GARANTÍA LIMITADA DE UN AÑO

Durante un año a partir de la fecha de compra, siempre y cuando se dé a este electrodoméstico principal un uso y mantenimiento de conformidad con las instrucciones adjuntas o provistas con el producto, la marca Amana de Maytag Corporation o Maytag Limited (en lo sucesivo denominada "Amana") se hará cargo del costo de las piezas de repuesto especificadas de fábrica y del trabajo de reparación para corregir defectos en los materiales o en la mano de obra. El servicio deberá ser suministrado por una compañía de servicio designada por Amana. Esta garantía limitada se aplica sólo cuando el electrodoméstico principal se use en el país en donde se compró.

AMANA NO PAGARÁ POR LOS SIGUIENTES ARTÍCULOS

1. Visitas de servicio técnico para corregir la instalación de su electrodoméstico principal, para enseñarle a usar su electrodoméstico principal, para cambiar o reparar fusibles domésticos o para corregir la instalación eléctrica o de la tubería de la casa.
2. Visitas de servicio técnico para reparar o reemplazar focos para electrodomésticos, filtros de aire o filtros de agua. Esos insumos están excluidos de la cobertura de la garantía.
3. Reparaciones cuando su electrodoméstico principal se use de un modo diferente al doméstico normal de una familia.
4. Daños causados por accidente, alteración, uso indebido, abuso, incendio, inundación, actos fortuitos, instalación incorrecta, instalación que no esté de acuerdo con los códigos eléctricos o de plomería, o el empleo de productos no aprobados por Amana.
5. Cualquier pérdida de comida debido a fallas del refrigerador o del congelador.
6. Piezas de repuesto o gastos de reparación para electrodomésticos que se empleen fuera de los Estados Unidos o Canadá.
7. Recogida y entrega. Este electrodoméstico principal está diseñado para ser reparado en el hogar.
8. Reparaciones de piezas o sistemas como resultado de modificaciones no autorizadas que se hayan efectuado en el electrodoméstico.
9. Gastos de viaje y transporte para obtener servicio del producto en lugares remotos.
10. La remoción e instalación de su electrodoméstico si estuviera instalado en un lugar inaccesible o si no estuviera instalado de conformidad con las instrucciones de instalación publicadas.
11. Piezas de repuesto o gastos de reparación cuando el electrodoméstico principal se use en un país diferente del país en donde se compró.

EXCLUSIÓN DE GARANTÍAS IMPLÍCITAS; LIMITACIÓN DE RECURSOS

EL ÚNICO Y EXCLUSIVO RECURSO DEL CLIENTE SEGÚN LOS TÉRMINOS DE ESTA GARANTÍA LIMITADA SERÁ EL DE REPARAR EL PRODUCTO SEGÚN SE ESTIPULA EN LA PRESENTE. LAS GARANTÍAS IMPLÍCITAS, INCLUYENDO LAS GARANTÍAS DE COMERCIABILIDAD O DE CAPACIDAD PARA UN PROPÓSITO PARTICULAR, SERÁN LIMITADAS A UN AÑO O AL PERÍODO MÁS CORTO PERMITIDO POR LEY. AMANA NO SE RESPONSABILIZARÁ POR DAÑOS INCIDENTALES O CONSECUENTES. ALGUNOS ESTADOS Y PROVINCIAS NO PERMITEN LAS EXCLUSIONES O LIMITACIONES POR DAÑOS INCIDENTALES O CONSECUENTES, O LIMITACIONES ACERCA DE CUÁNTO DEBE DURAR UNA GARANTÍA IMPLÍCITA DE COMERCIABILIDAD O CAPACIDAD, DE MODO QUE LAS LIMITACIONES O EXCLUSIONES ARRIBA MENCIONADAS PUEDEN NO APLICARSE EN SU CASO. ESTA GARANTÍA LE OTORGA DERECHOS LEGALES ESPECÍFICOS Y ES POSIBLE QUE USTED TENGA TAMBIÉN OTROS DERECHOS QUE PUEDEN VARIAR DE UN ESTADO A OTRO O DE UNA PROVINCIA A OTRA.

Esta garantía no tiene vigor fuera de los cincuenta Estados Unidos y Canadá. Póngase en contacto con el distribuidor autorizado de Amana para determinar si corresponde otra garantía.

Si necesita servicio, consulte primero la sección "Solución de problemas" del Manual de uso y cuidado. Después de consultar la sección "Solución de problemas", puede encontrar ayuda adicional en la sección "Ayuda o servicio técnico," o llamando a Amana. En los EE.UU., llame al **1-800-688-9900**. En Canadá, llame al **1-800-688-2002**.

**MAYTAG and the "M" Symbol are registered trademarks of Maytag Limited.
All other marks are trademarks of Maytag Corporation or its related companies.**

**MAYTAG et le symbole "M" sont des marques de commerce déposées de Maytag Limited.
Toutes les autres marques de commerce appartiennent à Maytag Corporation ou ses filiales ou sociétés affiliées.**

**MAYTAG y la "M" son marcas registradas de Maytag Limited.
Todas las otras marcas son propiedad de Maytag Corporation ou ses filiales ou sociétés affiliées.**