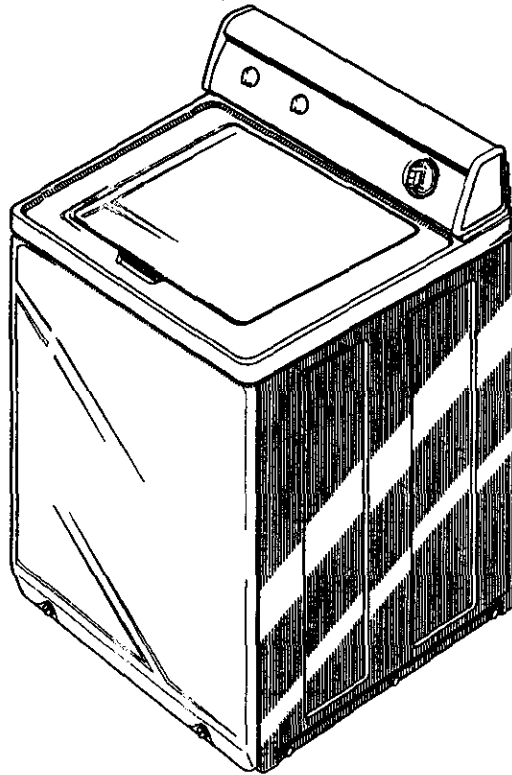


Service

Manual for Automatic Washers

Service Manual for
Amana®



W424SE1A

This manual is to be used by qualified appliance technicians only. Amana does not assume any responsibility for property damage or personal injury for improper service procedures done by an unqualified person.

Amana

Models and manufacturing numbers in this manual

LWA50AL	PLWA50AL
LWA50AW	PLWA50AW
LWA65AL	PLWA65AL
LWA65AW	PLWA65AW
LWA90AL	PLWA90AL
LWA90AW	PLWA90AW
LWD67AL	PLWD67AL
LWD67AW	PLWD67AW
LWD70AL	PLWD70AL
LWD70AW	PLWD70AW

RS3100006
Revision 1
39011
April 1999



WARNING

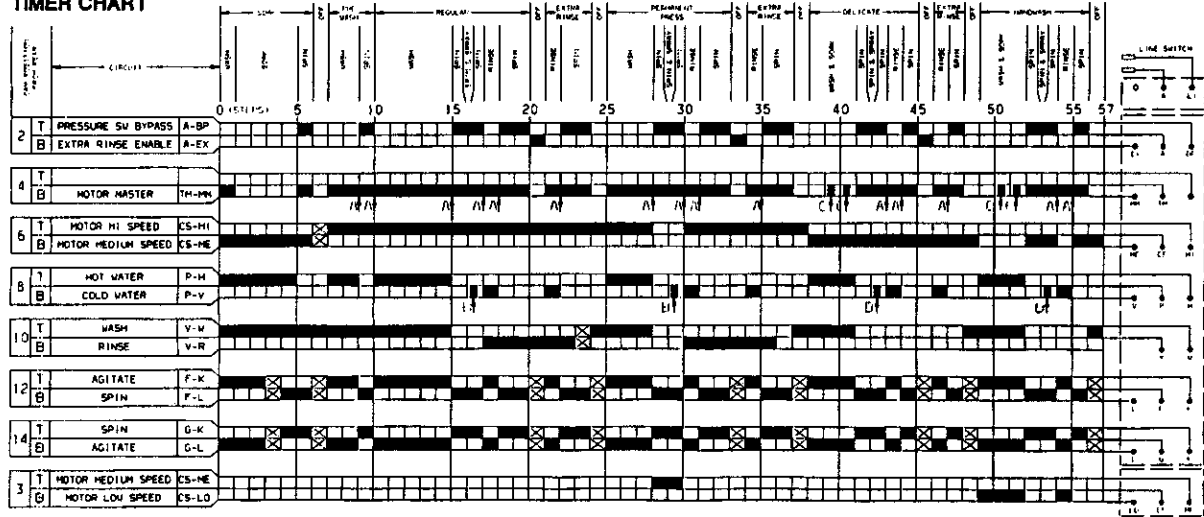
Failure to install, maintain, and/or operate this machine according to the manufacturer's instructions may result in conditions which can produce bodily injury and/or property damage.

W030

MODELS LWD70A*

11-9

TIMER CHART



KEY

- "A" MOTOR OFF APPROX. 24 SECONDS
- "B" WATER ON APPROX. 24 SECONDS
- "C" MOTOR ON APPROX. 24 SECONDS
- "D" WATER ON APPROX. 22 SECONDS
- ONE STEP EQUALS APPROX. 180 DEG

WIRE HOUSING WIRE POSITION

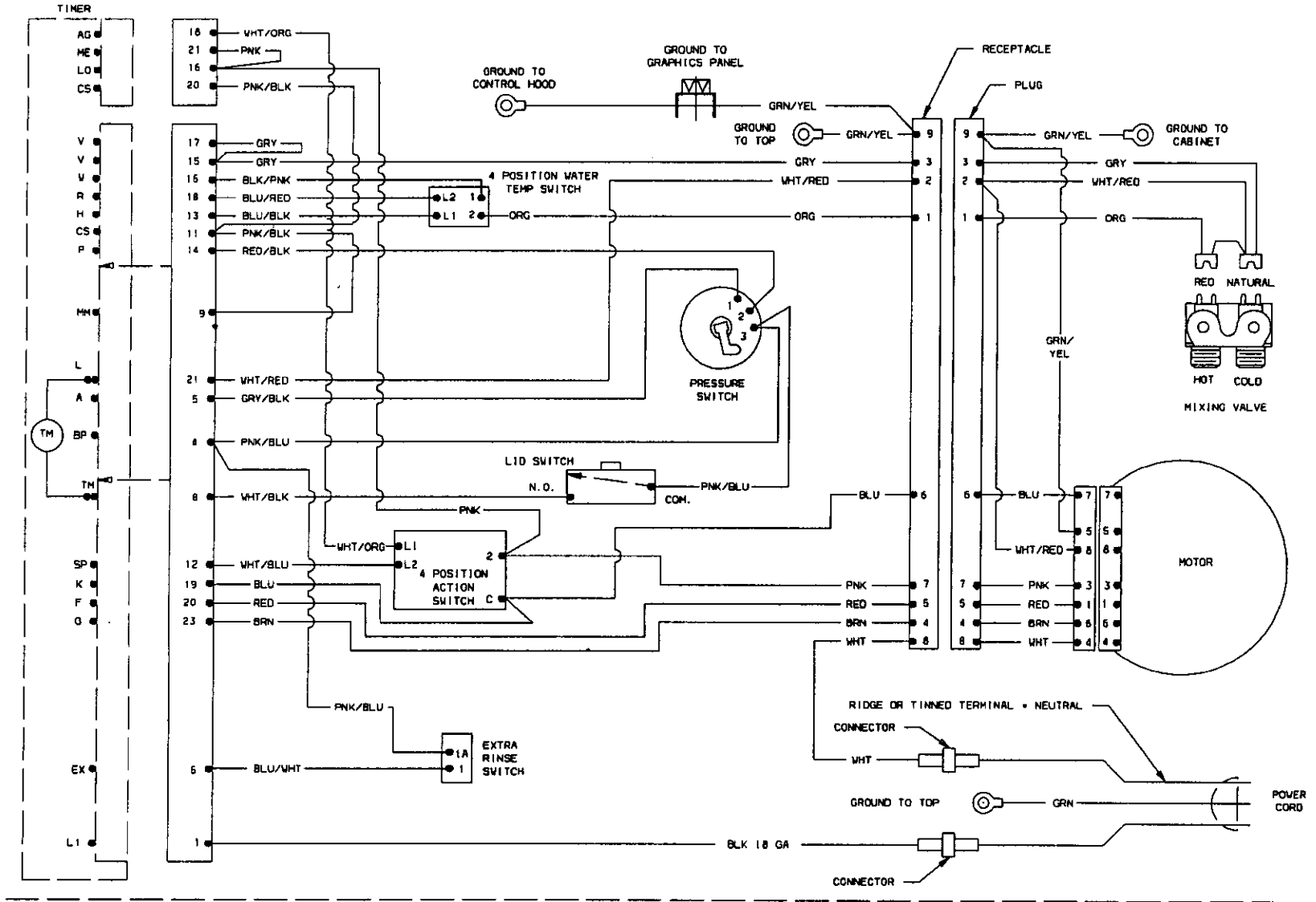
1	2	3
4	5	6
7	8	9
10	11	12
13	14	15
16	17	18
19	20	21
22	23	24
25	26	27
28	29	30
31	32	33
34	35	36
37	38	39
40	41	42
43	44	45
46	47	48
49	50	51
52	53	54
55	56	57
58	59	60

THIS MACHINE WHEN REPAIRED UNDER THE 60 MIN. IN THE FOLLOWING PATENT: UNITED STATES NO. 4,244,274; 3,846,795; 3,846,796; 3,846,797; 3,846,798; 3,846,799; 3,846,800; 3,846,801; 3,846,802; 3,846,803; 3,846,804; 3,846,805; 3,846,806; 3,846,807; 3,846,808; 3,846,809; 3,846,810; 3,846,811; 3,846,812; 3,846,813; 3,846,814; 3,846,815; 3,846,816; 3,846,817; 3,846,818; 3,846,819; 3,846,820; 3,846,821; 3,846,822; 3,846,823; 3,846,824; 3,846,825; 3,846,826; 3,846,827; 3,846,828; 3,846,829; 3,846,830; 3,846,831; 3,846,832; 3,846,833; 3,846,834; 3,846,835; 3,846,836; 3,846,837; 3,846,838; 3,846,839; 3,846,840; 3,846,841; 3,846,842; 3,846,843; 3,846,844; 3,846,845; 3,846,846; 3,846,847; 3,846,848; 3,846,849; 3,846,850; 3,846,851; 3,846,852; 3,846,853; 3,846,854; 3,846,855; 3,846,856; 3,846,857; 3,846,858; 3,846,859; 3,846,860; 3,846,861; 3,846,862; 3,846,863; 3,846,864; 3,846,865; 3,846,866; 3,846,867; 3,846,868; 3,846,869; 3,846,870; 3,846,871; 3,846,872; 3,846,873; 3,846,874; 3,846,875; 3,846,876; 3,846,877; 3,846,878; 3,846,879; 3,846,880; 3,846,881; 3,846,882; 3,846,883; 3,846,884; 3,846,885; 3,846,886; 3,846,887; 3,846,888; 3,846,889; 3,846,890; 3,846,891; 3,846,892; 3,846,893; 3,846,894; 3,846,895; 3,846,896; 3,846,897; 3,846,898; 3,846,899; 3,846,900; 3,846,901; 3,846,902; 3,846,903; 3,846,904; 3,846,905; 3,846,906; 3,846,907; 3,846,908; 3,846,909; 3,846,910; 3,846,911; 3,846,912; 3,846,913; 3,846,914; 3,846,915; 3,846,916; 3,846,917; 3,846,918; 3,846,919; 3,846,920; 3,846,921; 3,846,922; 3,846,923; 3,846,924; 3,846,925; 3,846,926; 3,846,927; 3,846,928; 3,846,929; 3,846,930; 3,846,931; 3,846,932; 3,846,933; 3,846,934; 3,846,935; 3,846,936; 3,846,937; 3,846,938; 3,846,939; 3,846,940; 3,846,941; 3,846,942; 3,846,943; 3,846,944; 3,846,945; 3,846,946; 3,846,947; 3,846,948; 3,846,949; 3,846,950; 3,846,951; 3,846,952; 3,846,953; 3,846,954; 3,846,955; 3,846,956; 3,846,957; 3,846,958; 3,846,959; 3,846,960; 3,846,961; 3,846,962; 3,846,963; 3,846,964; 3,846,965; 3,846,966; 3,846,967; 3,846,968; 3,846,969; 3,846,970; 3,846,971; 3,846,972; 3,846,973; 3,846,974; 3,846,975; 3,846,976; 3,846,977; 3,846,978; 3,846,979; 3,846,980; 3,846,981; 3,846,982; 3,846,983; 3,846,984; 3,846,985; 3,846,986; 3,846,987; 3,846,988; 3,846,989; 3,846,990; 3,846,991; 3,846,992; 3,846,993; 3,846,994; 3,846,995; 3,846,996; 3,846,997; 3,846,998; 3,846,999; 3,847,000.

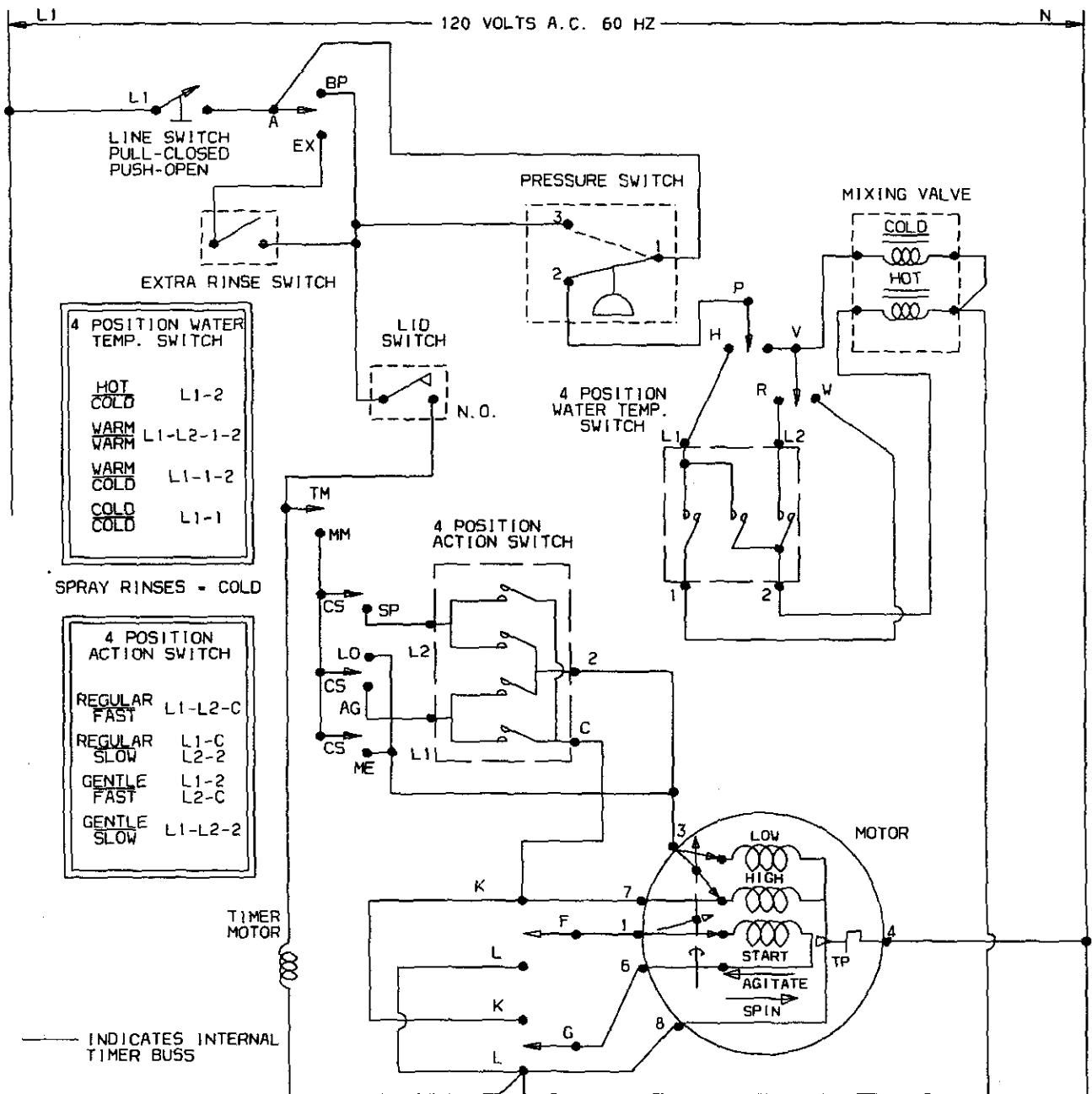
MODELS LW65A*, LW67A*

11-10

CONNECTION DIAGRAM



SCHEMATIC



WARNING

Failure to install, maintain, and/or operate this machine according to the manufacturer's instructions may result in conditions which can produce bodily injury and/or property damage.

W030

MODELS LWA65A*, LWD67A*

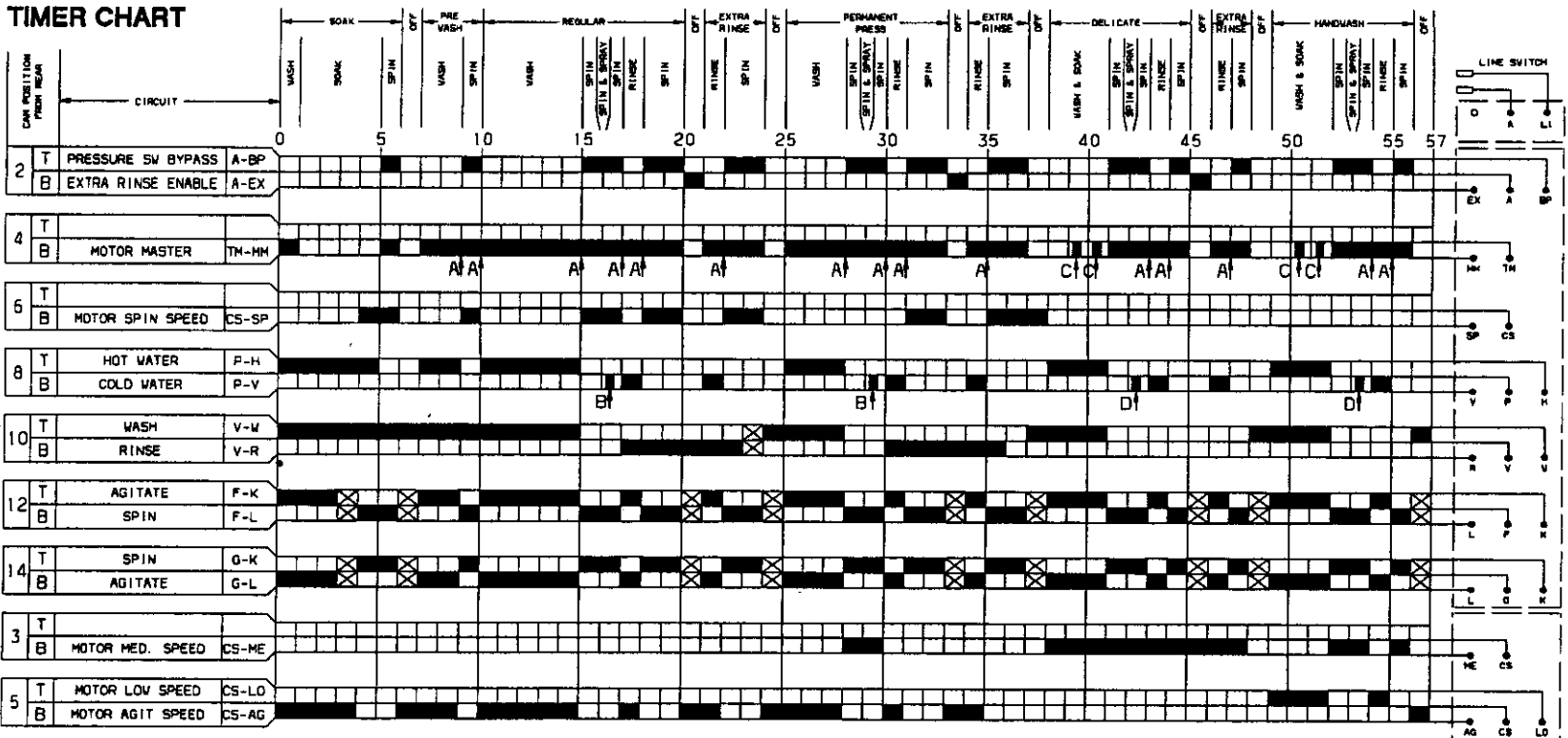
11-11

RS310006 (39011)
Rev. 0

MODELS LVA65A*, LWD67A*

11-12

TIMER CHART



BLACK HOUSING WIRE POSITION

3	2	1
BLU/ WHT	GRY/ BLK	BLK
5	4	
BLU/ WHT	PNK/ BLU	
9	8	7
PNK/ BLK	WHT/ BLK	
12	11	10
WHT/ BLU	PNK/ BLK	
15	14	13
GRY	RED/ BLK	BLU/ BLK
16	17	18
BLU/ RED	GRY	PNK/ BLK
21	20	19
WHT/ RED	RED	BLU
24	23	22
	BRN	
21	20	19
PNK	PNK/ BLK	
16	17	18
WHT/ GRN		PNK

WHITE HOUSING WIRE POSITION

- NOTES:
- *A MOTOR OFF APPROX. 24 SECONDS
 - *B MOTOR ON APPROX. 24 SECONDS
 - *C MOTOR ON APPROX. 24 SECONDS
 - *D MOTOR ON APPROX. 22 SECONDS
 - *E MOTOR ON APPROX. 1.80 SEC

▲ WARNING
 FAILURE TO FOLLOW THE SAFETY INSTRUCTIONS may result in personal injury or property damage.

THIS MACHINE MANUFACTURED UNDER ONE OR MORE OF THE FOLLOWING PATENTS:
 UNITED STATES NO. 3,253,974,
 3,828,795; 3,646,648
 CANADIAN NO. 1,009,285,
 994,148
 OTHER PATENTS PENDING

- CONTACTS OPEN
 - CONTACTS CLOSED
 - CONTACTS CAN BE OPEN OR CLOSED
- NOTE: CS-ME AND CS-LO CONTACTS BOTH CONNECT TO LOW SPEED MOTOR WINDINGS ON THIS MODEL.

PART NO. 39818

Notes

