



24" TRIMFIT™ LAUNDRY CENTER

White on White – 26-88752
Almond on Almond – 26-88754
White on White – 26-98752



TrimFit™—240/208 Volt Electric

26-88752 – White on White
26-88754 – Almond on Almond
Gas
26-98752 – White on White

- 24 inches wide
- 1.5 cu. ft. Washer, 2-speed
- 9 wash cycles
- Dual-Action® agitator
- 3.4 cu. ft. Dryer
- 7 drying cycles, 4 temperatures
- Auto Dry

F E A T U R E S

| Color Selection | | |
|-----------------|------------------|-----------|
| Electric Dryer: | White on White | 26-88752 |
| | Almond on Almond | 26-88754 |
| Gas Dryer: | White on White | 26-98752† |

| Washer Features | |
|---------------------------|----------------|
| Basket Volume (Cu. Ft.) | 1.5 |
| Number of Speeds | 2 |
| Cycle Selections: | 9 |
| Heavy Duty | ■* |
| Permanent Press | ■** |
| Knit/Delicate | ■ |
| Soak | ■ |
| Pre-Wash | Manual |
| Wash/Rinse Temperatures | 4 |
| Water Level Selections | Variable |
| Dual-Action® Agitator | ■ |
| Self-Cleaning Lint Filter | ■ |
| Basket Construction | Spreckle/Porc. |
| Leveling Legs | 4 |
| Motor H.P. | 1/2 |

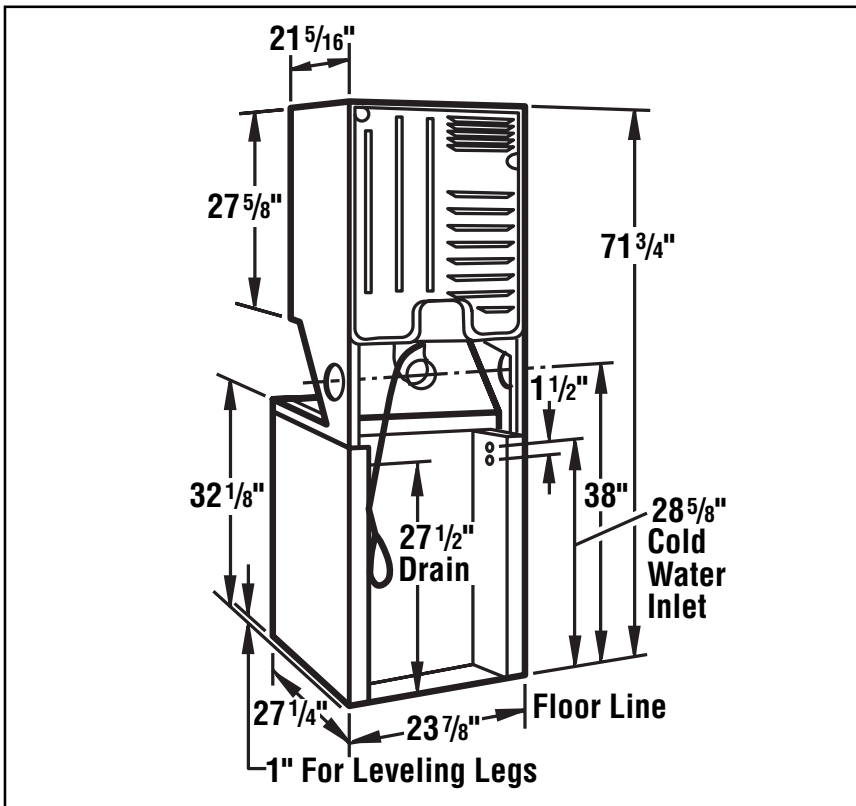
| Dryer Features | |
|--------------------------------|-----------|
| Capacity (Cu. Ft.) | 3.4 |
| Cycle Selections: | 7 |
| Perm Press/Normal/Regular | ■ |
| Knit/Delicate | ■ |
| Timed Dry | ■ |
| Touch-Up | ■ |
| Air Dry | ■ |
| Temperature Selections | 4 |
| Adjustable End-of-Cycle Signal | ■ |
| Auto Dry | ■ |
| Push/Turn-to-Start Button | ■ |
| Internal Lint Filter | ■ |
| 180 Degree Side Swing Door | ■ |
| White Epoxy-Coated Drum | ■ |
| Interior Finish | ■ |
| Motor H.P. | 1/4 |
| Venting | 4-Way |
| 4-Way Venting Kit | 22-279823 |
| Shipping Weight (Approx. Lbs.) | 276 |

| Washer/Electric Dryer: | |
|-----------------------------|--------------|
| Voltage | 240 |
| Watts | 3,000 |
| Hz/Amps (Breaker/Fuse Size) | 60/30 |
| Power Cord | Not Included |

| Washer/Gas Dryer: | |
|-------------------------|-----------|
| BTU/120 Voltage | 10,500 |
| Volts/Hz/Amps | 120/60/20 |
| L.P. Gas Conversion Kit | 26-49573 |

| Warranty | |
|--|---------|
| Full 1-Year Warranty – Mechanical and Electrical Parts | In Home |

*3 Selections - Super, Regular and Short
 **3 Selections - Regular, Gentle and Short
 †Gas connector attached Porc. = Porcelain



See written warranty or your Account Manager for details



Listed by Underwriters Laboratories

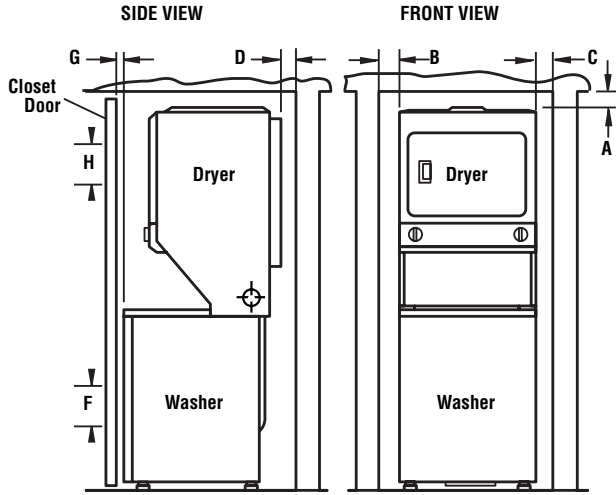
See reverse side for additional information



24" TRIMFIT™ LAUNDRY CENTER

White on White – 26-88752
Almond on Almond – 26-88754
White on White – 26-98752

CLOSET INSTALLATION



MINIMUM SPACING IN INCHES

| RECESSED INSTALLATION | A | B | C | D | F | G | H |
|-----------------------|---|---|---|---|---|---|---|
| INSIDE VENT | 4 | 0 | 4 | 1 | | | |
| OUTSIDE VENT | 1 | 0 | 0 | 1 | | | |

| CLOSET INSTALLATION | A | B | C | D | F | G | H |
|---------------------|---|---|---|---|------------|---|------------|
| OUTSIDE VENT | 1 | 0 | 0 | 1 | 60 SQ. IN. | 1 | 60 SQ. IN. |

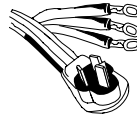
When the Laundry Center is installed in other than the recessed and closet type of installation shown, minimum dimensions indicated must be observed.

To prevent large amounts of lint and moisture from accumulating and to maintain drying efficiency, this appliance must be vented outdoors.

OPTIONAL POWER CORDS

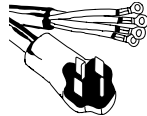
26-2643, 26-2663

26-2644, 26-2664



All Electric Dryers Require Cord Electric Dryer Cords

| Order | Wire | Length |
|----------|------|--------|
| 26-2643 | 3 | 4 ft. |
| 26-2663 | 3 | 6 ft. |
| 26-2644* | 4 | 4 ft. |
| 26-2664* | 4 | 6 ft. |



*Complies with 1/1/96 NEC code revision for new construction and remodeling

VENTING INFORMATION

| NUMBER OF 90° TURNS | VENT HOOD TYPE | | | |
|---------------------|----------------|--------|--------|--|
| | 4" | 4" | 2 1/2" | |
| 0 | 36 ft. | 34 ft. | 29 ft. | MAXIMUM LENGTH OF 4" DIAMETER RIGID HEAVY METAL VENT |
| 1 | 26 ft. | 24 ft. | 20 ft. | |
| 2 | 16 ft. | 14 ft. | 12 ft. | MAXIMUM LENGTH OF 4" DIAMETER FLEXIBLE METAL VENT |
| 0 | 22 ft. | 21 ft. | 16 ft. | |
| 1 | 16 ft. | 15 ft. | 10 ft. | |
| 2 | 8 ft. | 7 ft. | 2 ft. | |

DRYER VENTING RECOMMENDATIONS

4" Clearance Behind the Dryer is Preferred for Best Airflow.
2" Clearance is Achieved With Periscopes.

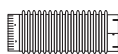
Recommended wall vent hole location: top of hole 36" from floor, centered behind dryer.

4" Clearance Behind Dryer

26-49900 — Over-The-Top™ Kit
 Universal solution, 8 foot length



26-49608 — Flexible Pipe
 4" x 6' with snap-lock fittings
 90° turn takes 1 foot length and 6" clearance

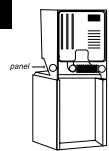


26-49609 — Close Elbow
 Turns 90° within 4"
 Rotating collars and snap-lock fittings



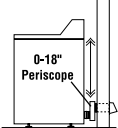
Laundry Centers

Use 26-49608 Flexible Pipe



2" Clearance Behind Dryer

26-49908 — Periscope 0-18"
 For outlets which overlap or are very close



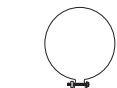
26-49904 — Periscope 18-29"
 Reaches side of most dryers

26-49905 — Periscope 29-50"
 Reaches top of most dryers

Clamps are recommended for wall and dryer connections. Steel clamps designed to resist stretching, with phillips/hex head screw are included one each on elbows and periscopes.

26-98379 — VENT HOOD

Aluminum body and plastic molded hood with a 4" opening.



4-WAY VENTING KIT
 Available Through
Sears Parts & Service
1-800-225-2864

26-279818 – White, 26-279819 – Almond,
 26-279820 – Black

Gas Dryer Connector – Stainless Steel

| | |
|-----------|-------------------------|
| 26-49589 | 1/2" - 3/8" Flex, 5 ft. |
| 26-49584* | 3/8" - 3/8" Flex, 5 ft. |

*Los Angeles only

IMPORTANT NOTE ON DRYER VENTING

Do not use non-metal flexible duct. When installing the venting system, do not exceed the specified length for the vent duct. Venting systems which are longer than specified will accumulate lint, increase drying time and energy use and shorten the life of the dryer.

